



Illustrated Parts Manual

Models
E450A/
E450AJ
M450AJ

SN 0300189898
to Present

Includes SN 0300185900
and SN 0300186011

P/N
3121649

July 3, 2014

ANSI

CE

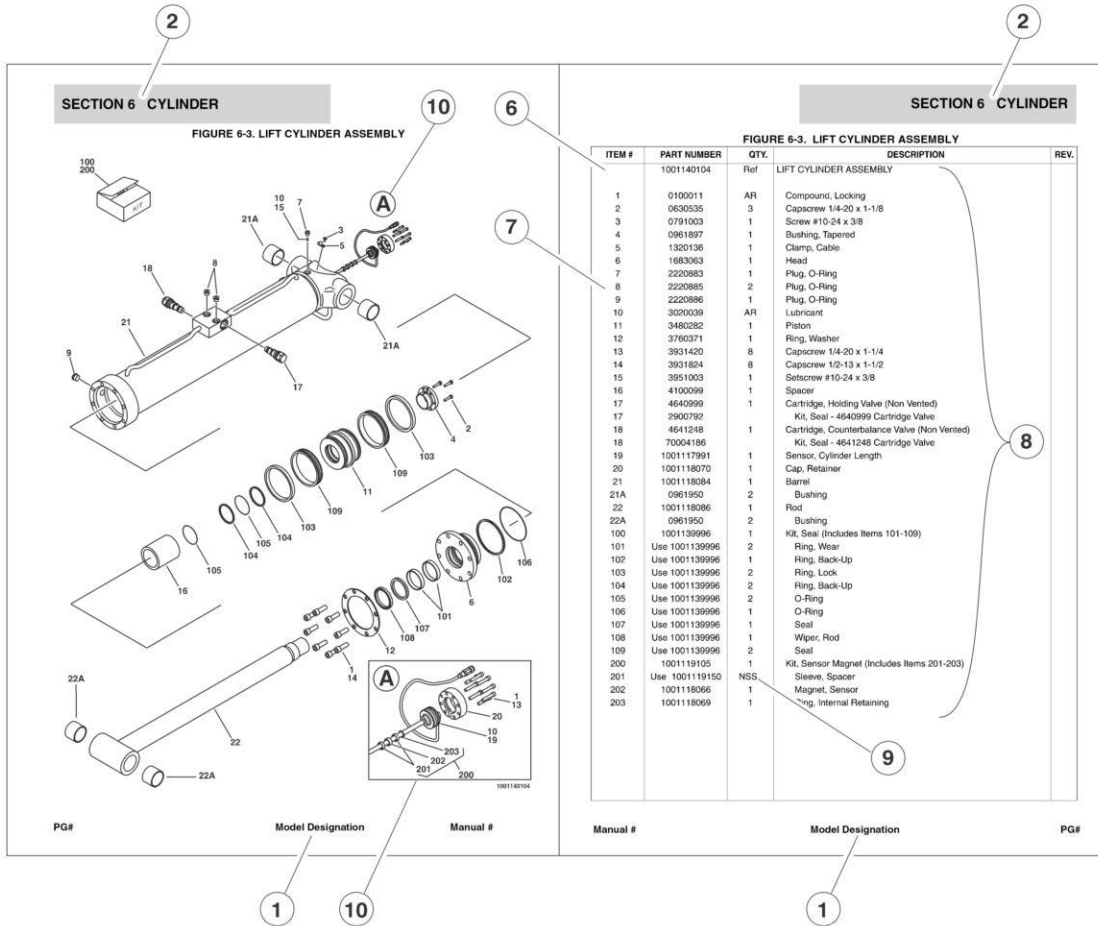


An Oshkosh Corporation Company

REVISION LOG

July 3, 2014 - Original Issue Of Manual (Edit to B/M 1001164636 Revision C)

GENERAL INFORMATION



1) MACHINE IDENTIFICATION

Machines are identified by model & in some cases a combination of model, serial number (SN) or regional standard (i.e. ANSI CE, CSA). Components may also be identified by SN or manufacturer. Common components that may be identified by these characteristics are engines & hydraulic components.

2) PARTS MANUAL ORGANIZATION

Product information in this manual is organized under section titles. Frame, Cylinder, Hydraulic & Electrical are a few examples. Each section is organized by figure & page number. The information within the Figure is then organized by item number, part number, description & corresponding illustration(s).

3) TABLE OF CONTENTS

A table of contents is found toward the beginning of the manual. Figure number, description & page number are provided for quick reference to the page containing the related information.

4) RECOMMENDED SPARE PARTS

The Recommended Spare Parts, located near the end of the manual, references most frequently used maintenance parts.

5) PART NUMBER INDEX

A numerical index listing all part numbers & the corresponding page number(s) appears at the back of the manual.

GENERAL INFORMATION

6) NON-SERVICED PARTS

In some instances, it is necessary to display non-serviced parts, assemblies or installations. In the case of assemblies & installations there will be a Ref in the Qty column. In the case of parts that are not available for service within assemblies or components, there will be a NSS (Not Sold Separately) or NLA (No Longer Available) listed in the Qty column of the manual.

7) PARTS LIST ITEM NUMBERS

Numbers shown in the Item# column correspond to numbers used in the associated illustration(s). Item numbers which are missing from the sequence in the parts list are not used on that page.

8) INDENTED PART DESCRIPTION

An indented part description is included in the item under which it is indented.

9) ABBREVIATIONS & SYMBOLS

AC.....	Alternating Current	LCD.....	Liquid Crystal Display
ADE.....	Advanced Design Electronics	LED.....	Light Emitting Diodes
ANSI.....	American National Standards Institute	LH.....	Left Hand
AR.....	As Required	LSS.....	Load Sensing System
ASSY.....	Assembly	M(m).....	Metric/Meter
AUX.....	Auxiliary	MM (mm).....	Milimeter
AWG.....	American Wire Gauge	mA.....	Miliamps
B/M.....	Bill of Material	NLA.....	No Longer Available
CE.....	European Conformity	NPT.....	National Pipe Threads
CCW.....	Counter Clockwise	NSS.....	Not Sold Separately
cm.....	Centimeter	OD.....	Outside Diameter
CW.....	Clockwise	ORB.....	O-Ring Boss
CSA.....	Canadian Standards Association	ORFS.....	O-Ring Face Seal
CYL.....	Cylinder	OZ (oz).....	Ounces
DIA.....	Diameter	PG.....	Page
DC.....	Direct Current	P/N.....	Part Number
EMS.....	Emergency Stop	qt.....	Quarts
ENG.....	Engine	QTY.....	Quantity
FT(ft).....	Feet	REF.....	Reference
GA(Ga).....	Gauge	REV.....	Revision Level
HYD.....	Hydraulic	RH.....	Right Hand
Hz.....	Hertz	SAE.....	Society of Automotive Engineers
ID.....	Inside Diameter	SN.....	Serial Number
in.....	inches	SPEC(S).....	Specifications
ISO.....	International Organization for Standards	T/T.....	Turntable
JIC.....	Joint Industry Council	UGM.....	Universal Ground Module
KG.....	Kilogram	V.....	Volts
L.....	Liter	W.....	Watts
LB.....	Pounds	#.....	Number

10) ILLUSTRATION REFERENCE LETTERS

When necessary, illustrations may contain reference letters that are intended to track information (i. e. hoses, harnesses) from one point to another or to track visual enlargement of components to show details that may be located in another area on the illustration.

Note: Due to continuous product improvements, JLG Industries, Inc. reserves the right to make specification changes without prior notification. Contact JLG Industries, Inc. for updated information.

TABLE OF CONTENTS

SECTION 1 - FRAME.....	11
FIGURE 1-1. STEERING INSTALLATION	12
FIGURE 1-2. HUB - SPINDLE ASSEMBLY - RH	14
FIGURE 1-3. HUB - SPINDLE ASSEMBLY - LH.....	16
FIGURE 1-4. WHEEL DRIVE - E450A/E450AJ.....	18
FIGURE 1-5. WHEEL DRIVE - E450A/E450AJ - UL LISTED.....	22
FIGURE 1-6. WHEEL DRIVE - M450AJ.....	26
FIGURE 1-7. HUB - DRIVE ASSEMBLY	30
FIGURE 1-8. DRIVE MOTOR ASSEMBLY	34
FIGURE 1-9. TIRE/WHEEL - IN240/55-17.5 PNEUMATIC	36
FIGURE 1-10. TIRE/WHEEL - IN240/55 - 17.5 FOAM FILL.....	38
FIGURE 1-11. TIRE/WHEEL - IN240/55-17.5 PNEU. NON MARKING.....	40
FIGURE 1-12. TIRE/WHEEL - 26 X 7 X 20 - SOLID NON MARKING.....	42
FIGURE 1-13. TIRE/WHEEL - IN240/55-17.5 FOAM FILLNON MARKING	44
FIGURE 1-14. TIRE/WHEEL - IN240/55-17.5 PNEUMATIC NON MARKING TS	46
FIGURE 1-15. WHEEL COVER INSTALLATION - IN240/55-17.5 TIRES ONLY	48
FIGURE 1-16. MOTOR/PUMP/TANK - E450A/E450AJ	50
FIGURE 1-17. MOTOR/PUMP/TANK - E450A/E450AJ - UL LISTED	52
FIGURE 1-18. MOTOR/PUMP/TANK - M450AJ	54
FIGURE 1-19. MOTOR/PUMP ASSEMBLY	56
FIGURE 1-20. HYDRAULIC TANK ASSEMBLY - E450A/E450AJ	58
FIGURE 1-21. HYDRAULIC TANK ASSEMBLY - M450AJ	60
FIGURE 1-22. VALVE INSTALLATION - FRAME MOUNTED - E450A	62
FIGURE 1-23. VALVE INSTALLATION - FRAME MOUNTED - E450AJ.....	64
FIGURE 1-24. VALVE INSTALLATION - FRAME MOUNTED - M450AJ.....	66
FIGURE 1-25. BRAKE/STEER VALVE ASSEMBLY	68
FIGURE 1-26. BATTERY BOX INSTALLATION.....	70
FIGURE 1-27. BATTERY BOX INSTALLATION - AGM BATTERIES	72
FIGURE 1-28. BATTERY BOX INSTALLATION - CE	74
FIGURE 1-29. BATTERY CHARGER INSTALLATION - E450A/E450AJ.....	76
FIGURE 1-30. BATTERY CHARGER INSTALLATION - E450A/E450AJ.....	78
FIGURE 1-31. BATTERY CHARGER INSTALLATION - E450A/E450AJ.....	80
FIGURE 1-32. BATTERY CHARGER INSTALLATION - M450AJ.....	82
FIGURE 1-33. BATTERY CHARGER INSTALLATION - M450AJ.....	84
FIGURE 1-34. BATTERY CHARGER INSTALLATION - M450AJ.....	86
FIGURE 1-35. INVERTER INSTALLATION - E450A/E450AJ	88
FIGURE 1-36. FRAME COVER INSTALLATION - M450AJ.....	90
FIGURE 1-37. FRAME COVER INSTALLATION - E450A/E450AJ.....	92
SECTION 2 - TURNTABLE	95
FIGURE 2-1. VALVE INSTALLATION - TURNTABLE MOUNTED - E450A.....	96
FIGURE 2-2. VALVE INSTALLATION - TURNTABLE MOUNTED - E450AJ.....	98
FIGURE 2-3. VALVE INSTALLATION - TURNTABLE MOUNTED - M450AJ	100
FIGURE 2-4. MAIN CONTROL VALVE ASSEMBLY	102
FIGURE 2-5. RELEVELING VALVE ASSEMBLY	106
FIGURE 2-6. JIB VLAVE ASSEMBLY	108
FIGURE 2-7. MOTION ALARM INSTALLATION	110
FIGURE 2-8. TURNTABLE BEARING AND SWING DRIVE INSTALLATION.....	112
FIGURE 2-9. SWING MOTOR ASSEMBLY	114
FIGURE 2-10. SWING BEARING ASSEMBLY	116
FIGURE 2-11. REMOTE BEARING LUBE INSTALLATION - OPTIONAL.....	118
FIGURE 2-12. DRIVE ORIENTATION INSTALLATION	120
FIGURE 2-13. FUEL TANK AND BATTERY INSTALLATION - M450AJ.....	122
FIGURE 2-14. GROUND CONTROL BOX ASSEMBLY - E450A	124
FIGURE 2-15. GROUND CONTROL BOX ASSEMBLY - E450A - CE SPEC	126
FIGURE 2-16. GROUND CONTROL BOX ASSEMBLY - E450AJ/M450AJ.....	128
FIGURE 2-17. GROUND CONTROL BOX ASSEMBLY - E450AJ/M450AJ - CE SPEC	130
FIGURE 2-18. MOTOR CONTROLS INSTALLATION - M450AJ	132
FIGURE 2-19. BEACON LIGHT INSTALLATION - OPTIONAL.....	134
FIGURE 2-20. STROBE LIGHT INSTALLATION - UL LISTED - OPTIONAL.....	136
FIGURE 2-21. STROBE LIGHT ASSEMBLY	138
FIGURE 2-22. HOOD INSTALLATION - E450A.....	140
FIGURE 2-23. HOOD INSTALLATION - E450AJ/M450AJ.....	142

TABLE OF CONTENTS

SECTION 3 - ENGINE	145
FIGURE 3-1. KUBOTA MOTOR/GENERATOR INSTALLATION - M450AJ	146
FIGURE 3-2. KUBOTA MOTOR/GENERATOR ASSEMBLY - M450AJ	148
FIGURE 3-3. KUBOTA MOTOR/GENERATOR COMPONENTS	150
SECTION 4 - BOOM.....	153
FIGURE 4-1. BOOM AND CYLINDERS INSTALLATION - E450A	154
FIGURE 4-2. BOOM AND CYLINDERS INSTALLATION - E450AJ/M450AJ	156
FIGURE 4-3. MAIN BOOM ASSEMBLY - E450A	158
FIGURE 4-4. MANI BOOM ASSEMBLY - E450AJ/M450AJ.....	160
FIGURE 4-5. JIB INSTALLATION.....	162
FIGURE 4-6. ROTATOR ASSEMBLY - E450A.....	164
FIGURE 4-7. ROTATOR ASSEMBLY - E450AJ/M450AJ.....	166
FIGURE 4-8. PLATFORM SUPPORT INSTALLATION	168
FIGURE 4-9. CABLES AND CLAMPS INSTALLATION - E450A.....	170
FIGURE 4-10. CABLES AND CLAMPS INSTALLATION- E450AJ/M450AJ.....	172
FIGURE 4-11. LIMIT SWITCHES INSTALLATION	174
SECTION 5 - PLATFORM.....	177
FIGURE 5-1. PLATFORM ASSEMBLY - 4FT/1.22M - SIDE GATE ENTRY	178
FIGURE 5-2. PLATFORM ASSEMBLY - 5FT/1.52M - SIDE GATE ENTRY	180
FIGURE 5-3. PLATFORM ASSEMBLY - 5FT/1.52M - SIDE GATE ENTRY - W/STOP	182
FIGURE 5-4. PLATFORM ASSEMBLY - 4FT/1.22M - DROP BAR ENTRY	184
FIGURE 5-5. PLATFORM ASSEMBLY - 5FT/1.52M - DROP BAR ENTRY	186
FIGURE 5-6. PLATFORM ASSEMBLY - 6FT/1.83M - DROP BAR ENTRY	188
FIGURE 5-7. TRAY ASSEMBLY.....	190
FIGURE 5-8. PLATFORM CONSOLE AND FOOTSWITCH INSTALLATION.....	192
FIGURE 5-9. PLATFORM CONSOLE AND FOOTSWITCH INSTALLATION - UL.....	194
FIGURE 5-10. PLATFORM CONSOLE ASSEMBLY	196
FIGURE 5-11. PLATFORM CONSOLE ASSEMBLY - UL LISTED	200
FIGURE 5-12. LIGHT PANEL DECAL INSTALLATION	204
FIGURE 5-13. JIB SWITCH INSTALLATION - E450AJ/M450AJ	206
FIGURE 5-14. SEALED ENCLOSURES - UL LISTED.....	208
FIGURE 5-15. CONTROLLER ASSEMBLY - DRIVE AND STEER	210
FIGURE 5-16. CONTROLLER ASSEMBLY - LIFT AND SWING.....	212
FIGURE 5-17. FOOTSWITCH ASSEMBLY	214
FIGURE 5-18. MOTOR CONTROLS INSTALLATION - M450AJ.....	216
SECTION 6 - CYLINDER.....	219
FIGURE 6-1. STEER CYLINDER ASSEMBLY	220
FIGURE 6-2. LIFT CYLINDER ASSEMBLY - LOWER - E450A.....	222
FIGURE 6-3. LIFT CYLINDER ASSEMBLY - E450AJ/M450AJ	224
FIGURE 6-4. LIFT CYLINDER ASSEMBLY - MID - E450A	226
FIGURE 6-5. LIFT CYLINDER ASSEMBLY - MID - E450AJ/M450AJ	228
FIGURE 6-6. LIFT CYLINDER - UPPER - E450A.....	230
FIGURE 6-7. LIFT CYLINDER - UPPER - E450AJ/M450AJ.....	232
FIGURE 6-8. MASTER CYLINDER ASSEMBLY - E450A	234
FIGURE 6-9. MASTER CYLINDER ASSEMBLY - E450AJ/M450AJ	236
FIGURE 6-10. PLATFORM LEVEL CYLINDER - E450A	238
FIGURE 6-11. PLATFORM LEVEL CYLINDER - JIB - E450AJ/M450AJ.....	240
FIGURE 6-12. JIB CYLINDER ASSEMBLY - E450AJ/M450AJ	242
FIGURE 6-13. TELESCOPE CYLINDER ASSEMBLY - E450A	244
FIGURE 6-14. TELESCOPE CYLINDER ASSEMBLY - E450AJ/M450AJ.....	246
FIGURE 6-15. COUNTERBALANCE VALVE ASSEMBLY	248
SECTION 7 - HYDRAULIC	251
FIGURE 7-1. HYDRAULIC DIAGRAM - E450A	252
FIGURE 7-2. HYDRAULIC DIAGRAM - E450AJ	256
FIGURE 7-3. HYDRAULIC DIAGRAM - M450AJ.....	260
FIGURE 7-4. HYDRAULIC DIAGRAM LIST.....	264
SECTION 8 - ELECTRICAL.....	265

TABLE OF CONTENTS

FIGURE 8-1. ELECTRICAL DIAGRAM LIST	266
FIGURE 8-2. BATTERY CHARGER HARNESS	268
FIGURE 8-3. CONTACTOR CABLE KIT - E450A/E450AJ.....	270
FIGURE 8-4. CONTACTOR PLATE KIT - E450A/E450AJ - UL/EE.....	272
FIGURE 8-5. CONTACTOR CABLE KIT - M450A.....	274
FIGURE 8-6. CONTACTOR PLATE ASSEMBLY AND HARNESSES	276
FIGURE 8-7. CONTACTOR PLATE ASSEMBLY AND HARNESSES - UL	278
FIGURE 8-8. STEER BRAKE HARNESS - E450A/E450AJ.....	280
FIGURE 8-9. MOTOR/STEER/BRAKE HARNESS - M450AJ.....	282
FIGURE 8-10. LED REMOTE HARNESS	284
FIGURE 8-11. BATTERY CHARGER COMPONENTS.....	286
FIGURE 8-12. INVERTER HARNESS.....	288
FIGURE 8-13. DRIVE ORIENTATION HARNESS	290
FIGURE 8-14. GROUND CONTROL FUNCTION SWITCH HARNESS ASSEMBLY.....	292
FIGURE 8-15. VALVE HARNESS ASSEMBLY	294
FIGURE 8-16. TURNTABLE/FRAME HARNESS ASSEMBLY.....	296
FIGURE 8-17. HORN/BEACON HARNESS ASSEMBLY.....	298
FIGURE 8-18. POSI-TRACK MODULE CAN HARNESS ASSEMBLY	300
FIGURE 8-19. GROUND CONTROL CAN HARNESS ASSEMBLY.....	302
FIGURE 8-20. GENERATOR HARNESS TO GROUND CONTROL BOX	304
FIGURE 8-21. MAIN BOOM HARNESS ASSEMBLY.....	306
FIGURE 8-22. MAIN BOOM HARNESS ASSEMBLY - E450AJ/M450AJ.....	308
FIGURE 8-23. TOWER BOOM HARNESS ASSEMBLY - E450A/E450AJ/M450AJ.....	310
FIGURE 8-24. BOOM LIMIT SWITCH HARNESS - LOWER	312
FIGURE 8-25. BOOM LIMIT SWITCH HARNESS - UPPER.....	314
FIGURE 8-26. JIB HARNESS - AJ MODELS ONLY	316
FIGURE 8-27. INDICATOR LAMP HARNESS ASSEMBLY	318
FIGURE 8-28. PLATFORM FUNCTION SWITCH HARNESS ASSEMBLY	320
FIGURE 8-29. PLATFORM CAN BUS HARNESS ASSEMBLY	322
FIGURE 8-30. ANALYZER HARNESS ASSEMBLY.....	324
FIGURE 8-31. DRIVE ORIENTATION HARNESS ASSEMBLY	326
FIGURE 8-32. PLUG AND RECEPTACLE INSTALLATION - 110V - ANSI SPEC.....	328
FIGURE 8-33. PLUG AND RECEPTACLE INSTALLATION - SUPPLIED LOCALLY.....	330
FIGURE 8-34. PLUG AND RECEPTACLE 220V INSTALLATION - ANSI SPEC.....	332
FIGURE 8-35. PLUG AND RECEPTACLE 220V INSTALLATION - CE SPEC	334
FIGURE 8-36. PLUG AND RECEPTACLE 220V INSTALLATION - CE SPEC.....	336
FIGURE 8-37. PLUG AND RECEPTACLE 220V INSTALLATION - CE SPEC	338
FIGURE 8-38. PLUG AND RECEPTACLE 110V INSTALLATION - CE SPEC	340
FIGURE 8-39. PLUG AND RECEPTACLE 220V INSTALLATION - CE SPEC	342
FIGURE 8-40. PLUG AND RECEPTACLE 220V INSTALLATION - CE SPEC	344
FIGURE 8-41. PLUG AND RECEPTACLE 110V INSTALLATION - CE SPEC	346
FIGURE 8-42. LOWER BOOM 110V HARNESS ASSEMBLY	348
FIGURE 8-43. LOWER BOOM 220V HARNESS ASSEMBLY - CE SPEC	350
FIGURE 8-44. MAIN BOOM 110V HARNESS ASSEMBLY	352
FIGURE 8-45. MAIN BOOM 220V HARNESS ASSEMBLY - CE SPEC	354
FIGURE 8-46. BREAKER BOX KIT WITH TWO BREAKERS - CE SPEC.....	356
FIGURE 8-47. BREAKER BOX KIT WITH THREE BREAKERS - CE SPEC	358
FIGURE 8-48. AC PLUGS AND SOCKETS INSTALLATION - CE SPEC	360
FIGURE 8-49. AC PLUGS AND SOCKETS INSTALLATION - CE SPEC	362
FIGURE 8-50. AC PLUGS AND SOCKETS INSTALLATION - CE SPEC	364
FIGURE 8-51. PLUGS AND SOCKETS INSTALLATION - CE SPEC	366
FIGURE 8-52. PLUGS AND SOCKETS INSTALLATION - CE SPEC	368
FIGURE 8-53. AC PLUGS AND SOCKETS INSTALLATION - CE SPEC	370
FIGURE 8-54. AC PLUGS AND SOCKETS INSTALLATION - CE SPEC	372
FIGURE 8-55. STROBE LIGHT - AMBER - HARNESS	374
FIGURE 8-56. STROBE LIGHT HARNESS	376
FIGURE 8-57. CHARGER CORD PLUG INSTALLATION - CE SPEC	378
FIGURE 8-58. CHARGER CORD PLUG INSTALLATION - CE SPEC.....	380
FIGURE 8-59. CHARGER CORD PLUG INSTALLATION - CE SPEC.....	382
FIGURE 8-60. CHARGER CORD PLUG INSTALLATION - CE SPEC.....	384
FIGURE 8-61. CHARGER CORD PLUG INSTALLATION - CE SPEC.....	386
SECTION 9 - DECALS.....	389
FIGURE 9-1. 0270273, DECAL INSTALLATION - JLG LOGO.....	390
FIGURE 9-2. DECAL INSTALLATION - ANSI SPEC - M450AJ.....	392
FIGURE 9-3. DECAL INSTALLATION - ANSI SPEC - E450A/E450AJ.....	394

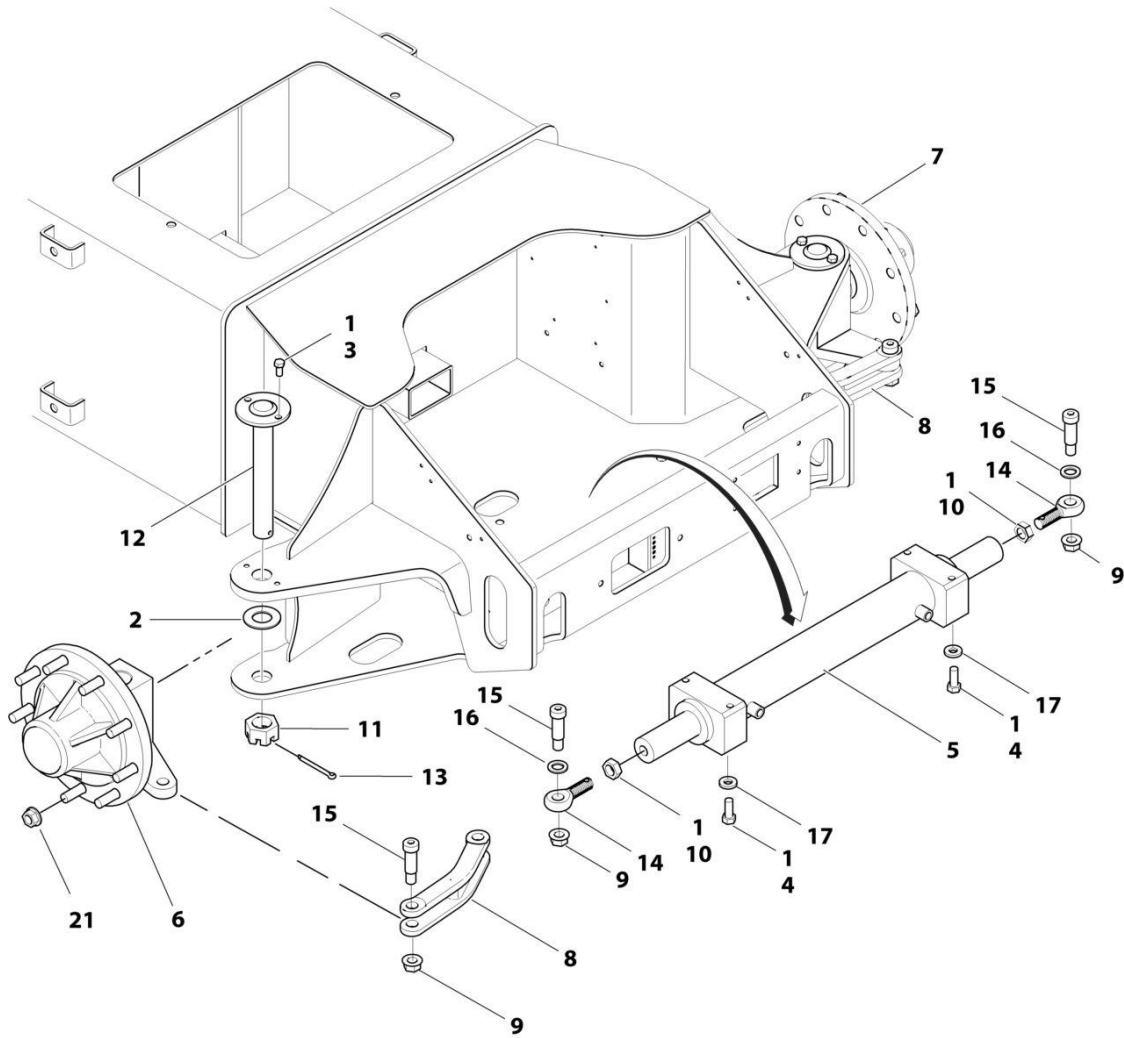
TABLE OF CONTENTS

FIGURE 9-4. DECAL INSTALLATION - CE/AUSTRALIAN SPEC - M450AJ.....	396
FIGURE 9-5. DECAL INSTALLATION - CE/AUSTRALIAN SPEC - E450A/E450AJ	398
FIGURE 9-6. DECAL INSTALLATION - JAPANESE SPEC - M450AJ	400
FIGURE 9-7. DECAL INSTALLATION - JAPANESE SPEC - E450A/E450AJ	402
FIGURE 9-8. DECAL INSTALLATION - KOREAN SPEC - M450AJ.....	404
FIGURE 9-9. DECAL INSTALLATION - KOREAN SPEC - E450A/E450AJ.....	406
FIGURE 9-10. DECAL INSTALLATION - SPANISH/ENGLISH SPECS - M450AJ	408
FIGURE 9-11. DECAL INSTALLATION - SPANISH/ENGLISH SPECS - E450A/E450AJ	410
FIGURE 9-12. DECAL INSTALLATION - FRENCH/ENGLISH SPECS - M450AJ	412
FIGURE 9-13. DECAL INSTALLATION - FRENCH/ENGLISH SPECS - E450A/E450AJ	414
FIGURE 9-14. DECAL INSTALLATION - CHINESE/ENGLISH - M450AJ	416
FIGURE 9-15. DECAL INSTALLATION - CHINESE/ENGLISH - E450A/E450AJ	418
FIGURE 9-16. DECAL INSTALLATION - SPANISH/PORTUGUESE SPECS - M450AJ	420
FIGURE 9-17. DECAL INSTALLATION - SPANISH/PORTUGUESE SPECS - E450A/E450AJ	422
SECTION 10 - RECOMMENDED SERVICE PARTS STOCK	425
FIGURE 10-1. RECOMMENDED SERVICE PARTS STOCK.....	426
SECTION 11 - SPECIAL OPTIONS	427
FIGURE 11-1. SPECIAL OPTIONS	428
PART NUMBER INDEX.....	431

SECTION 1 - FRAME

SECTION 1 - FRAME

FIGURE 1-1. STEERING INSTALLATION



ART_1001166414

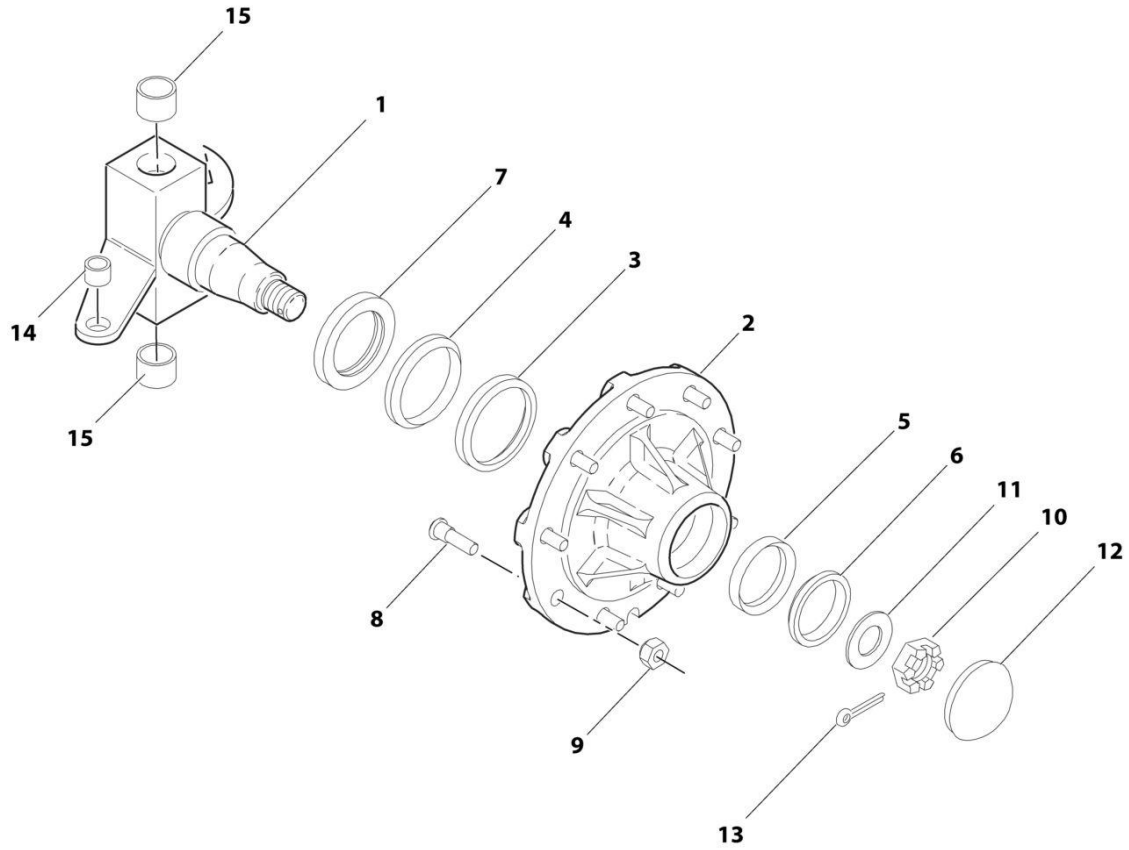
SECTION 1 - FRAME

FIGURE 1-1. STEERING INSTALLATION

ITEM	PART NUMBER	QTY	DESCRIPTION	REV
	1001166414	Ref	STEERING INSTALLATION	B
1	0100011	AR	Locking Compound	
2	0440162	2	Bearing, Thrust	
3	0641606	4	Bolt, 3/8-16 X 3/4	
4	0681810	4	Bolt, 1/2-13 X 1-1/4, Grade 8	
5	1683591	1	Steering Cylinder (See CYLINDER SECTION for Breakdown)	
6	2780241	1	Spindle, Hub Assy RH (See HUB - SPINDLE ASSEMBLY RH for Breakdown)	
7	2780242	1	Spindle, Hub Assy L.H. (See HUB - SPINDLE ASSEMBLY LH for Breakdown)	
8	1001153021	2	Link, Steering, Mach	
9	3312008	4	Nut, 5/8-11, Serrated	
10	3322202	2	Nut, Jam	
11	3323003	2	Nut, 1-1/4-12, Castle	
12	3422692	2	Pin, King	
13	3450810	2	Pin, Cotter	
14	3841517	2	End, Tie Rod	
15	3900109	4	Screw, Shoulder	
16	4740156	2	Washer, Thrust	
17	4891800	4	Washer, 1/2in	
20	3020008	0.4 gal	Lubricant, Mobilube HD 80W-90 (Not Shown)	
21	3300426	18	Lugnut, 5/8-18UNF	

SECTION 1 - FRAME

FIGURE 1-2. HUB - SPINDLE ASSEMBLY - RH



ART_2780241

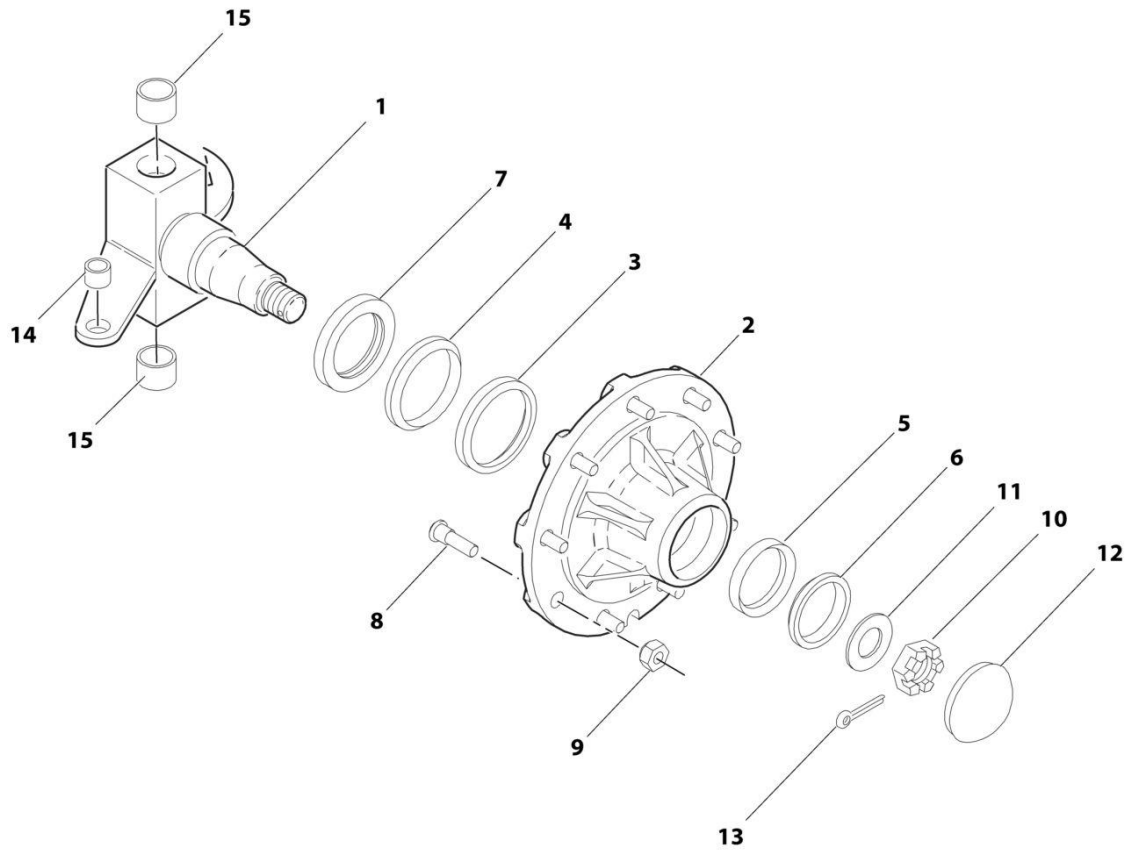
SECTION 1 - FRAME

FIGURE 1-2. HUB - SPINDLE ASSEMBLY - RH

ITEM	PART NUMBER	QTY	DESCRIPTION	REV
	2780241	Ref	HUB - SPINDLE ASSEMBLY, RH	C
1	4130351	1	Spindle RH	
2	7020035	1	Hub	
3	7020036	1	Cup, Bearing - Inner	
4	7020037	1	Cone, Bearing - Inner	
5	7020038	1	Cup, Bearing - Outer	
6	7020039	1	Cone, Bearing - Outer	
7	7020040	1	Seal	
8	7020041	9	Stud, Wheel	
9	7020042	9	Lugnut	
10	7020054	1	Nut, Castle	
11	7020055	1	Washer, Spindle	
12	7020137	1	Dust Cap	
13	7020140	1	Pin, Cotter	
14	0962140	1	Bushing	
15	0961951	2	Bushing	

SECTION 1 - FRAME

FIGURE 1-3. HUB - SPINDLE ASSEMBLY - LH



ART_2780242

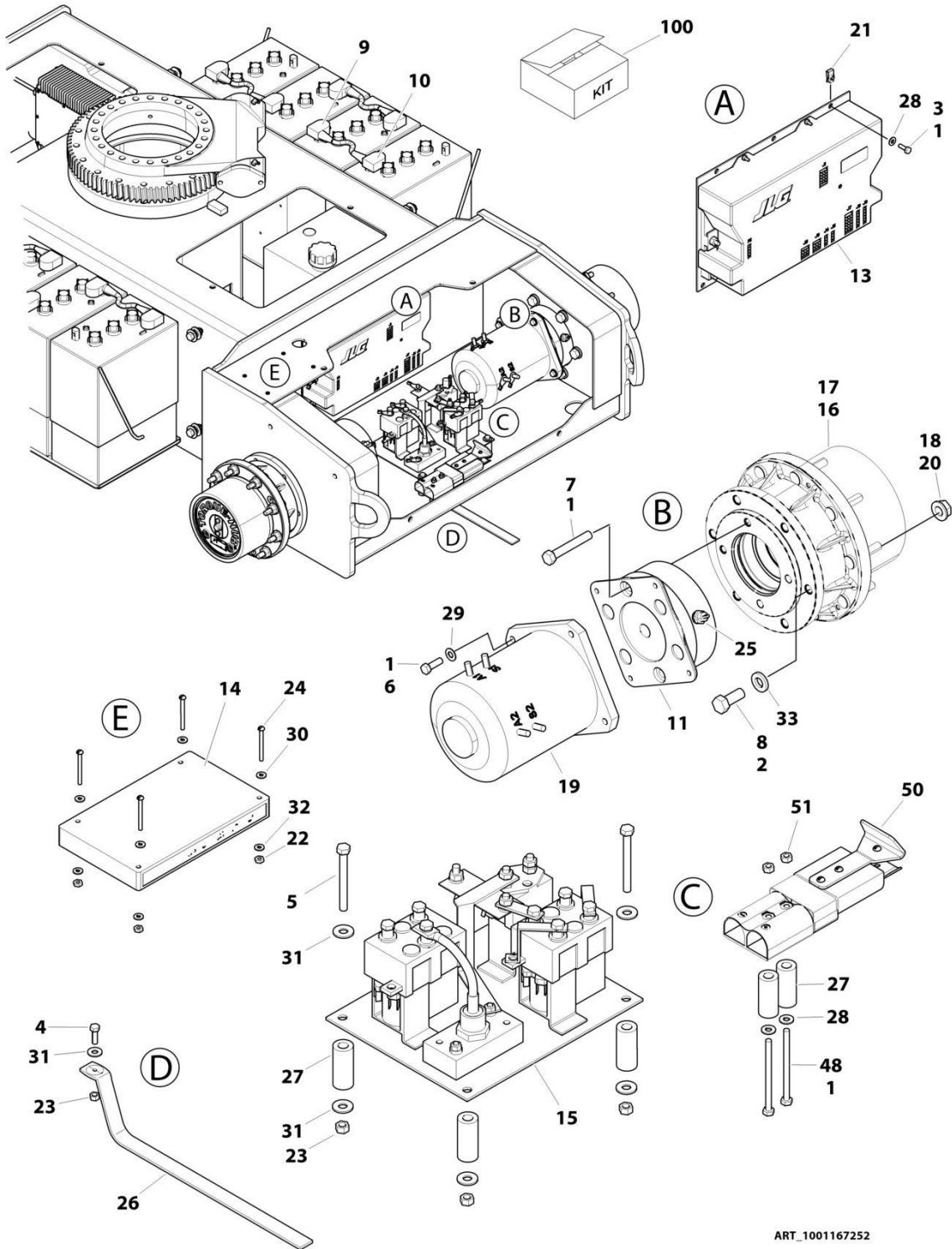
SECTION 1 - FRAME

FIGURE 1-3. HUB - SPINDLE ASSEMBLY - LH

ITEM	PART NUMBER	QTY	DESCRIPTION	REV
	2780242	Ref	HUB - SPINDLE ASSEMBLY, LH	C
1	4130350	1	Spindle LH	
2	7020035	1	Hub	
3	7020036	1	Cup, Bearing - Inner	
4	7020037	1	Cone, Bearing - Inner	
5	7020038	1	Cup, Bearing - Outer	
6	7020039	1	Cone, Bearing - Outer	
7	7020040	1	Seal	
8	7020041	1	Stud, Wheel	
9	7020042	1	Lugnut	
10	7020054	1	Nut, Castle	
11	7020055	1	Washer, Spindle	
12	7020137	1	Dust Cap	
13	7020140	1	Pin, Cotter	
14	0962140	1	Bushing	
15	0961951	2	Bushing	

SECTION 1 - FRAME

FIGURE 1-4. WHEEL DRIVE - E450A/E450AJ



ART_1001167252

SECTION 1 - FRAME

FIGURE 1-4. WHEEL DRIVE - E450A/E450AJ

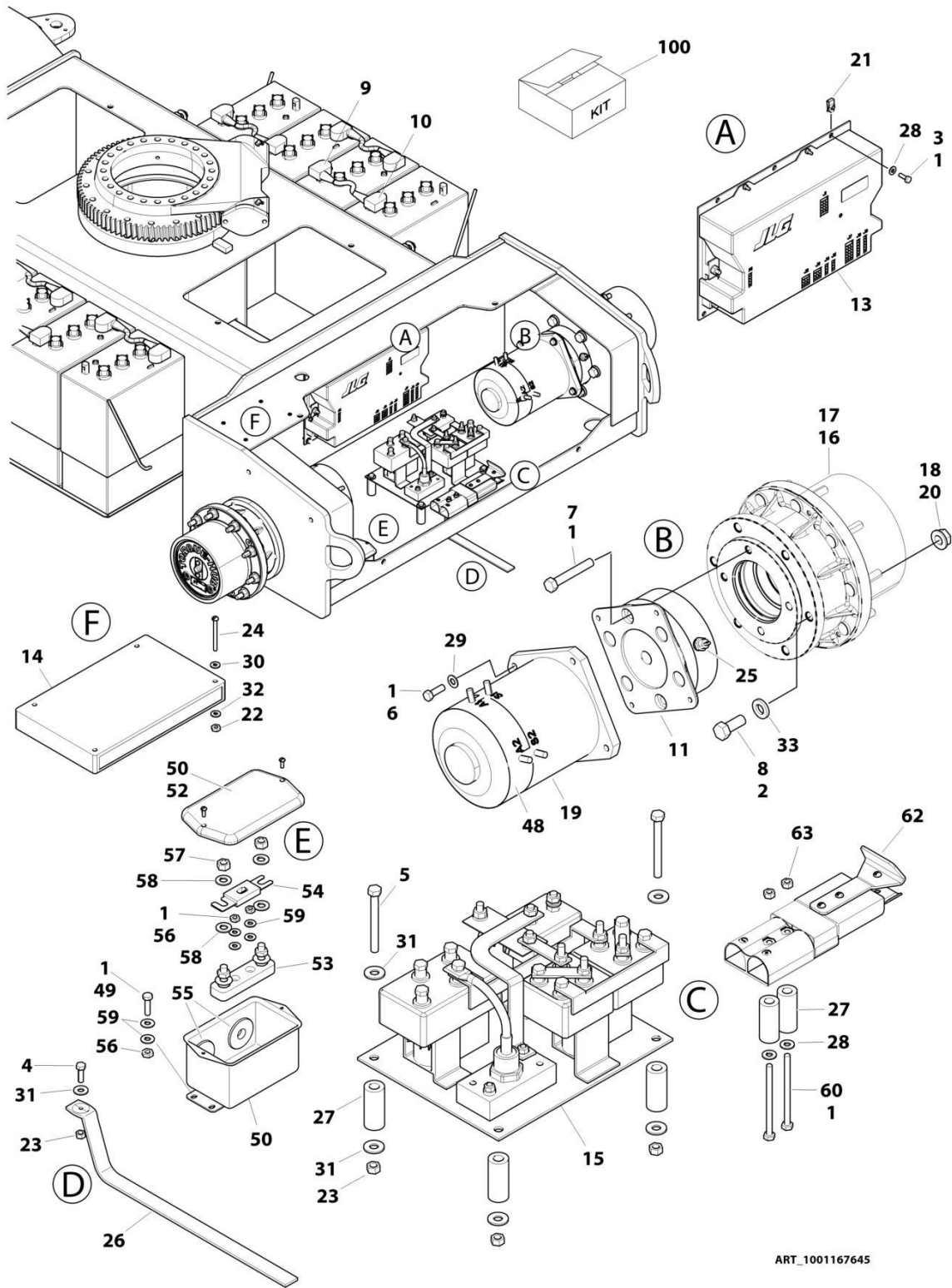
ITEM	PART NUMBER	QTY	DESCRIPTION	REV
	1001167252	Ref	WHEEL DRIVE - E450A/E450AJ	C
1	0100011	AR	Compound, Locking	
2	0100019	AR	Compound, Locking	
3	0641406	6	Bolt, 1/4-20 X 3/4	
4	0641508	1	Bolt, 5/16-18 X 1	
5	0641524	4	Bolt, 5/16-18 X 3	
6	0641609	8	Bolt, 3/8-16 X 1-1/8	
7	0641826	4	Bolt, 1/2-13 X 3-1/4	
8	0682014	12	Bolt, 5/8-11 X 1-3/4, Grade 8	
9	0840031	6	Boot, Terminal d Shaped	
10	0840032	6	Boot, Terminal b Shaped	
11	0920113	2	Brake	
11	See Note	2	Ring, Sensor (Note: Not Available - Purchase p/n 0920113)	
11	7007977	2	Ring, Bearing Retaining (Large) (1 per Assembly)	
11	7011716	2	Ring, Bearing Retaining (Small) (1 per Assembly)	
11	7007913	4	Bolt	
11	7011757	2	Complete Repair Kit (Includes Case and Oil Seals, O-Rings, Back-up Rings, Stator and Rotor Discs, Return Plate, Springs, Bearing and Brake to Hub Gasket (1 per Assembly)	
11	2900768	2	Bearing Kit (1 per Assembly)	
11	7007900	2	Seal, Oil - Front (1 per Assembly)	
11	7007933	2	Gasket, Brake to Hub (1 per Assembly)	
11	70002408	2	Gasket, Brake to Motor (1 per Assembly) (Not Included in Repair Kit)	
13	1600292	1	Controller, Power Module	
14	1600293	1	Module, Positrac/Tilt	
15	1600294	1	Controller, Contactor Panel (See ELECTRICAL SECTION for Breakdown)	
16	2780282	2	Drive Hub Assembly (See DRIVE HUB ASSEMBLY for Breakdown)	
17	3020008	1.5 l	Lubricant, Mobilube HD 80W-90	
18	3020037	AR	Lube, Coupling Grease	
19	3160237	2	Motor, Drive (See DRIVE MOTOR ASSEMBLY for Breakdown)	
20	3300426	18	Nut, 5/8-18UNF	
21	3300454	6	Nut, 1/4-20	
22	3310601	4	Nut, #6-32	
23	3311505	5	Nut, Lock, 5/16-18	
24	3910624	4	Screw, 6-32 X 1-1/2	
25	3990105	2	Sensor, Speed	
26	4240084	1	Strap, Anti-Static	
27	4568114	6	Spacer, Tube	
28	4711400	8	Washer, 1/4	
29	4711600	8	Washer, 3/8	
30	4750600	8	Washer, #6	
31	4751500	10	Washer, 5/16	
32	4760600	4	Washer, Lock, #6	
33	4892000	12	Washer, 5/8	
43	4922103	1	Harness, Battery (Not Shown - See ELECTRICAL SECTION for Breakdown)	
48	0641430	2	Bolt, 1/4-20 X 3-3/4	
50	1320172	1	Handle, Pull	

SECTION 1 - FRAME

ITEM	PART NUMBER	QTY	DESCRIPTION	REV
51	3311401	2	Nut, 1/4-20	
100	1001176310	1	Cable, Kit (See ELECTRICAL SECTION for Breakdown)	

SECTION 1 - FRAME

FIGURE 1-5. WHEEL DRIVE - E450A/E450AJ - UL LISTED



ART_1001167645

SECTION 1 - FRAME

FIGURE 1-5. WHEEL DRIVE - E450A/E450AJ - UL LISTED

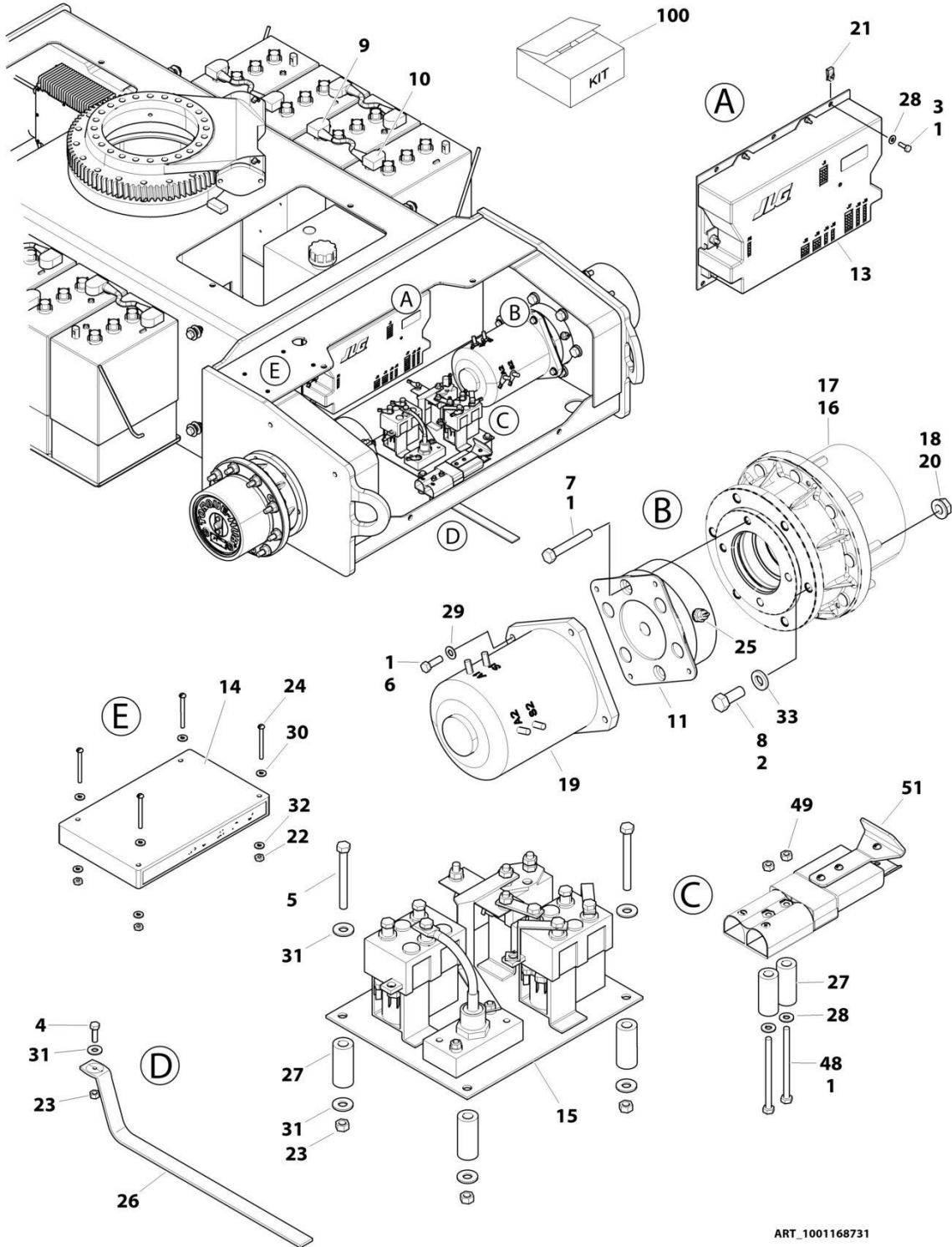
ITEM	PART NUMBER	QTY	DESCRIPTION	REV
100	1001176309	1	Cable, Kit (See ELECTRICAL SECTION for Breakdown)	
	1001167645	Ref	WHEEL DRIVE - E450A/E450AJ - UL LISTED	C
1	0100011	AR	Locking Compound	
2	0100019	AR	Locking Compound	
3	0641406	6	Bolt, 1/4-20 X 3/4	
4	0641508	1	Bolt, 5/16-18 X 1	
5	0641524	4	Bolt, 5/16-18 X 3	
6	0641609	8	Bolt, 3/8-16 X 1-1/8	
7	0641826	4	Bolt, 1/2-13 X 3-1/4	
8	0682014	12	Bolt , 5/8-11 X 1-3/4, Grade 8	
9	0840031	6	Boot, Terminal d Shaped	
10	0840032	6	Boot, Terminal b Shaped	
11	0920113	2	Brake, Mulit-Disc	
11	See Note	2	Ring, Sensor (Note: Not Available - Purchase p/n 0920113)	
11	7007977	2	Ring, Bearing Retaining (Large) (1 per Assembly)	
11	7011716	2	Ring, Bearing Retaining (Small) (1 per Assembly)	
11	7007913	4	Bolt	
11	7011757	2	Complete Repair Kit (Includes Case and Oil Seals, O-Rings, Back-up Rings, Stator and Rotor Discs, Return Plate, Springs, Bearing and Brake to Hub Gasket (1 per Assembly)	
11	2900768	2	Bearing Kit (1 per Assembly)	
11	7007900	2	Seal, Oil - Front (1 per Assembly)	
11	7007933	2	Gasket, Brake to Hub (1 per Assembly)	
11	70002408	2	Gasket, Brake to Motor (1 per Assembly) (Not Included in Repair Kit)	
13	1600292	1	Controller, Power Module	
14	1600293	1	Module, Positrac/Tilt	
15	1600300	1	Controller, UL Contactor Panel (See ELECTRICAL SECTION for Breakdown)	
16	2780282	2	Drive Hub Assembly (See DRIVE HUB ASSEMBLY for Breakdown)	
17	3020008	1.5 l	Lubricant, Mobilube HD 80W-90	
18	3020037	AR	Lube, Coupling Grease	
19	3160237	2	Motor, Drive (See DRIVE MOTOR ASSEMBLY for Breakdown)	
20	3300426	18	Nut, Flange, 5/8-18UNF	
21	3300454	6	Nut, 1/4-20	
22	3310601	4	Nut, #6-32	
23	3311505	5	Nut, Lock, 5/16-18	
24	3910624	4	Screw, 6-32 X 1-1/2	
25	3990105	2	Speed Sensor, Assembly	
26	4240084	1	Strap, Anti-Static	
27	4568114	6	Tube, Spacer	
28	4711400	8	Washer, 1/4	
29	4711600	8	Washer, 3/8	
30	4750600	8	Washer, #6	
31	4751500	10	Washer, 5/16	
32	4760600	4	Washer, Lock, #6	
33	4892000	12	Washer, 5/8	
43	4922103	1	Harness, Battery Charger (Not Shown - See ELECTRICAL SECTION for Breakdown)	
48	0340047	2	Band, Motor	

SECTION 1 - FRAME

ITEM	PART NUMBER	QTY	DESCRIPTION	REV
49	0721006	4	Bolt, #10-24 X .750	
50	0861375	1	Cover	
52	1704712	1	Decal, 300Amp Fuse	
53	2400044	1	Fuse, Mounting Block	
54	2400062	1	Fuse, 300 Amp	
55	2540037	2	Grommet	
56	3311001	6	Nut, #10-24	
57	3311501	2	Nut, 5/16-18	
58	4711500	4	Washer, 5/16	
59	4751000	12	Washer, #10	
60	0641430	2	Bolt, 1/4-20 X 3-3/4	
62	1320172	1	Handle, Pull	
63	3311401	2	Nut, 1/4-20	

SECTION 1 - FRAME

FIGURE 1-6. WHEEL DRIVE - M450AJ



ART_1001168731

SECTION 1 - FRAME

FIGURE 1-6. WHEEL DRIVE - M450AJ

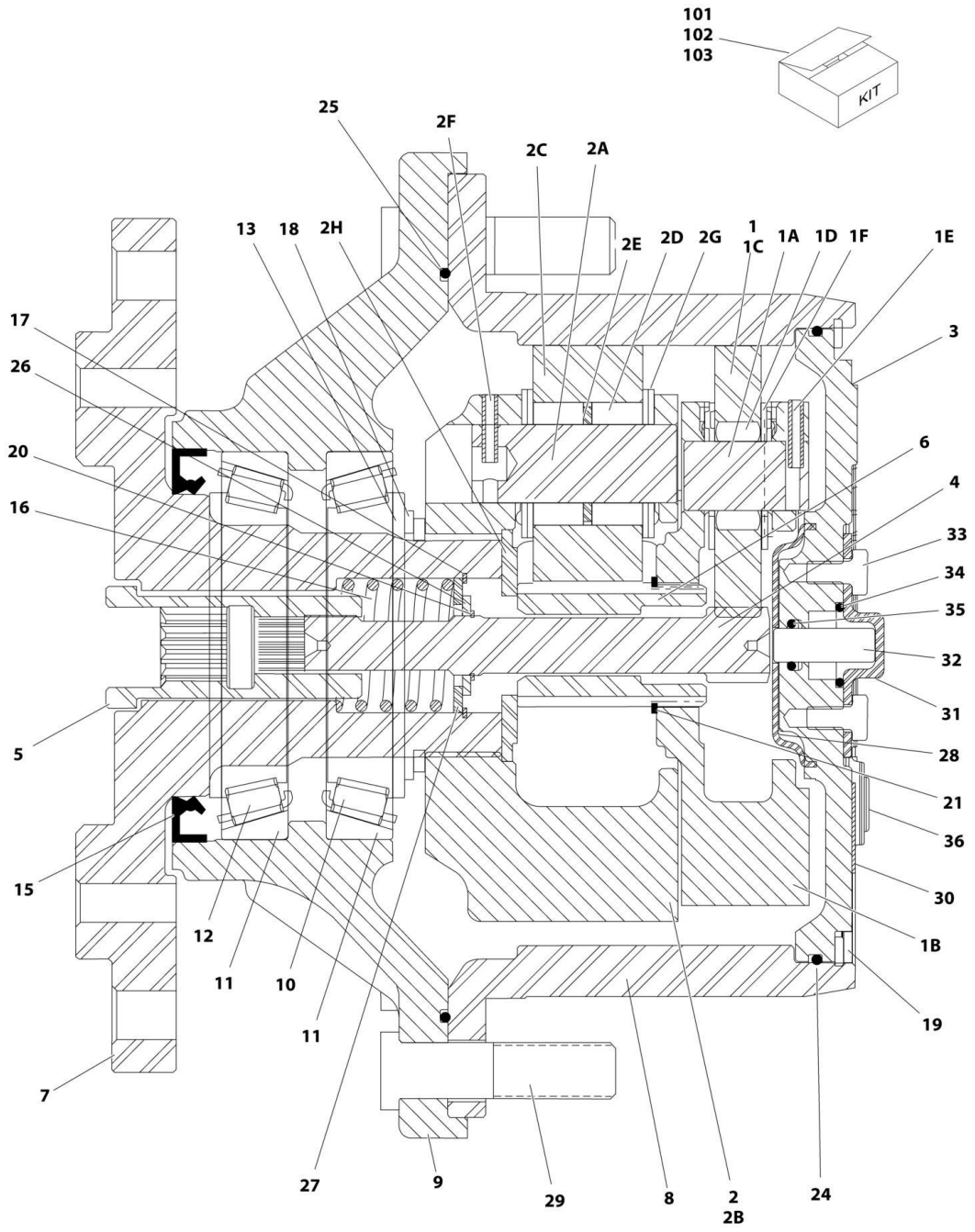
ITEM	PART NUMBER	QTY	DESCRIPTION	REV
	1001168731	Ref	WHEEL DRIVE - M450AJ	C
1	0100011	AR	Locking Compound	
2	0100019	AR	Locking Compound	
3	0641406	6	Bolt, 1/4-20 X 3/4	
4	0641508	1	Bolt, 5/16-18 X 1	
5	0641524	4	Bolt, 5/16-18 X 3	
6	0641609	8	Bolt, 3/8-16 X 1-1/8	
7	0641826	4	Bolt, 1/2-13 X 3-1/4	
8	0682012	12	Bolt, 5/8-11 X 1-1/2, Grade 8	
9	0840031	6	Boot, Terminal d Shaped	
10	0840032	6	Boot, Terminal b Shaped	
11	0920113	2	Brake, Mult-Disc	
11	See Note	2	Ring, Sensor (Note: Not Available - Purchase p/n 0920113)	
11	7007977	2	Ring, Bearing Retaining (Large) (1 per Assembly)	
11	7011716	2	Ring, Bearing Retaining (Small) (1 per Assembly)	
11	7007913	4	Bolt	
11	7011757	2	Complete Repair Kit (Includes Case and Oil Seals, O-Rings, Back-up Rings, Stator and Rotor Discs, Return Plate, Springs, Bearing and Brake to Hub Gasket (1 per Assembly)	
11	2900768	2	Bearing Kit (1 per Assembly)	
11	7007900	2	Seal, Oil - Front (1 per Assembly)	
11	7007933	2	Gasket, Brake to Hub (1 per Assembly)	
11	70002408	2	Gasket, Brake to Motor (1 per Assembly) (Not Included in Repair Kit)	
13	1600292	1	Controller, Power Module	
14	1600293	1	Module, Positrac/Tilt	
15	1600294	1	Contactora, Dual Motor Panel (See ELECTRICAL SECTION for Breakdown)	
16	2780282	2	Drive Hub Assembly (See DRIVE HUB ASSEMBLY for Breakdown)	
17	3020008	1.5 l	Lubricant, Mobilube HD 80W-90	
18	3020037	AR	Lube, Coupling Grease	
19	3160237	2	Motor (See DRIVE MOTOR ASSEMBLY for Breakdown)	
20	3300426	18	Nut, Flange, 5/8-18UNF	
21	3300454	6	Nut, 1/4-20	
22	3310601	4	Nut, #6-32	
23	3311505	5	Nut, Lock, 5/16-18	
24	3910624	4	Screw, 6-32 X 1-1/2	
25	3990105	2	Speed Sensor, Assembly	
26	4240084	1	Strap, Anti-Static	
27	4568114	6	Tube, Spacer	
28	4711400	8	Washer, 1/4	
29	4711600	8	Washer, 3/8	
30	4750600	8	Washer, #6	
31	4751500	10	Washer, 5/16	
32	4760600	4	Washer, Lock, #6	
33	4892000	12	Washer, 5/8	
43	4922103	1	Harness, Battery Charger (Not Shown - See ELECTRICAL SECTION for Breakdown)	
48	0641430	2	Bolt, 1/4-20 X 3-3/4	
49	3311401	2	Nut, 1/4-20	

SECTION 1 - FRAME

ITEM	PART NUMBER	QTY	DESCRIPTION	REV
51	1320172	1	Handle, Pull	
100	1001176311	1	Cable, Kit (See ELECTRICAL SECTION for Breakdown)	

SECTION 1 - FRAME

FIGURE 1-7. HUB - DRIVE ASSEMBLY



ART_2780282

FIGURE 1-7. HUB - DRIVE ASSEMBLY

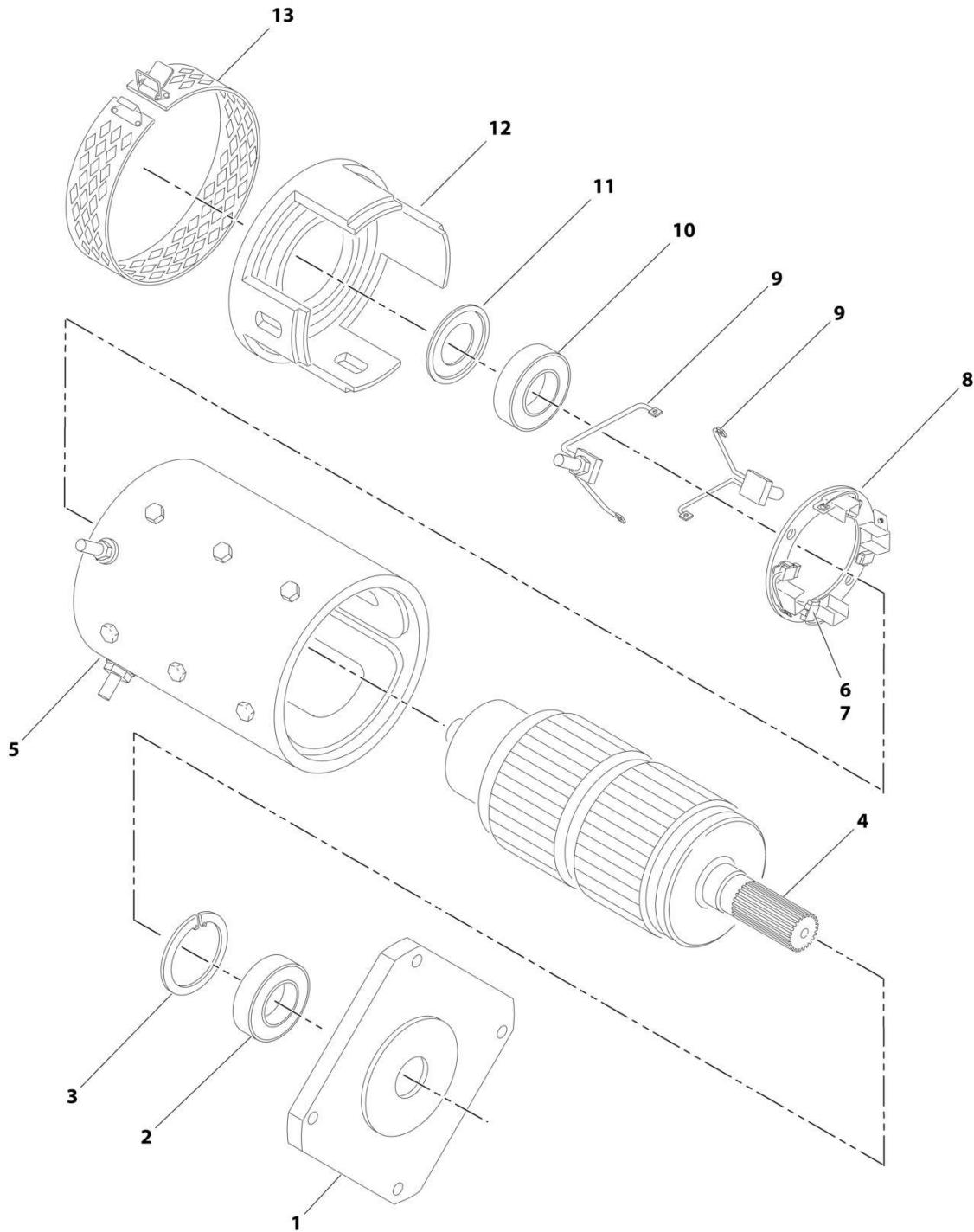
ITEM	PART NUMBER	QTY	DESCRIPTION	REV
	2780282	Ref	DRIVE HUB ASSEMBLY	A
1	70001366	1	Carrier, Sub Assembly	
1A	See Note	3	Shaft, Planet (Note: Purchase p/n 70001366)	
1B	See Note	1	Carrier (Note: Purchase p/n 70001366)	
1C	See Note	3	Gear, Planet (Note: Purchase p/n 70001366)	
1D	See Note	42	Bearing, Needle (Note: Purchase p/n 70001366)	
1E	See Note	3	Pin, Roll (Note: Purchase p/n 70001366)	
1F	See Note	6	Washer, Thrust (Note: Purchase p/n 70001366)	
2	70001367	1	Carrier, Input	
2A	See Note	3	Shaft, Planet (Note: Purchase p/n 70001367)	
2B	See Note	1	Carrier (Note: Purchase p/n 70001367)	
2C	See Note	1	Gear, Planet (Note: Purchase p/n 70001367)	
2D	See Note	84	Bearing, Needle (Note: Purchase p/n 70001367)	
2E	See Note	3	Spacer, Thrust (Note: Purchase p/n 70001367)	
2F	See Note	3	Pin, Roll (Note: Purchase p/n 70001367)	
2G	See Note	12	Washer, Thrust (Note: Purchase p/n 70001367)	
2H	See Note	1	Washer, Thrust (Note: Purchase p/n 70001367)	
3	70001368	1	Cover	
4	70001369	1	Shaft, Input	
5	70001370	1	Coupling	
6	70001371	1	Shaft, Sun Gear	
7	70001372	1	Spindle	
8	70001373	1	Gear, Ring	
9	See Note	1	Housing (Note: Purchase p/n 2780282)	
10	See Note	1	Bearing, Tapered-Cone (Note: Purchase p/n 7017007)	
11	See Note	2	Bearing, Tapered-Cup (Note: Purchase p/n 7017007)	
12	See Note	1	Bearing, Tapered-Cone (Note: Purchase p/n 7017007)	
13	7017009	1	Washer, Thrust	
15	See Note	1	Seal, Lip (Note: Purchase p/n 70001380)	
16	70001374	1	Spring	
17	70001375	1	Ring, Retaining (Internal)	
18	See Note	1	Ring, Retaining (External) (Note: Purchase p/n 70001380)	
19	7024738	1	Ring, Retaining (Internal)	
20	70001376	1	Ring, Retaining (External)	
21	70001377	1	Ring, Retaining (External)	
22	7000281	4	Screw (Not Shown - ID Plate Screws)	
23	7017022	3	Bolt, Flathead (Not Shown - Located on front of hub)	
24	See Note	1	O-Ring (Note: Purchase p/n 70001380)	
25	See Note	1	O-Ring (Note: Purchase p/n 70001380)	
26	70001378	1	Spacer, Thrust	
27	70001379	1	Washer, Thrust	
28	7024741	1	Spacer, Thrust	
29	7007640	9	Stub, Wheel	
30	See Note	1	Flange, Plate (Note: Purchase p/n 70001368)	
31	See Note	1	Cap, Disengage (Note: Purchase p/n 70001368)	
32	See Note	1	Pin, Dowel (Note: Purchase p/n 70001368)	
33	See Note	2	Bolt (Note: Purchase p/n 70001368)	
34	See Note	1	O-Ring (Note: Purchase p/n 70001368)	
35	See Note	1	O-Ring (Note: Purchase p/n 70001368)	
36	See Note	1	Plug (Note: Purchase p/n 70001368)	

SECTION 1 - FRAME

ITEM	PART NUMBER	QTY	DESCRIPTION	REV
101	7017007	1	Bearing Kit - Planet Gear (Includes Items 10-12)	
102	70001380	1	Seal Kit - Planet Gear (Includes Items 15, 18, 24 & 25)	
103	70001368	1	Cap/Disengage Kit (Includes Items 30-36)	

SECTION 1 - FRAME

FIGURE 1-8. DRIVE MOTOR ASSEMBLY



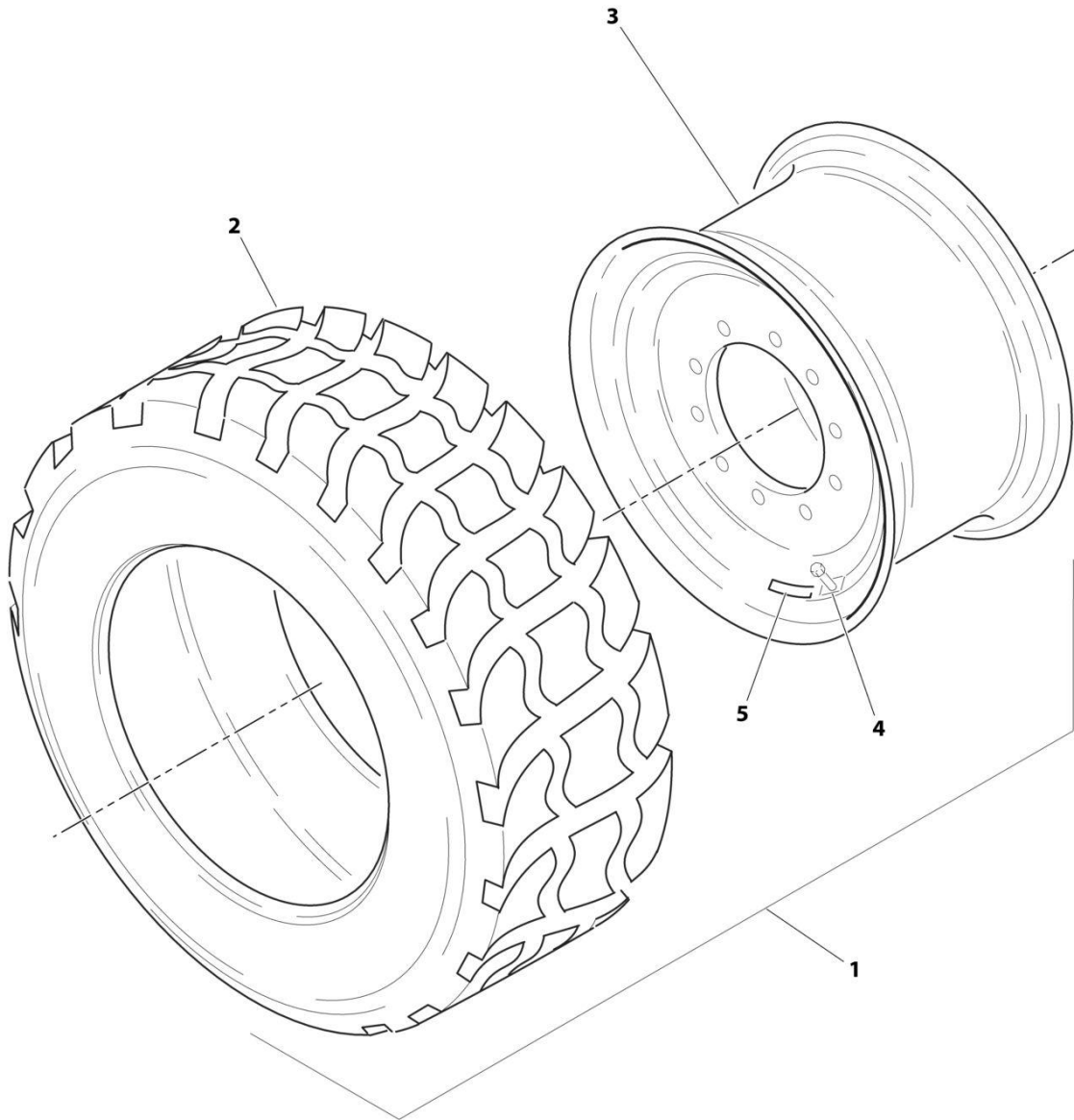
ART_3160237

FIGURE 1-8. DRIVE MOTOR ASSEMBLY

ITEM	PART NUMBER	QTY	DESCRIPTION	REV
	3160237	Ref	DRIVE MOTOR ASSEMBLY	E
1	7020184	1	Plate, Drive End	
2	7012545	1	Bearing	
3	7020185	1	Ring, Retaining	
4	See Note	1	Armature (Note: Purchase p/n 3160237)	
5	See Note	1	Frame and Field Assembly (Note: Purchase p/n 3160237)	
6	7012548	4	Spring, Brush	
7	7020149	4	Brush	
8	7020150	1	Holder, Brush	
9	7020151	2	Brush Lead Assembly Kit	
10	7012545	1	Bearing	
11	7012549	1	Washer	
12	7020189	1	End, Commutator	
13	7019609	1	Headband Assembly	

SECTION 1 - FRAME

FIGURE 1-9. TIRE/WHEEL - IN240/55-17.5 PNEUMATIC



ART_0258995

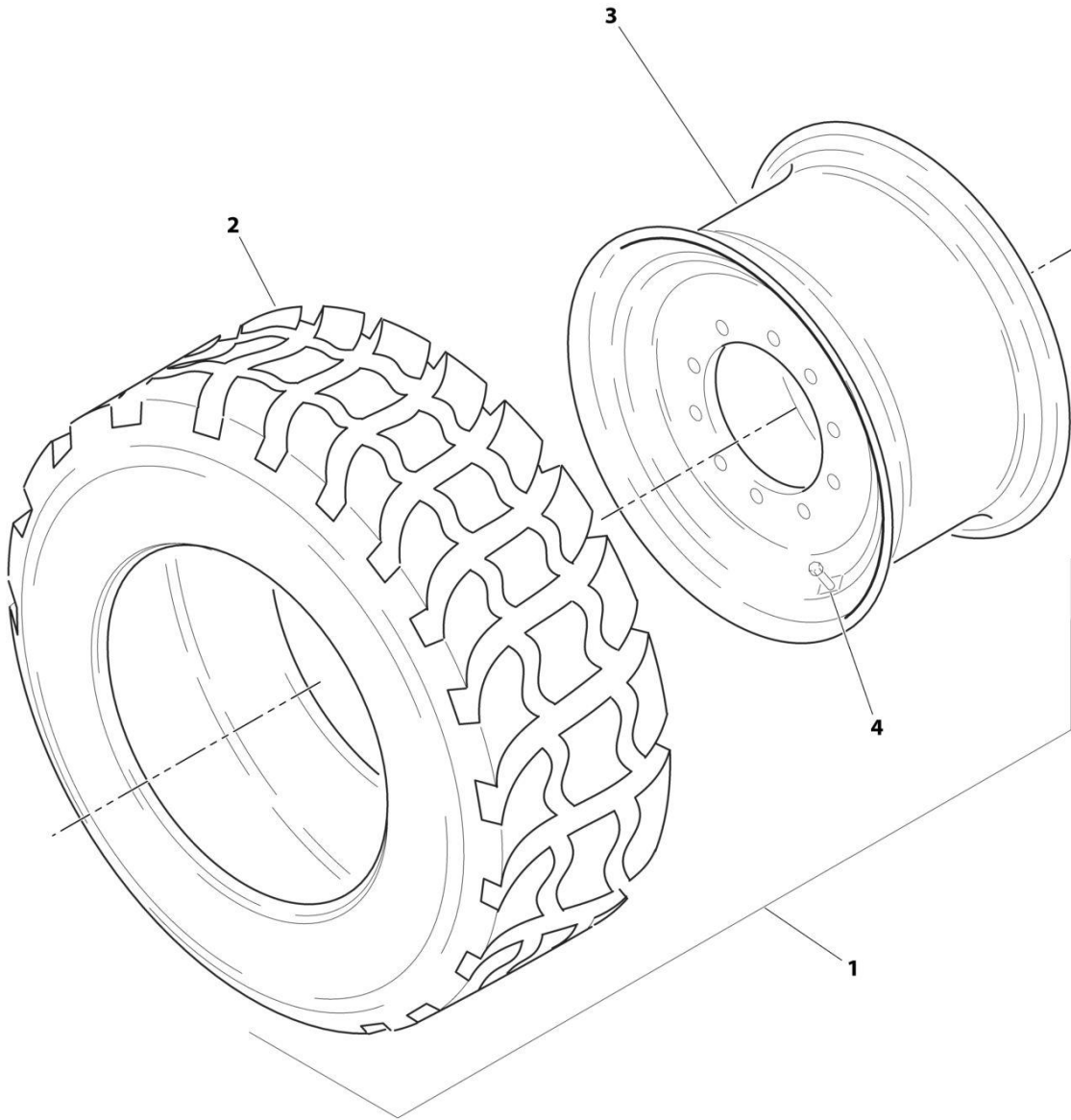
SECTION 1 - FRAME

FIGURE 1-9. TIRE/WHEEL - IN240/55-17.5 PNEUMATIC

ITEM	PART NUMBER	QTY	DESCRIPTION	REV
	0258995	Ref	TIRE AND WHEEL INSTALLATION	1
1	0258688	4	Tire Assembly	2
2	4520209	1	Tire, OTR, IN240/55-17.5 Pneumatic	
3	4860191	1	Rim, Wheel	
4	4641167	1	Valve, Stem	
5	1702740	1	Decal - Tire Pressure	

SECTION 1 - FRAME

FIGURE 1-10. TIRE/WHEEL - IN240/55 - 17.5 FOAM FILL



ART_0258996

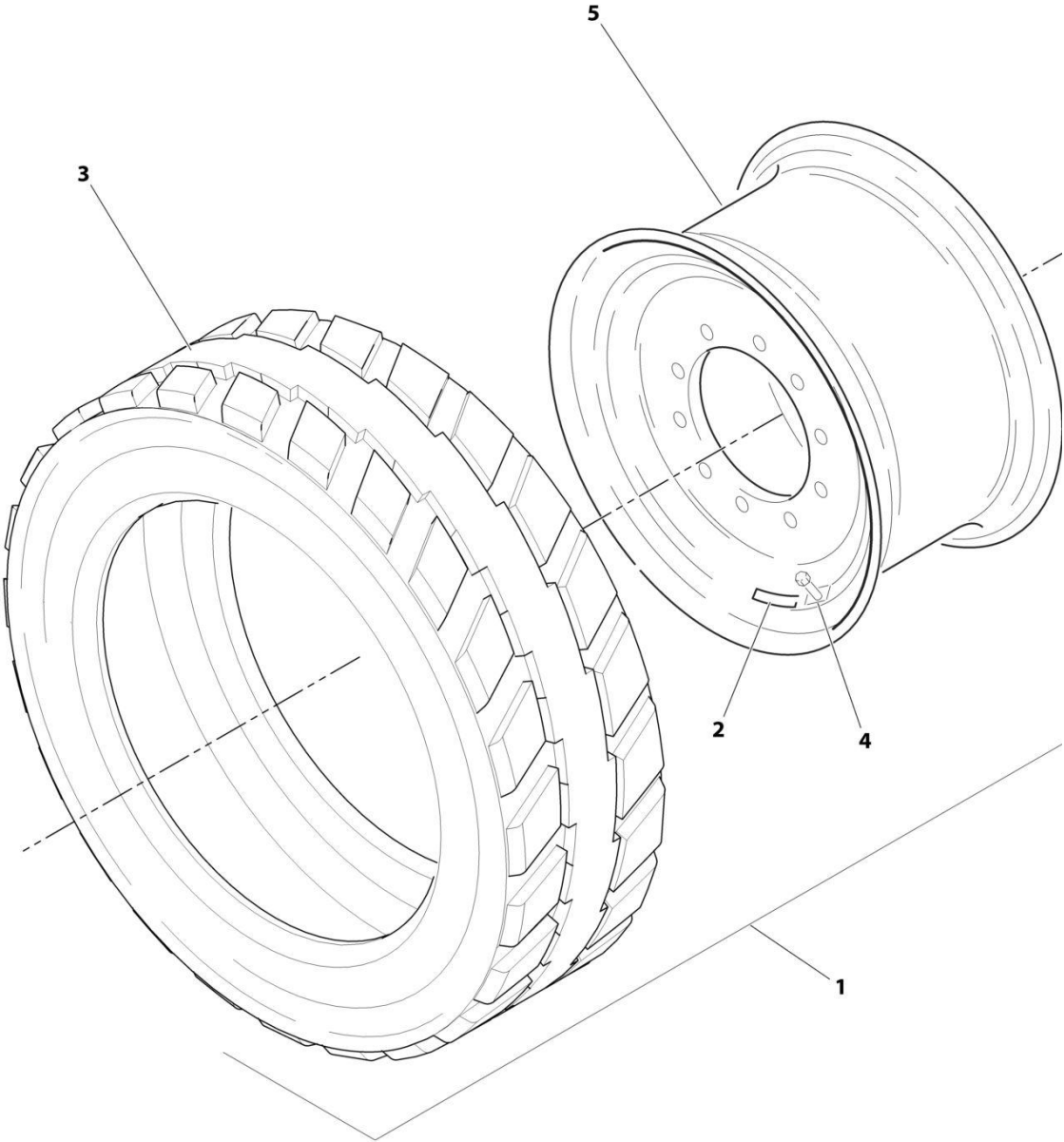
SECTION 1 - FRAME

FIGURE 1-10. TIRE/WHEEL - IN240/55 - 17.5 FOAM FILL

ITEM	PART NUMBER	QTY	DESCRIPTION	REV
1	0258996	Ref	TIRE AND WHEEL INSTALLATION	1
	0258997	4	Tire Assembly	C
	See Note	Ref	Note: Assemblies may require ballast/foam filling to manufacture's specifications prior to installing on a machine. Refer to Operation & Safety or Service & Maintenance Manuals. Purchase Individual tire and/or rim only if able to foam fill tire & wheel assembly, otherwise, purchase complete assembly	
2	4520209	1	Tire, OTR, IN240/55-17.5	
3	4860191	1	Rim, Wheel	
4	4641122	1	Valve, Stem	

SECTION 1 - FRAME

FIGURE 1-11. TIRE/WHEEL - IN240/55-17.5 PNEU. NON MARKING



ART_0273683

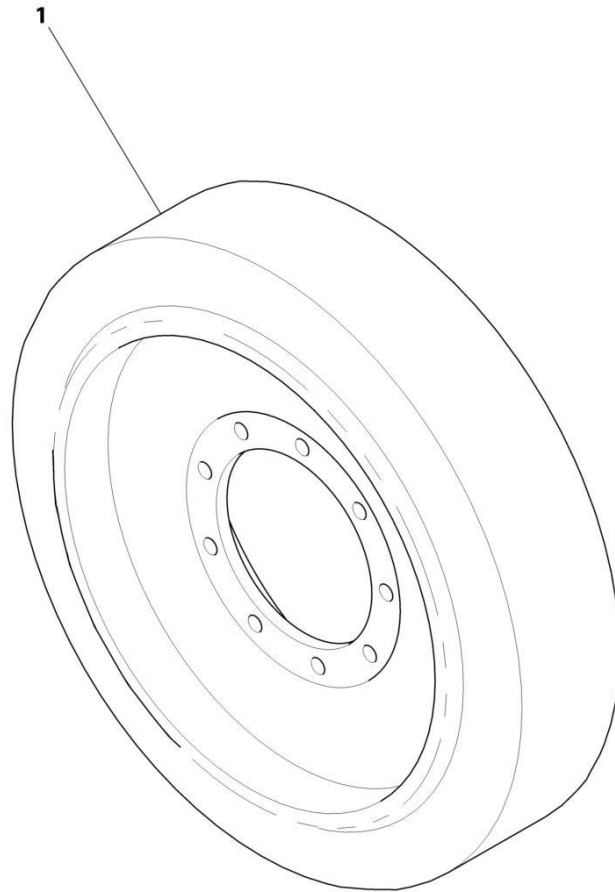
SECTION 1 - FRAME

FIGURE 1-11. TIRE/WHEEL - IN240/55-17.5 PNEU. NON MARKING

ITEM	PART NUMBER	QTY	DESCRIPTION	REV
	0273683	Ref	TIRE AND WHEEL INSTALLATION	A
1	4520279	4	Tire Assembly	A
2	1702740	1	Decal - Tire Pressure	
3	4520269	1	Tire, OTR, IN240/55-17.5 Non Marking	
4	4641167	1	Valve, Stem	
5	4860191	1	Rim, Wheel	

SECTION 1 - FRAME

FIGURE 1-12. TIRE/WHEEL - 26 X 7 X 20 - SOLID NON MARKING



ART_0270037

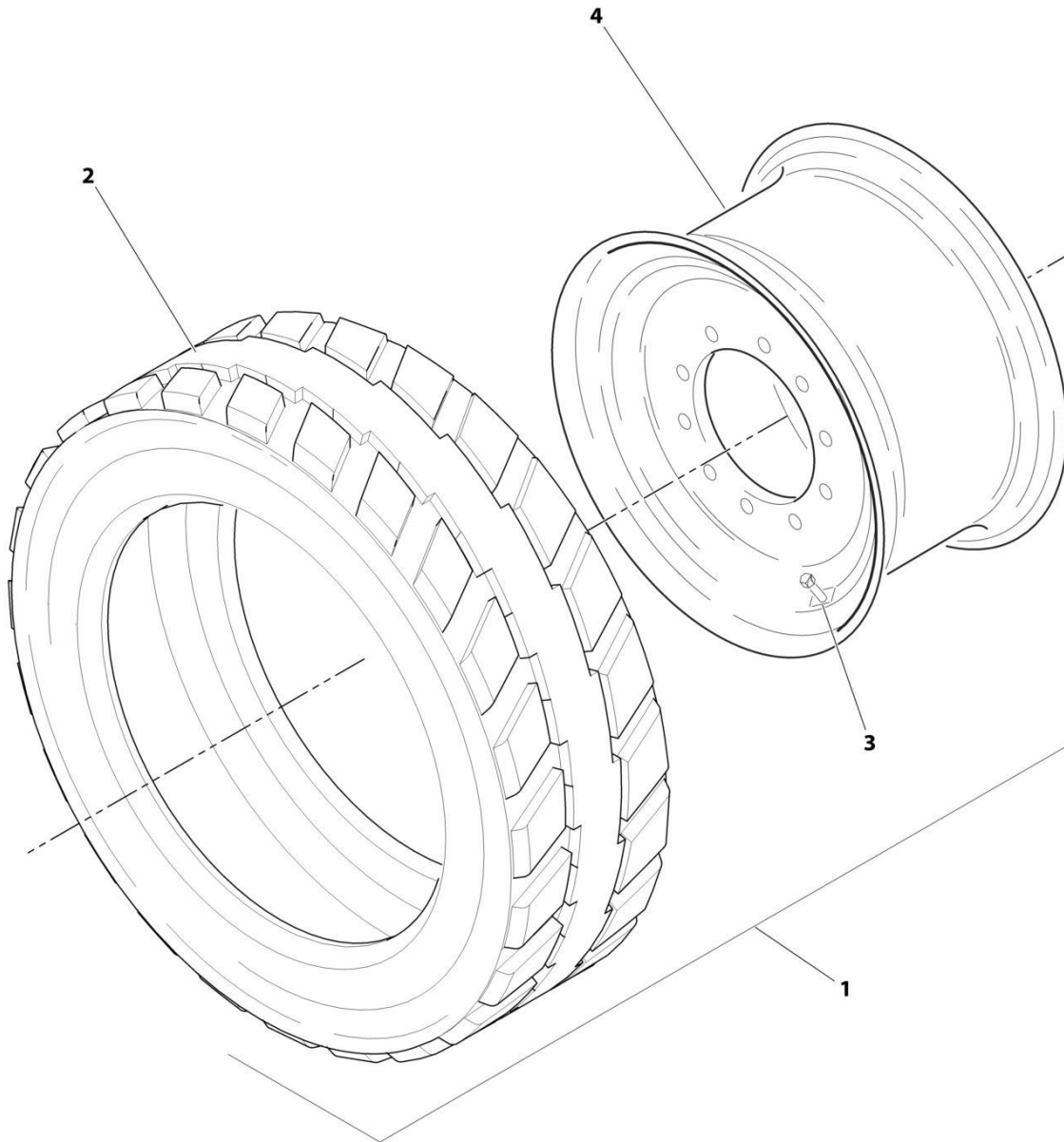
SECTION 1 - FRAME

FIGURE 1-12. TIRE/WHEEL - 26 X 7 X 20 - SOLID NON MARKING

ITEM	PART NUMBER	QTY	DESCRIPTION	REV
1	0270037 See Note 1001110775	Ref Ref 4	TIRE AND WHEEL INSTALLATION Note: Must replace Tire and Wheel Assemblies in pairs per axle. Tire Assembly	2 B

SECTION 1 - FRAME

FIGURE 1-13. TIRE/WHEEL - IN240/55-17.5 FOAM FILLNON MARKING



ART_0273684

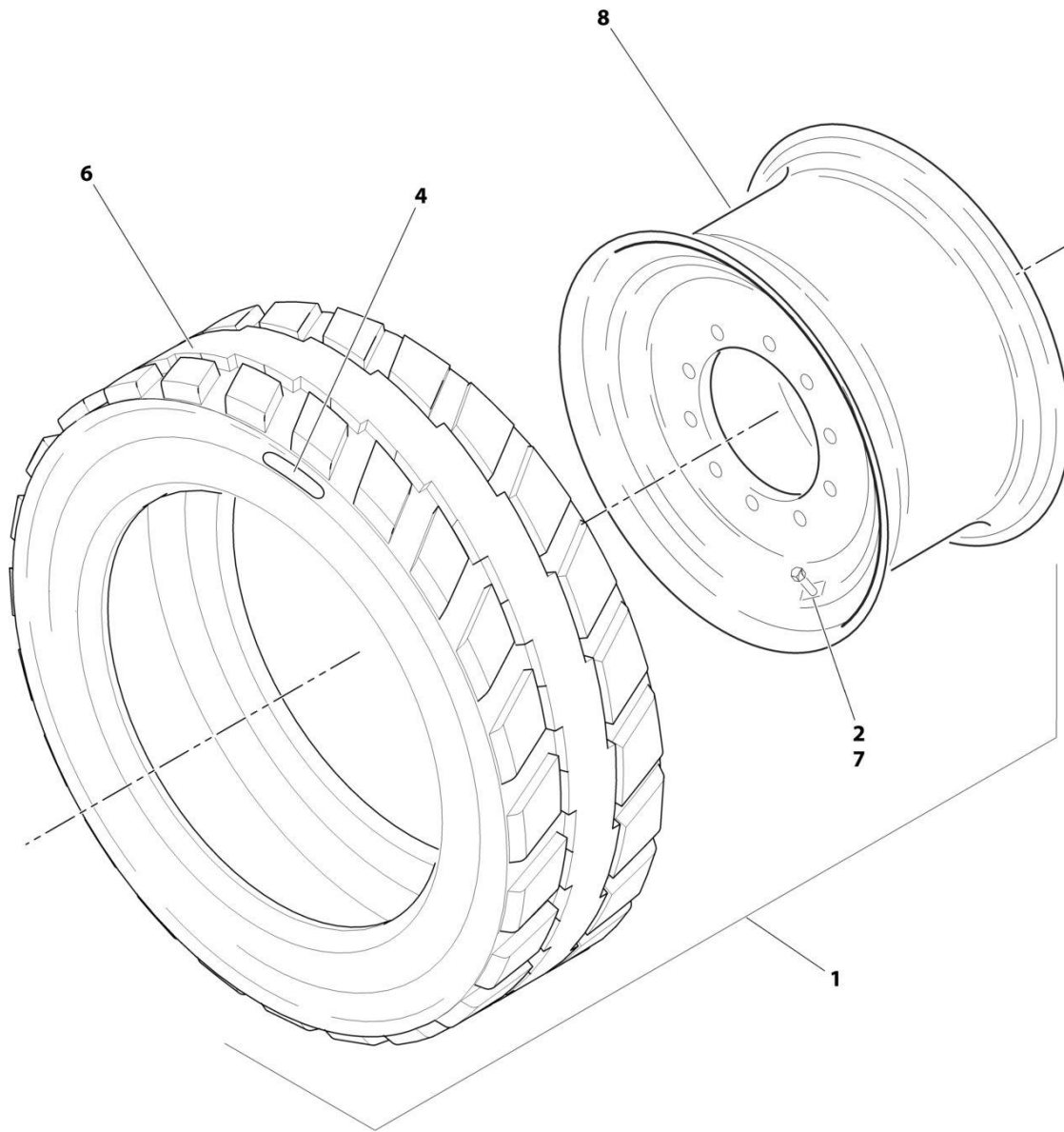
SECTION 1 - FRAME

FIGURE 1-13. TIRE/WHEEL - IN240/55-17.5 FOAM FILLNON MARKING

ITEM	PART NUMBER	QTY	DESCRIPTION	REV
	0273684	Ref	TIRE AND WHEEL INSTALLATION	A
1	0273468	4	Tire Assembly	F
2	4520269	1	Tire, OTR, IN240/55-17.5 Foam Filled Non Marking	
3	4641122	1	Valve, Stem	
4	4860191	1	Rim, Wheel	

SECTION 1 - FRAME

FIGURE 1-14. TIRE/WHEEL - IN240/55-17.5 PNEUMATIC NON MARKING TS



ART_0273686

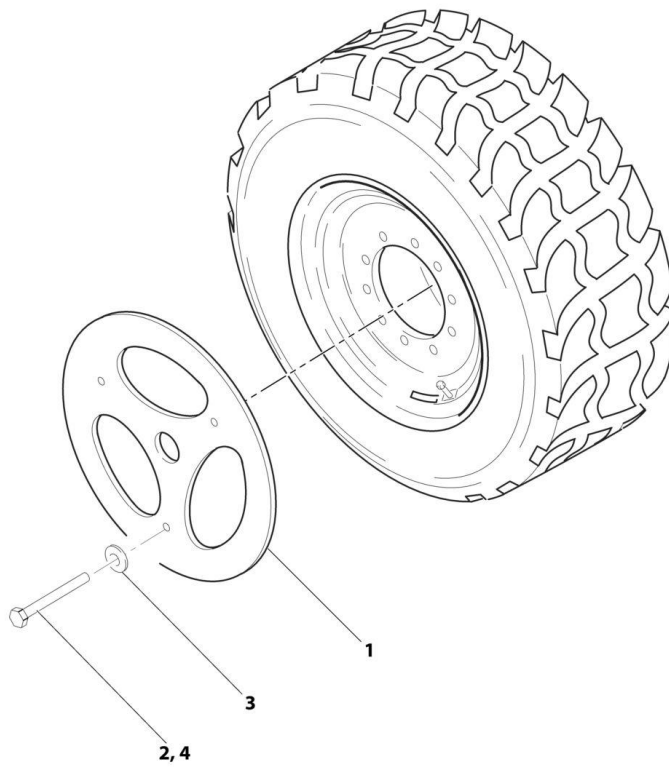
SECTION 1 - FRAME

FIGURE 1-14. TIRE/WHEEL - IN240/55-17.5 PNEUMATIC NON MARKING TS

ITEM	PART NUMBER	QTY	DESCRIPTION	REV
	0273686	Ref	TIRE AND WHEEL INSTALLATION	A
1	4520282	1	Tire Assembly	A
2	1120552	1	Cap, Valve Stem (Green)	
3	1300019	AR	Sealant, Tire (Not Shown)	
4	1702740	1	Decal - Tire Pressure	
5	1705364	1	Decal - Tire Sealant (Not Shown)	
6	4520269	1	Tire, OTR, IN240/55-17.5 Penu. Non Marking	
7	4641167	1	Valve, Stem	
8	4860191	1	Rim, Stem	

SECTION 1 - FRAME

FIGURE 1-15. WHEEL COVER INSTALLATION - IN240/55-17.5 TIRES ONLY



ART_0259302

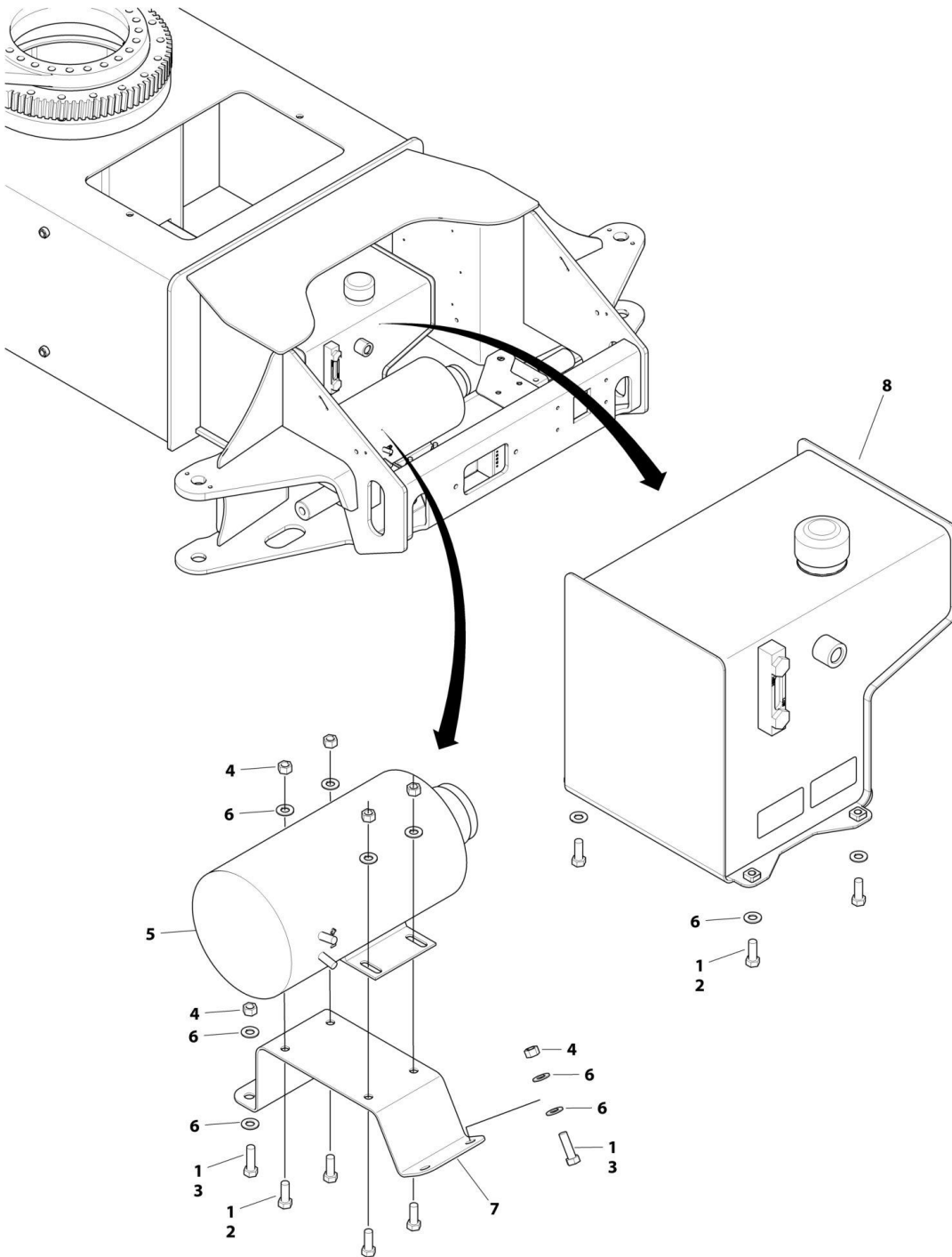
SECTION 1 - FRAME

FIGURE 1-15. WHEEL COVER INSTALLATION - IN240/55-17.5 TIRES ONLY

ITEM	PART NUMBER	QTY	DESCRIPTION	REV
	0259302	Ref	WHEEL COVER INSTALLATION (IN240/55-17.5 TIRES ONLY)	1
1	1670887	4	Cover, Wheel	
2	0641542	12	Bolt, 5/16-18 x 5-1/4	
3	4711500	12	Washer, 5/16	
4	0100011	AR	Compound, Locking	

SECTION 1 - FRAME

FIGURE 1-16. MOTOR/PUMP/TANK - E450A/E450AJ



ART_1001166417

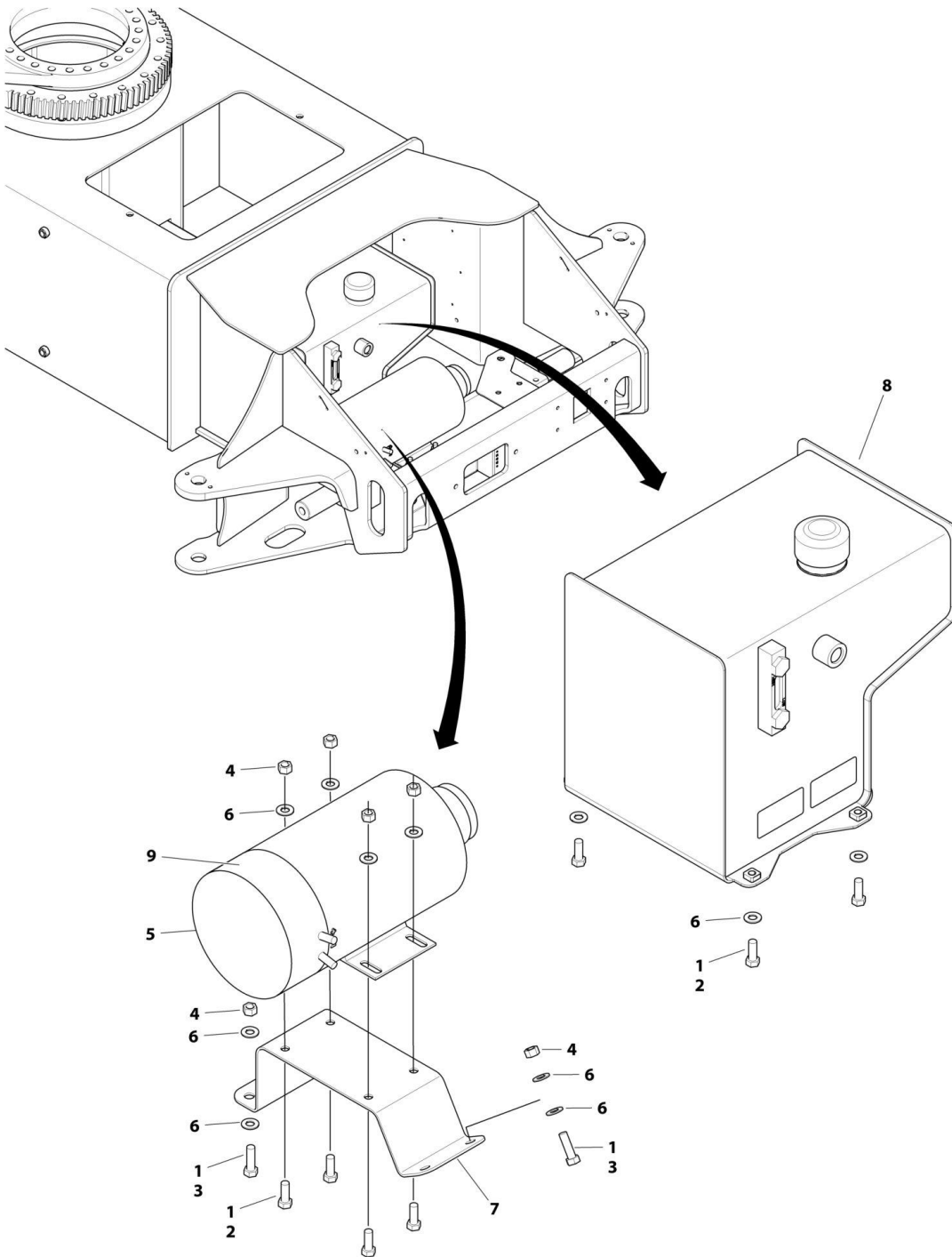
SECTION 1 - FRAME

FIGURE 1-16. MOTOR/PUMP/TANK - E450A/E450AJ

ITEM	PART NUMBER	QTY	DESCRIPTION	REV
	1001166417	Ref	MOTOR/PUMP/TANK INSTALLATION	C
1	0100011	AR	Compound, Locking	
2	0641608	8	Bolt, 3/8-16 x 1	
3	0641610	4	Bolt, 3/8-16 x 1-1/4	
4	3311601	8	Nut, 3/8-16	
5	3600289	1	Motor/Pump Assembly (See MOTOR/PUMP ASSEMBLY for Breakdown)	
6	4751600	16	Washer, 3/8	
7	1001166419	1	Plate, Mounting	
8	1001171213	1	Tank, Hydraulic (See HYDRAULIC TANK ASSEMBLY for Breakdown)	

SECTION 1 - FRAME

FIGURE 1-17. MOTOR/PUMP/TANK - E450A/E450AJ - UL LISTED



ART_1001167487

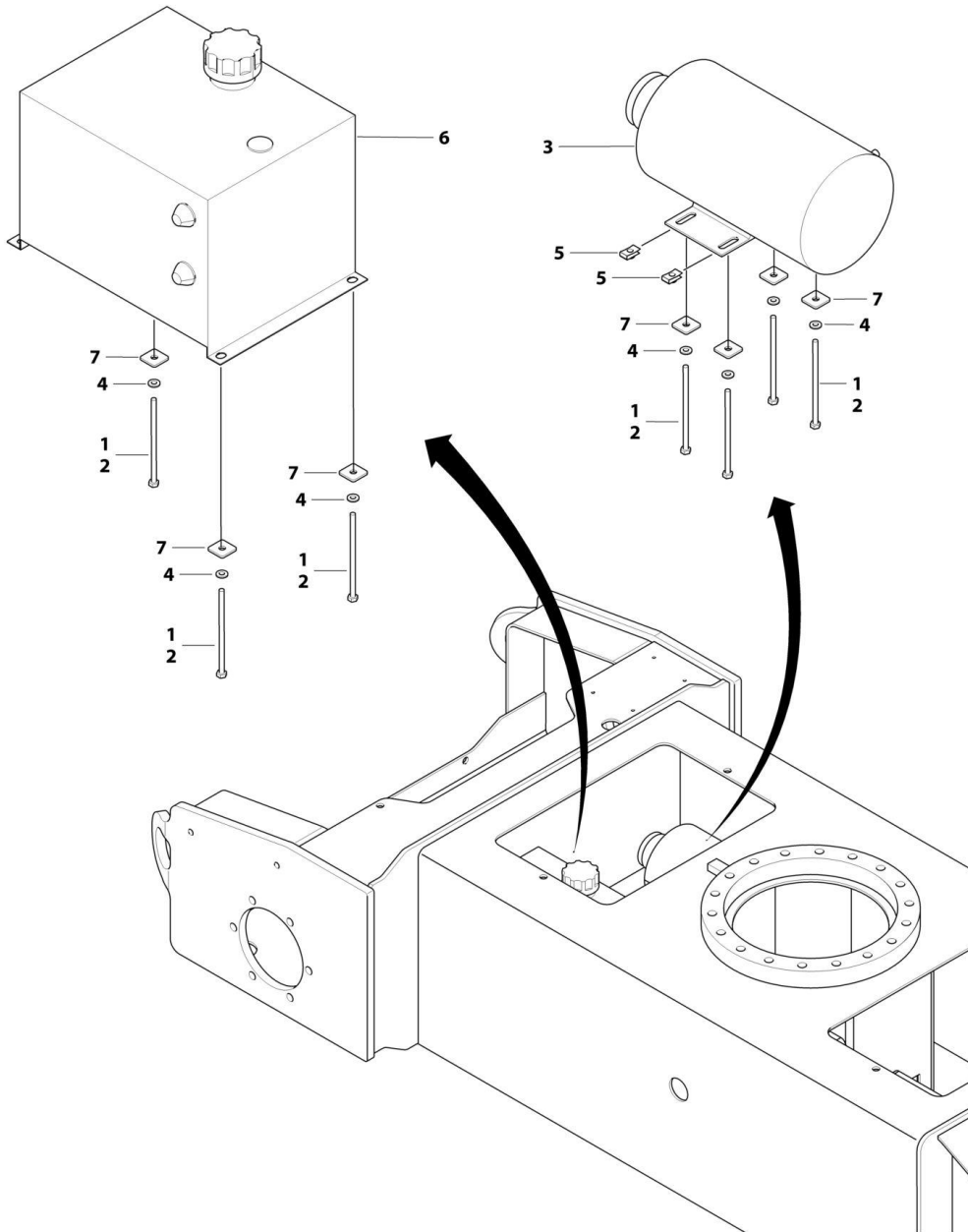
SECTION 1 - FRAME

FIGURE 1-17. MOTOR/PUMP/TANK - E450A/E450AJ - UL LISTED

ITEM	PART NUMBER	QTY	DESCRIPTION	REV
	1001167487	Ref	MOTOR/PUMP/TANK INSTALLATION	C
1	0100011	AR	Compound, Locking	
2	0641608	8	Bolt, 3/8-16 x 1	
3	0641610	4	Bolt, 3/8-16 x 1-1/4	
4	3311601	8	Nut, 3/8-16	
5	3600289	1	Motor/Pump Assembly (See MOTOR/PUMP ASSEMBLY for Breakdown)	
6	4751600	16	Washer, 3/8	
7	1001166419	1	Plate, Mounting	
8	1001171213	1	Tank Hydraulic (See HYDRAULIC TANK ASSEMBLY for Breakdown)	
9	0340048	1	Band, Motor	

SECTION 1 - FRAME

FIGURE 1-18. MOTOR/PUMP/TANK - M450AJ



ART_1001167363

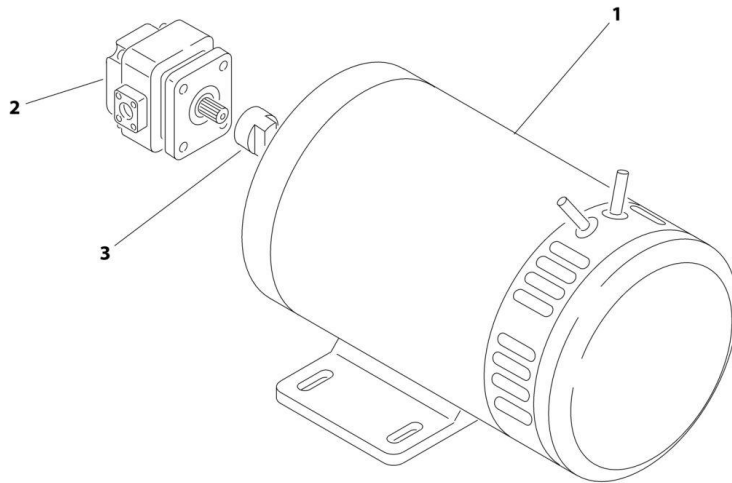
SECTION 1 - FRAME

FIGURE 1-18. MOTOR/PUMP/TANK - M450AJ

ITEM	PART NUMBER	QTY	DESCRIPTION	REV
	1001167363	Ref	MOTOR/PUMP/TANK INSTALLATION	B
1	0100011	AR	Compound, Locking	
2	0641440	7	Bolt, 1/4-20 X 5	
3	3600289	1	Motor/Pump Assembly (See MOTOR/PUMP ASSEMBLY for Breakdown)	
4	4711400	7	Washer, 1/4	
5	3300454	4	Nut, 1/4-20	
6	1001171214	1	Tank, Hydraulic (See HYDRAULIC TANK ASSEMBLY for Breakdown)	
7	1001167291	7	Washer	

SECTION 1 - FRAME

FIGURE 1-19. MOTOR/PUMP ASSEMBLY



ART_3600289

FIGURE 1-19. MOTOR/PUMP ASSEMBLY

ITEM	PART NUMBER	QTY	DESCRIPTION	REV
	3600289	Ref	MOTOR/PUMP ASSEMBLY	A
1	7021318	1	Motor Assembly	
1	7021361	1	Brush Kit	
1	70003171	1	Spring, Brush	
1	70001961	1	Seal, Oil	
2	7021319	1	Pump Assembly	
2	7021377	1	Seal Kit	
3	7021367	1	Coupling	

SECTION 1 - FRAME

FIGURE 1-20. HYDRAULIC TANK ASSEMBLY - E450A/E450AJ

NOTE: ILLUSTRATION NOT AVAILABLE AT TIME ON PRINTING

SECTION 1 - FRAME

FIGURE 1-20. HYDRAULIC TANK ASSEMBLY - E450A/E450AJ

ITEM	PART NUMBER	QTY	DESCRIPTION	REV
	1001171213	Ref Ref	HYDRAULIC TANK ASSEMBLY Note: Service parts not available at time of printing.	A

SECTION 1 - FRAME

FIGURE 1-21. HYDRAULIC TANK ASSEMBLY - M450AJ

NOTE: ILLUSTRATION NOT AVAILABLE AT TIME ON PRINTING

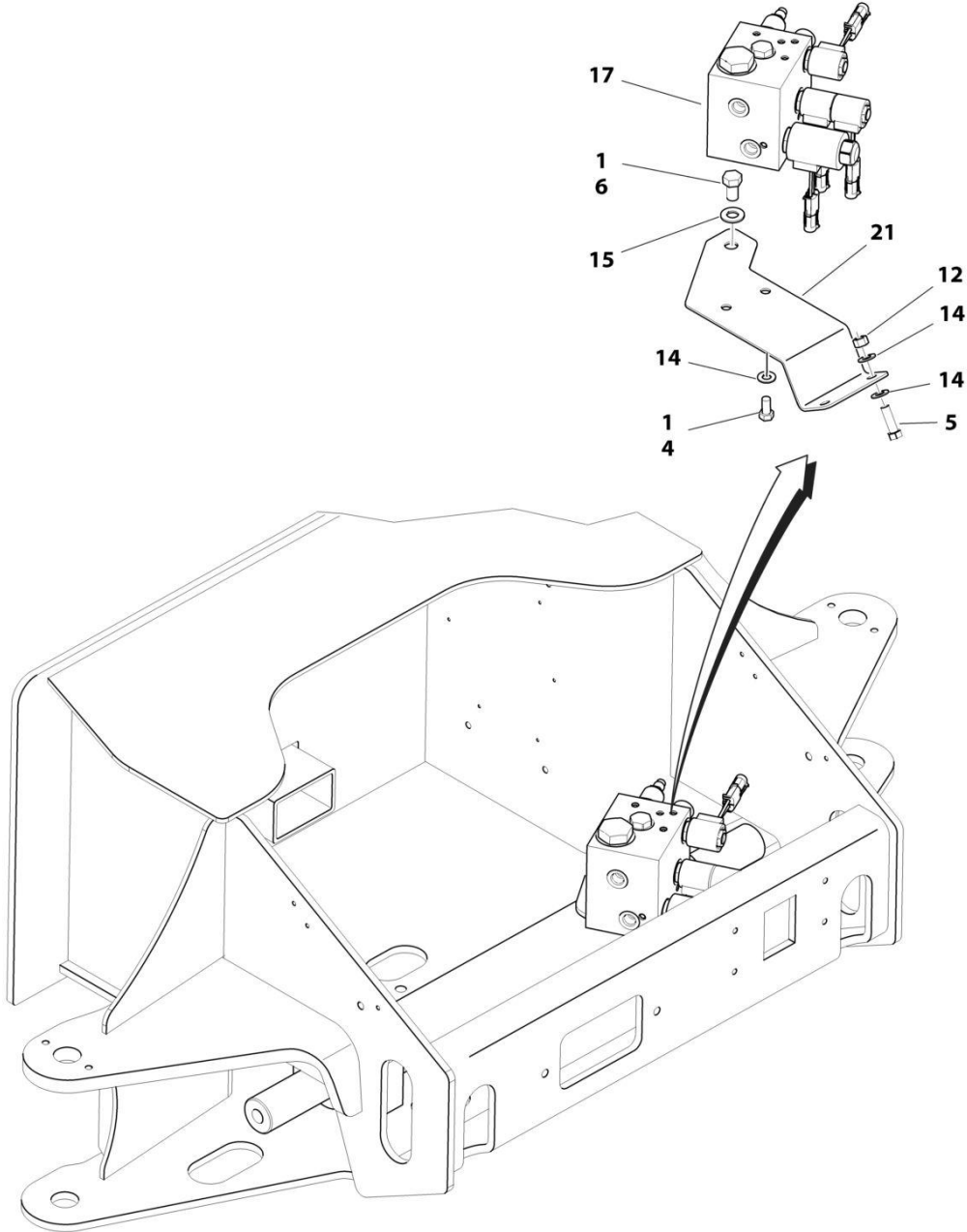
SECTION 1 - FRAME

FIGURE 1-21. HYDRAULIC TANK ASSEMBLY - M450AJ

ITEM	PART NUMBER	QTY	DESCRIPTION	REV
	1001171214	Ref Ref	HYDRAULIC TANK (M450AJ) Note: Service parts not available at time of printing.	A

SECTION 1 - FRAME

FIGURE 1-22. VALVE INSTALLATION - FRAME MOUNTED - E450A



ART_1001166438_10F2

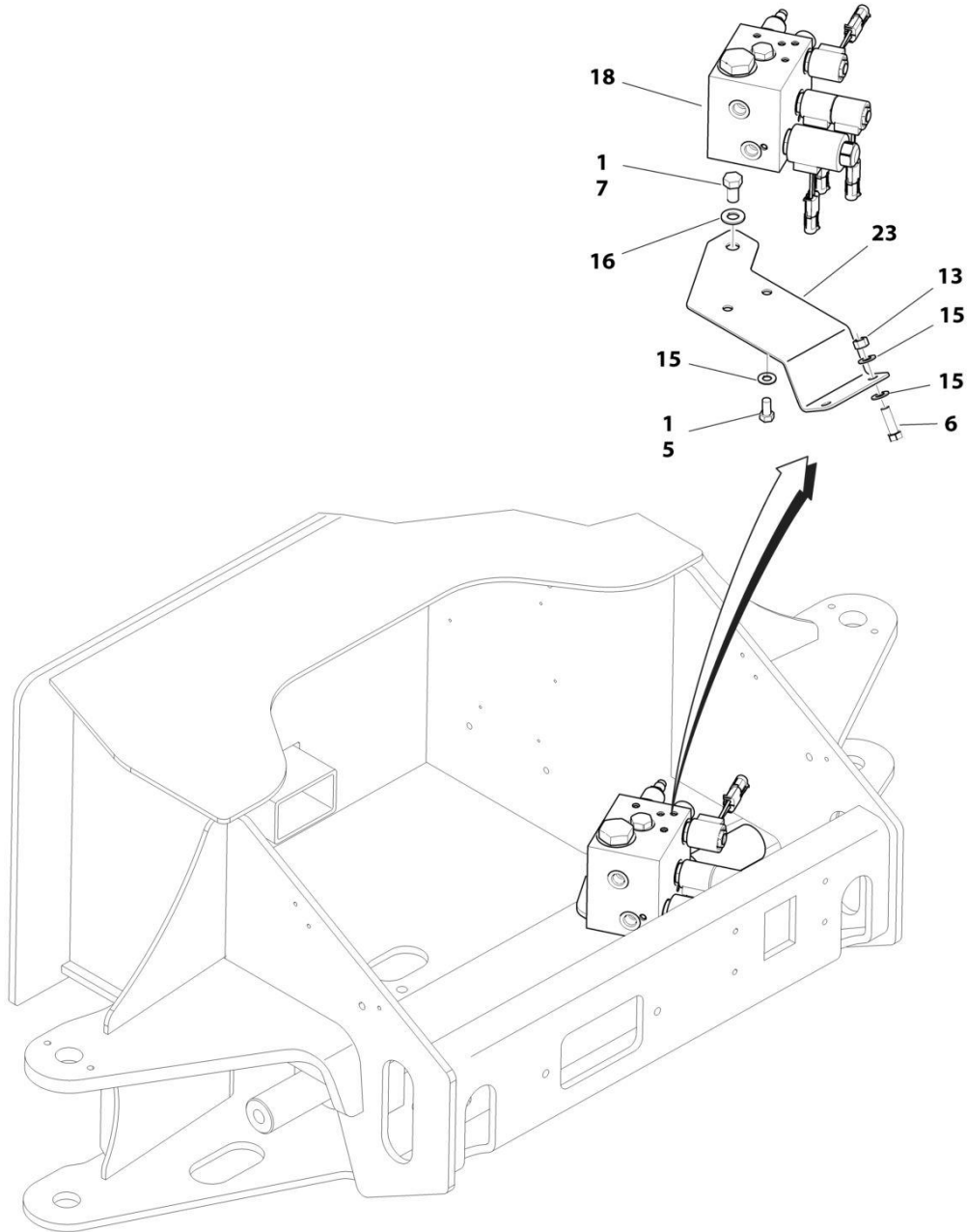
SECTION 1 - FRAME

FIGURE 1-22. VALVE INSTALLATION - FRAME MOUNTED - E450A

ITEM	PART NUMBER	QTY	DESCRIPTION	REV
	1001166438	Ref	CONTROL VALVE INSTALLATION (E450A)	C
1	0100011	AR	Compound, Locking	
4	0641606	6	Bolt, 3/8-16 X 3/4	
5	0641610	2	Bolt, 3/8-16 X 1-1/4	
6	0641807	1	Bolt, 1/2-13 X 7/8	
12	3311605	2	Nut, Lock, 3/8-16	
14	4711600	6	Washer, 3/8	
15	4711800	1	Washer, 1/2	
17	1001097506	1	Brake/Steer Control Valve Assembly (See BRAKE/STEER VALVE ASSEMBLY for Breakdown)	
21	1001166420	1	Bracket, Mounting	
22	1001170991	1	Harness Assembly - Brake/Steer Control Valve (Not Shown - See ELECTRICAL SECTION for Breakdown)	

SECTION 1 - FRAME

FIGURE 1-23. VALVE INSTALLATION - FRAME MOUNTED - E450AJ



ART_1001166439_Pg 1 of 2

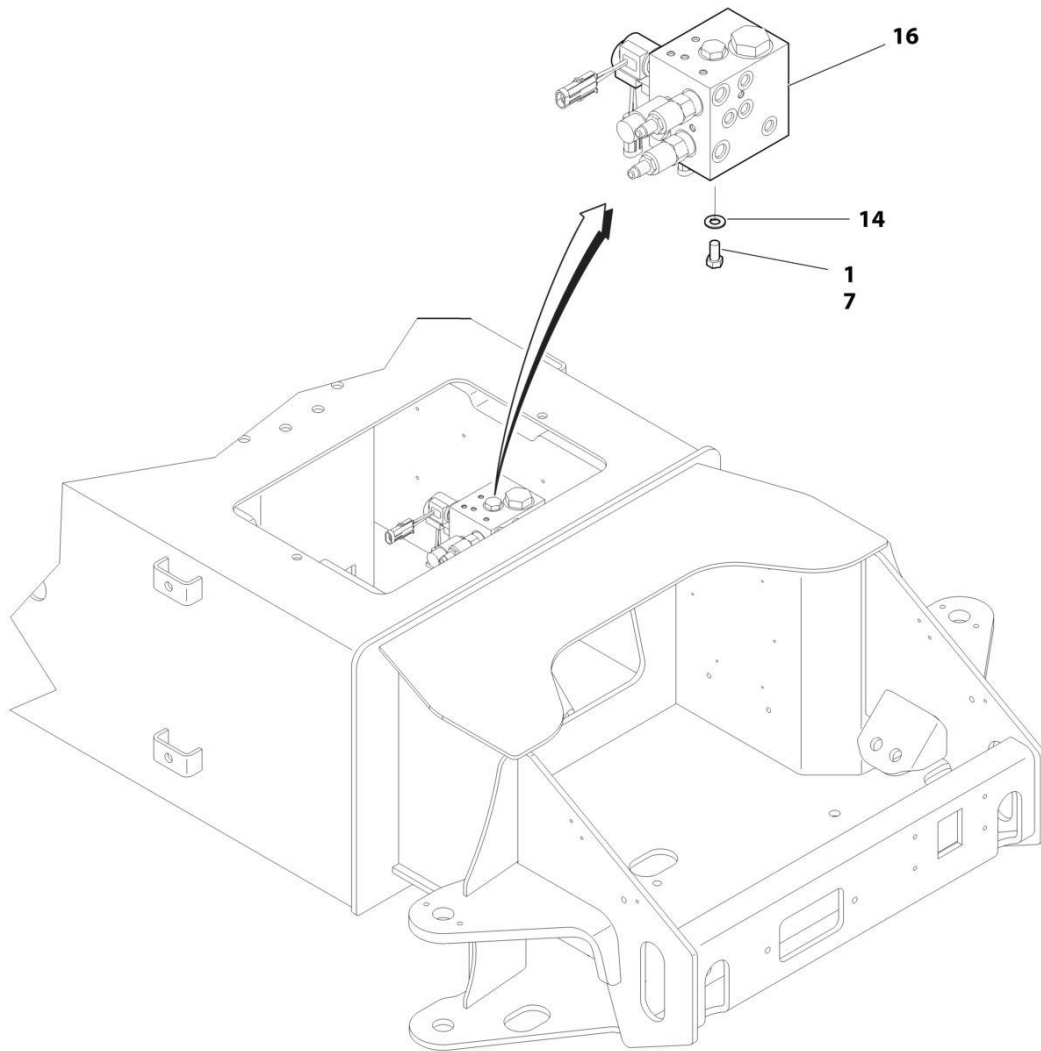
SECTION 1 - FRAME

FIGURE 1-23. VALVE INSTALLATION - FRAME MOUNTED - E450AJ

ITEM	PART NUMBER	QTY	DESCRIPTION	REV
	1001166439	Ref	CONTROL VALVE INSTALLATION (E450AJ)	C
1	0100011	AR	Compound, Locking	
5	0641606	2	Bolt, 3/8-16 X 3/4	
6	0641610	2	Bolt, 3/8-16 X 1-1/4	
7	0641807	1	Bolt, 1/2-13 X 7/8	
13	3311605	2	Nut, Lock, 3/8-16	
15	4711600	6	Washer, 3/8	
16	4711800	1	Washer, 1/2	
18	1001097506	1	Brake/Steer Control Valve Assembly (See BRAKE/STEER VALVE ASSEMBLY for Breakdown)	
23	1001166420	1	Bracket, Mounting	
24	1001170991	1	Harness Assembly - Brake/Steer Control Valve (Not Shown - See ELECTRICAL SECTION for Breakdown)	

SECTION 1 - FRAME

FIGURE 1-24. VALVE INSTALLATION - FRAME MOUNTED - M450AJ



ART_1001167360_10F2

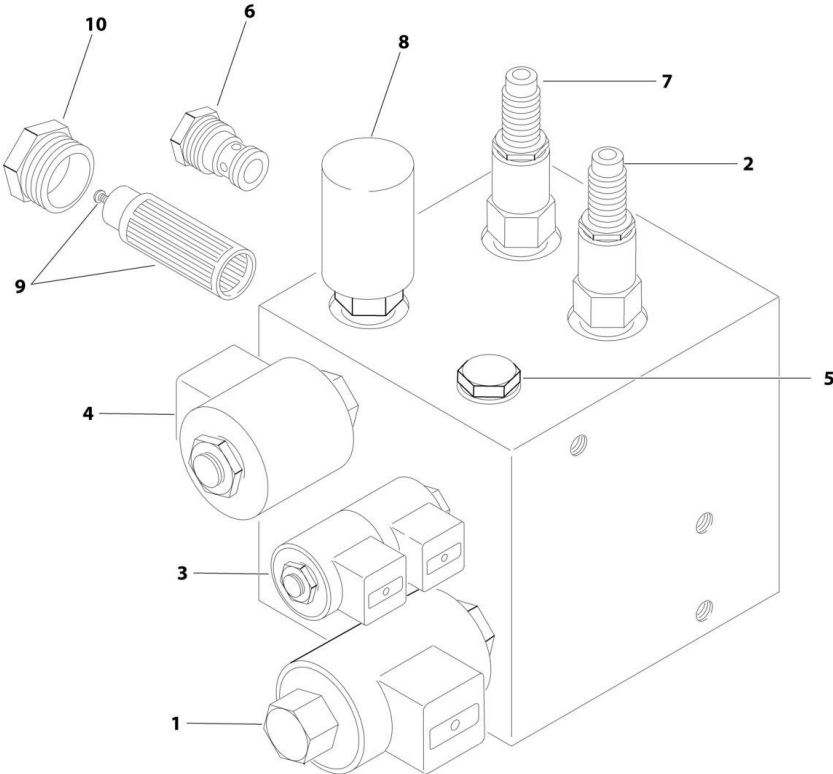
SECTION 1 - FRAME

FIGURE 1-24. VALVE INSTALLATION - FRAME MOUNTED - M450AJ

ITEM	PART NUMBER	QTY	DESCRIPTION	REV
	1001167360	Ref	CONTROL VALVE INSTALLATION (M450AJ)	B
1	0100011	AR	Compound, Locking	
7	0641606	6	Bolt, 3/8-16 X 3/4	
14	4711600	6	Washer, 3/8	
16	1001097506	1	Brake/Steer Control Valve Assembly (See BRAKE/STEER VALVE ASSEMBLY for Breakdown)	
20	1001171115	1	Harness Assembly - Brake/Steer Control Valve (Not Shown - See ELECTRICAL SECTION for Breakdown)	

SECTION 1 - FRAME

FIGURE 1-25. BRAKE/STEER VALVE ASSEMBLY



ART_1001097506

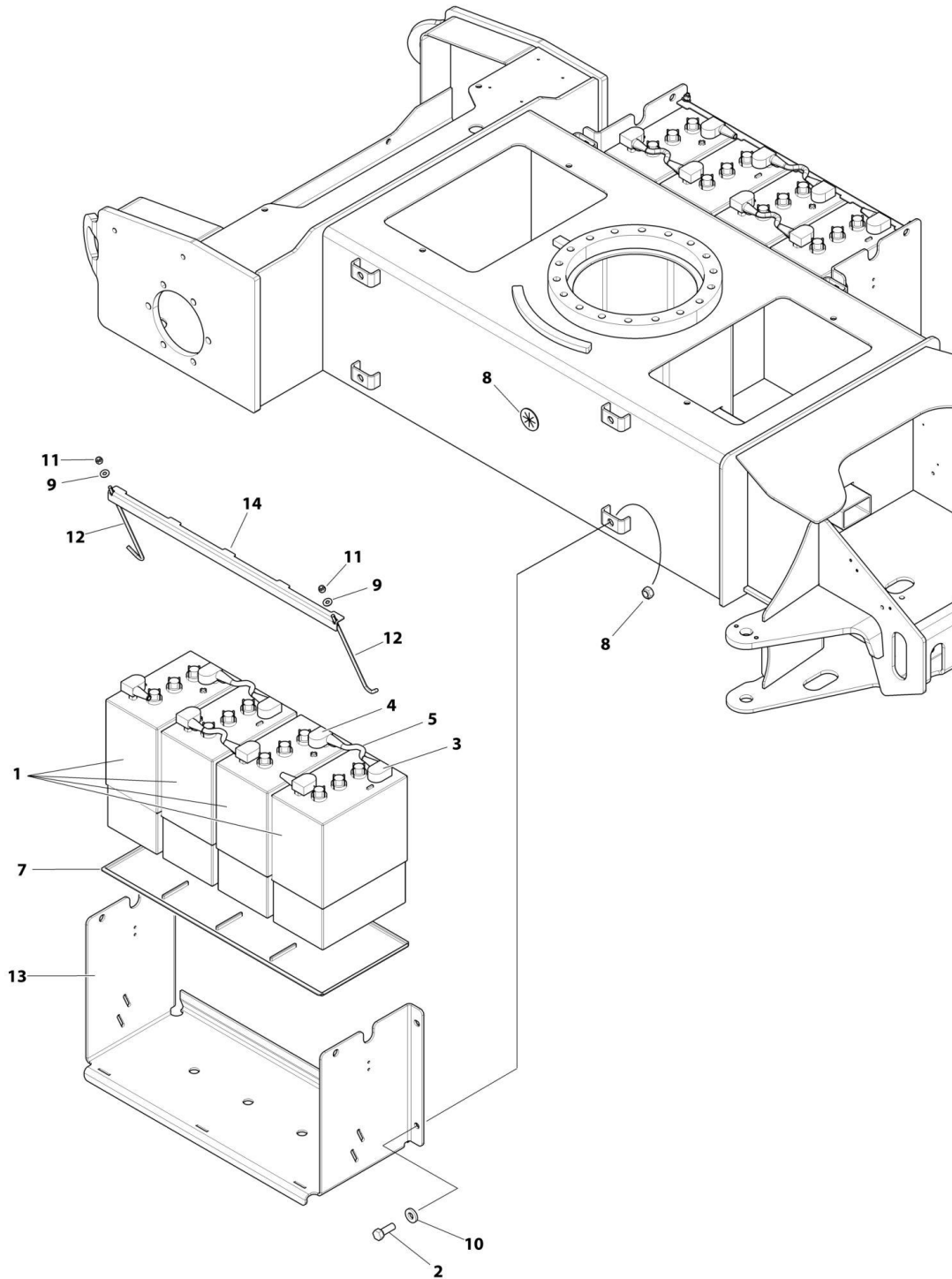
SECTION 1 - FRAME

FIGURE 1-25. BRAKE/STEER VALVE ASSEMBLY

ITEM	PART NUMBER	QTY	DESCRIPTION	REV
	1001097506	Ref	BRAKE/STEER VALVE ASSEMBLY	D
1	7021611	1	Cartridge, Proportional without Coil (Flow Control)	
1	7012518	1	Seal Kit - 7021611 Cartridge	
1	7021618	1	Coil	
2	7021659	1	Cartridge, Relief (Main)	
2	7012972	1	Seal Kit - 7021659	
3	7017433	1	Cartridge, without Coil (Steer)	
3	7017402	1	Seal Kit - 7017433 Cartridge	
3	7021609	2	Coil	
4	7012941	1	Cartridge, without Coil (Brake Release)	
4	7010543	1	Seal Kit - 7012941 Cartridge	
4	7021609	1	Coil	
5	7022391	1	Cartridge, Check	
5	7012967	1	Seal Kit - 7022391 Cartridge	
6	7010542	1	Cartridge, Shuttle	
6	7010543	1	Seal Kit - 7010542 Cartridge	
7	7017488	1	Cartridge, Relief (Steer)	
7	7012998	1	Seal Kit - 7017488 Cartridge	
8	7021619	1	Switch, Pressure	
9	7021616	1	Cartridge, Filter	
10	7024832	1	Plug	

SECTION 1 - FRAME

FIGURE 1-26. BATTERY BOX INSTALLATION



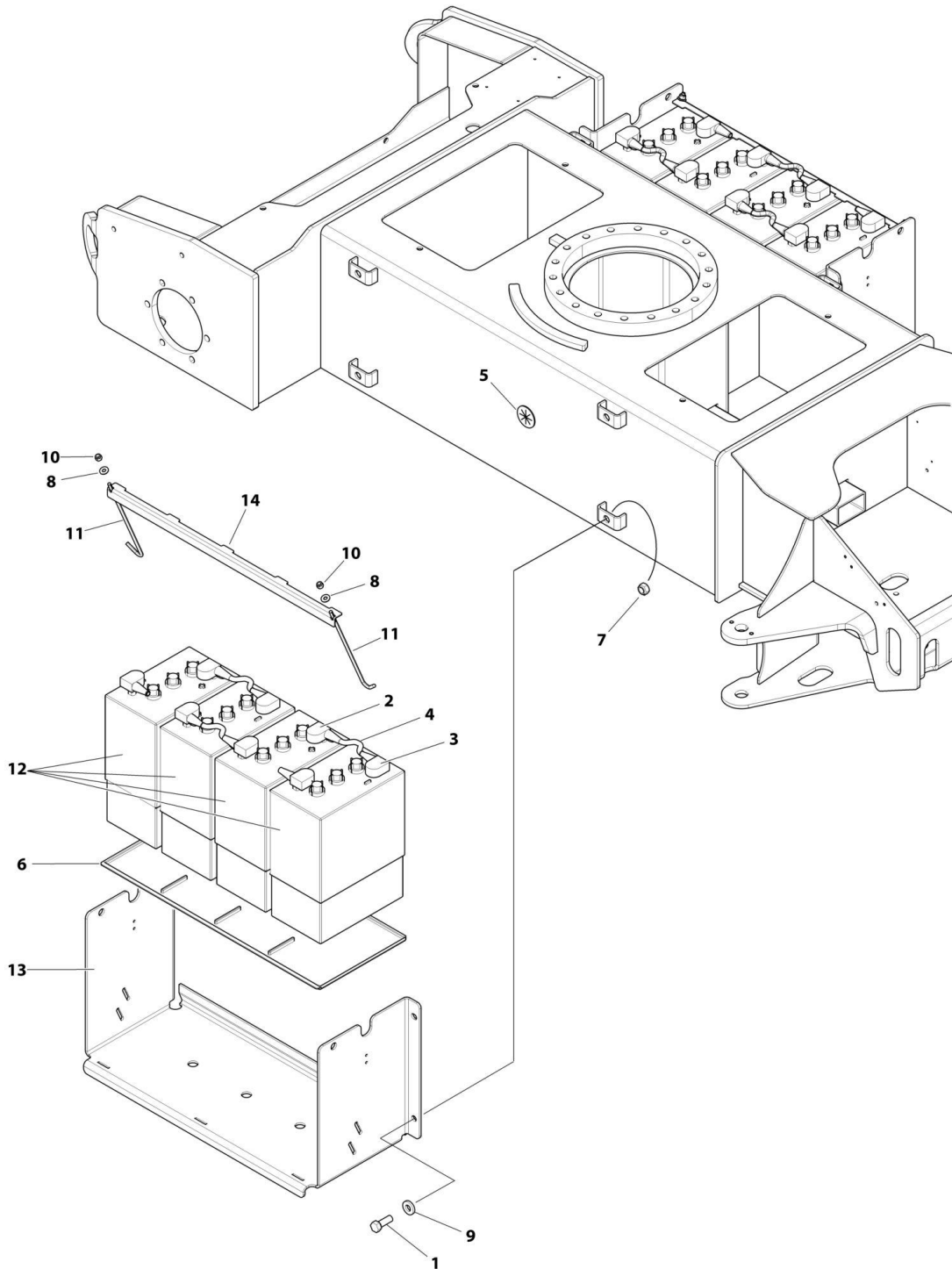
ART_1001166497

FIGURE 1-26. BATTERY BOX INSTALLATION

ITEM	PART NUMBER	QTY	DESCRIPTION	REV
	1001166497	Ref	BATTERY BOX INSTALLATION	A
1	0400055	8	Battery (Wet)	
1	7016177	8	Battery (Dry)	
2	0641811	8	Bolt, 1/2-13 X 1-3/8	
3	0840031	8	Boot, Terminal d Shaped	
4	0840032	8	Boot, Terminal b Shaped	
5	1060092	6	Cable, Battery	
6	2540045	2	Grommet	
7	3000003	2	Liner, Battery Box	
8	3311805	8	Nut, Lock, 1/2-13	
9	4751500	4	Washer, 5/16	
10	4751800	16	Washer, 1/2	
11	88521205	4	Nut, Lock, 5/16-18	
12	1001093382	4	Bolt, J-Bolt	
13	1001166495	2	Tray, Battery	
14	1001166496	2	Battery Hold Down	

SECTION 1 - FRAME

FIGURE 1-27. BATTERY BOX INSTALLATION - AGM BATTERIES



ART_1001166498

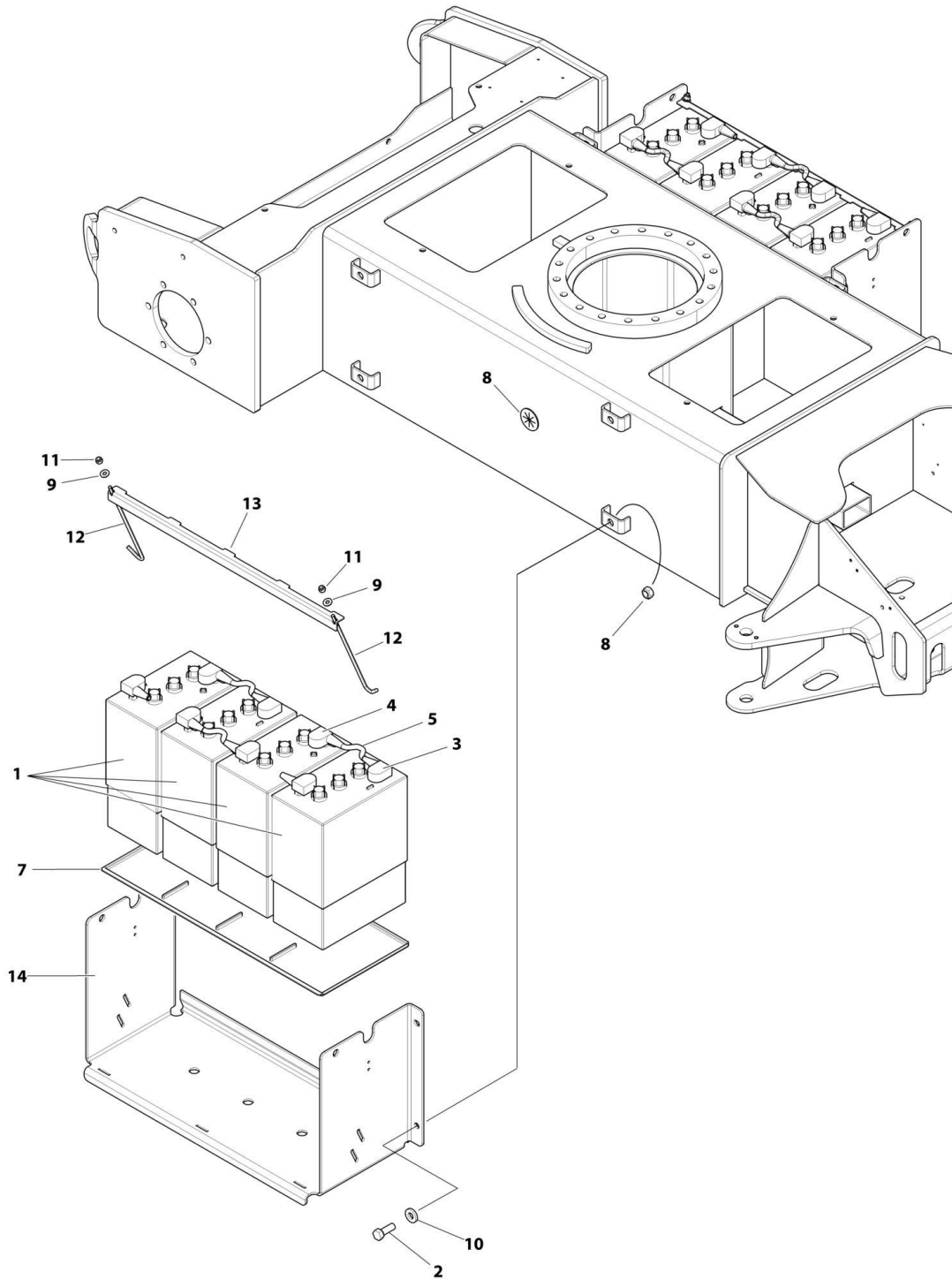
SECTION 1 - FRAME

FIGURE 1-27. BATTERY BOX INSTALLATION - AGM BATTERIES

ITEM	PART NUMBER	QTY	DESCRIPTION	REV
	1001166498	Ref	BATTERY BOX INSTALLATION (AGM BATTERIES)	A
1	0641811	8	Bolt, 1/2-13 X 1-3/8	
2	0840031	8	Boot, Terminal d Shaped	
3	0840032	8	Boot, Terminal b Shaped	
4	1060092	6	Cable, Battery	
5	2540045	2	Grommet	
6	3000003	2	Liner, Battery Box	
7	3311805	8	Nut, Lock, 1/2-13	
8	4751500	4	Washer, 5/16	
9	4751800	16	Washer, 1/2	
10	88521205	4	Nut, Lock, 5/16-18	
11	1001093382	4	Bolt, J-Bolt	
12	1001114782	8	Battery (Wet) (AGM Batteries)	
13	1001166495	2	Tray, Battery	
14	1001166496	2	Battery Hold Down	

SECTION 1 - FRAME

FIGURE 1-28. BATTERY BOX INSTALLATION - CE



ART_1001168670

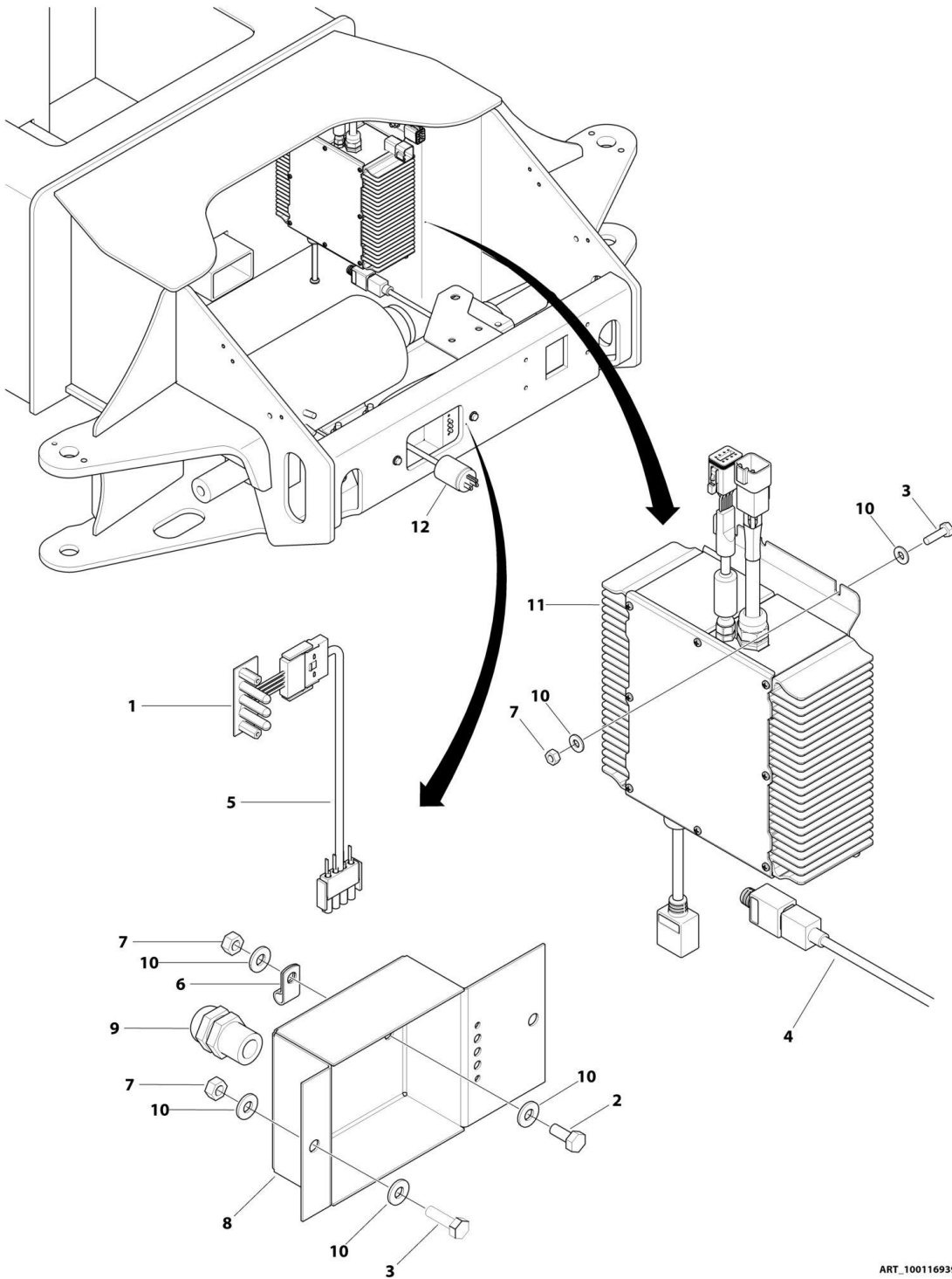
SECTION 1 - FRAME

FIGURE 1-28. BATTERY BOX INSTALLATION - CE

ITEM	PART NUMBER	QTY	DESCRIPTION	REV
	1001168670	Ref	BATTERY BOX INSTALLATION (CE)	A
1	0400055	8	Battery (Wet)	
1	7016177	8	Battery (Dry)	
2	0641811	8	Bolt, 1/2-13 X 1-3/8	
3	0840031	8	Boot, Terminal d Shaped	
4	0840032	8	Boot, Terminal b Shaped	
5	1060092	6	Cable, Battery	
6	2540045	2	Grommet	
7	3000003	2	Liner, Battery Box	
8	3311805	8	Nut, Lock, 1/2-13	
9	4751500	4	Washer, 5/16	
10	4751800	16	Washer, 1/2	
11	88521205	4	Nut, Lock, 5/16-18	
12	1001093382	4	Bolt, J-Bolt	
13	1001166496	2	Battery Hold Down	
14	1001168800	2	Tray, Battery	

SECTION 1 - FRAME

FIGURE 1-29. BATTERY CHARGER INSTALLATION - E450A/E450AJ



ART_100116939

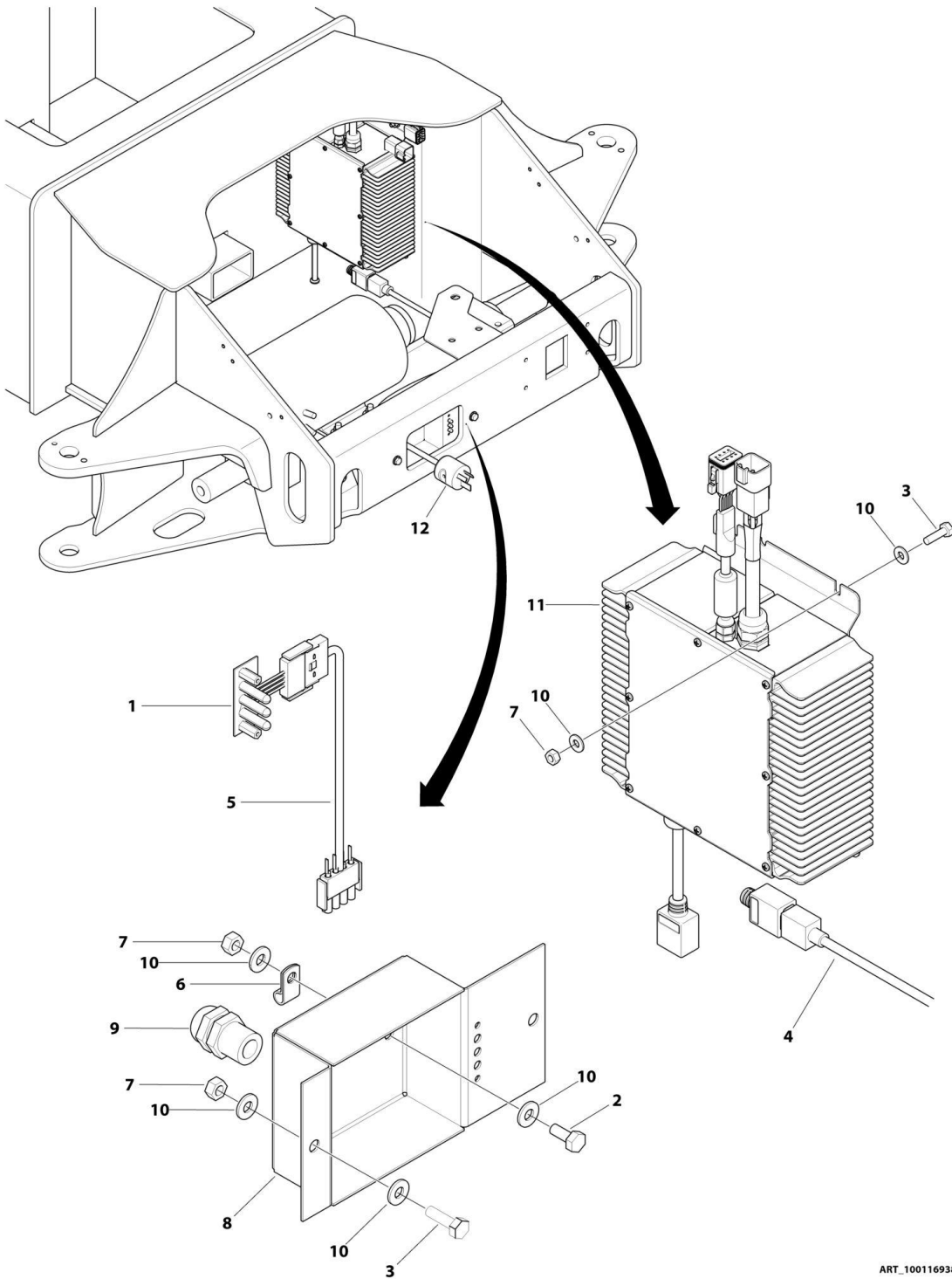
SECTION 1 - FRAME

FIGURE 1-29. BATTERY CHARGER INSTALLATION - E450A/E450AJ

ITEM	PART NUMBER	QTY	DESCRIPTION	REV
	1001166939	Ref	BATTERY CHARGER INSTALLATION (ALL SPECS EXCEPED CE & AUSTRALIAN SPECS)	A
1	0610131	1	Charger LED Assembly	
2	0641405	1	Bolt, 1/4-20 X 5/8	
3	0641407	6	Bolt, 1/4-20 X 7/8	
4	1060689	1	AC Cord	
5	1060778	1	LED,Remote Lead (See ELECTRICAL SECTION for Breakdown)	
6	1320136	1	Clamp	
7	3311405	7	Nut, Lock, 1/4-20	
8	3571834	1	Plate, Panel	
9	4460428	1	Connector,Strain Relief	
10	4711400	14	Washer, 1/4	
11	1001103105	1	Battery Charger Assembly (See ELECTRICAL SECTION for Breakdown)	
12	4460138	1	Plug, AC	

SECTION 1 - FRAME

FIGURE 1-30. BATTERY CHARGER INSTALLATION - E450A/E450AJ



ART_100116938

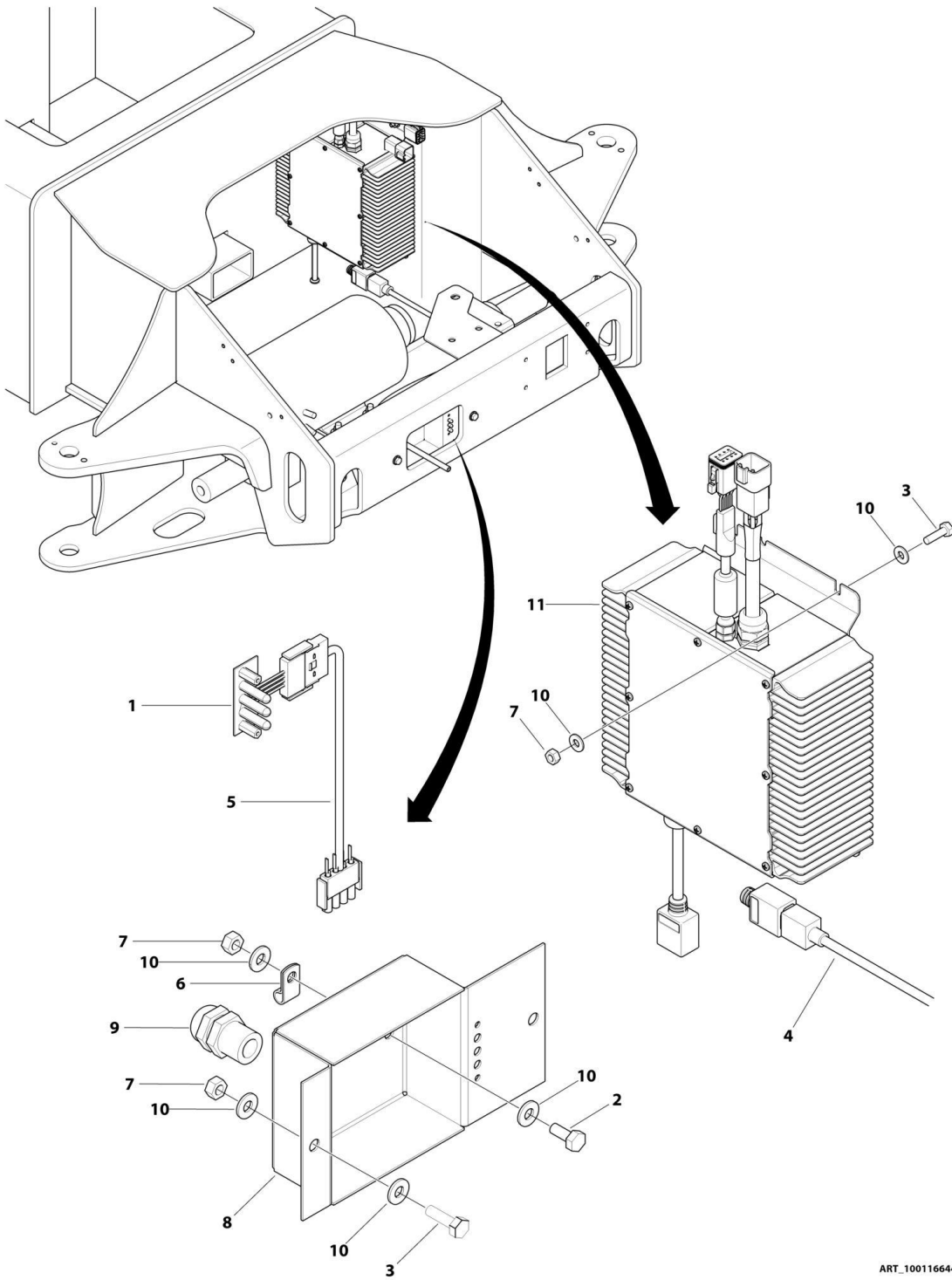
SECTION 1 - FRAME

FIGURE 1-30. BATTERY CHARGER INSTALLATION - E450A/E450AJ

ITEM	PART NUMBER	QTY	DESCRIPTION	REV
	1001166938	Ref	BATTERY CHARGER INSTALLATION (AUSTRALIAN SPEC)	A
1	0610131	1	Charger LED Assembly	
2	0641405	1	Bolt, 1/4-20 X 5/8	
3	0641407	6	Bolt, 1/4-20 X 7/8	
4	1060689	1	AC Cord	
5	1060778	1	LED, Remote Lead (See ELECTRICAL SECTION for Breakdown)	
6	1320136	1	Clamp	
7	3311405	7	Nut, Lock, 1/4-20	
8	3571834	1	Plate, Panel	
9	4460428	1	Connector, Strain Relief	
10	4711400	14	Washer, 1/4	
11	1001103105	1	Battery Charger Assembly (See ELECTRICAL SECTION for Breakdown)	
12	4460805	1	Plug, AC	

SECTION 1 - FRAME

FIGURE 1-31. BATTERY CHARGER INSTALLATION - E450A/E450AJ



ART_1001166444

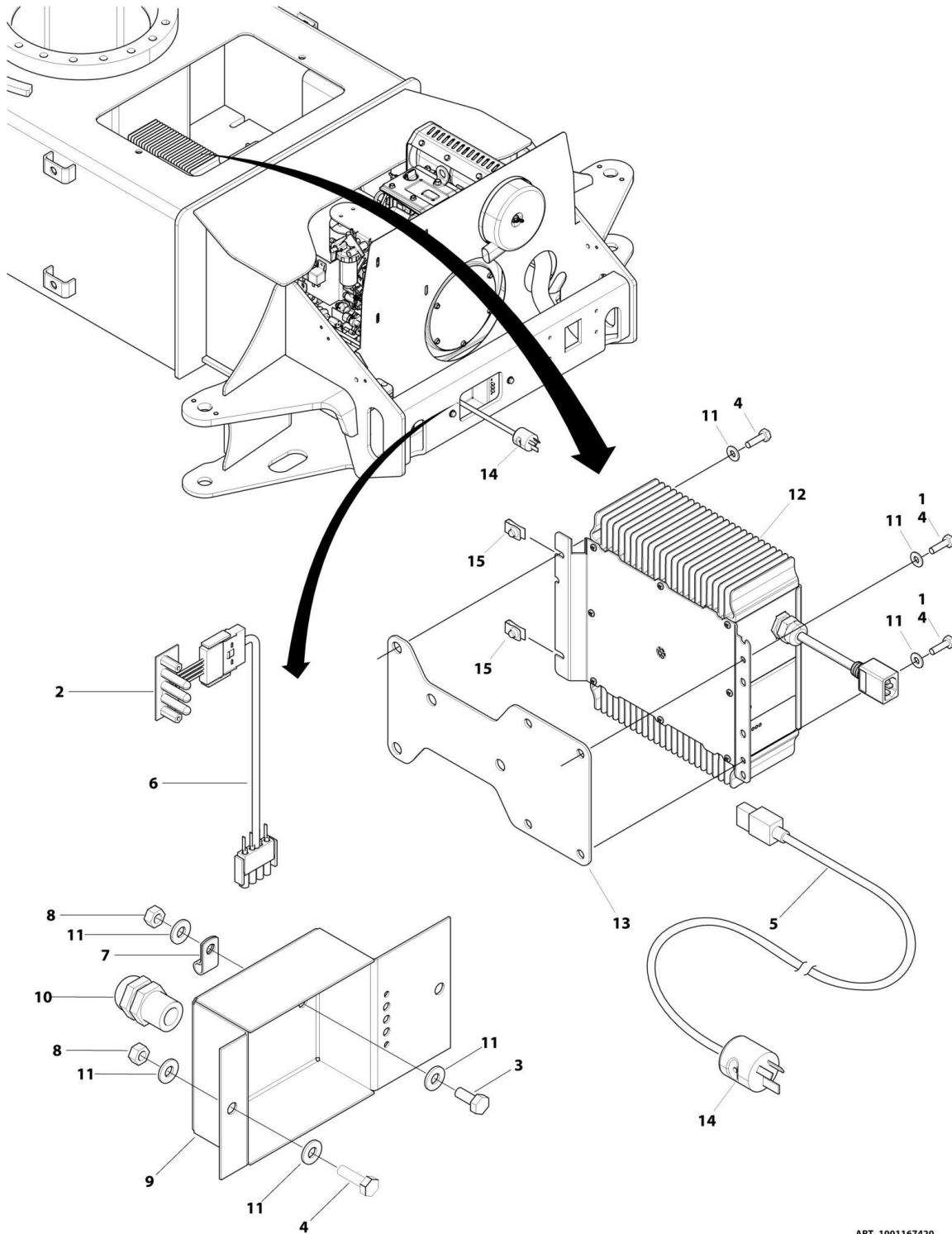
SECTION 1 - FRAME

FIGURE 1-31. BATTERY CHARGER INSTALLATION - E450A/E450AJ

ITEM	PART NUMBER	QTY	DESCRIPTION	REV
	1001166444	Ref	BATTERY CHARGER INSTALLATION (ANSI EXPORT & CE SPECS)	A
	See Note	Ref	Note: AC Plug Supplied Locally.	
1	0610131	1	Charger LED Assembly	
2	0641405	1	Bolt, 1/4-20 X 5/8	
3	0641407	6	Bolt, 1/4-20 X 7/8	
4	1060689	1	AC Cord (Note: For Plug Options See ELECTRICAL SECTION)	
5	1060778	1	LED, Remote Harness (See ELECTRICAL SECTION for Breakdown)	
6	1320136	1	Clamp	
7	3311405	7	Nut, Lock, 1/4-20	
8	3571834	1	Plate, Panel	
9	4460428	1	Connector, Strain Relief	
10	4711400	14	Washer, 1/4	
11	1001103105	1	Battery Charger Assembly (See ELECTRICAL SECTION for Breakdown)	

SECTION 1 - FRAME

FIGURE 1-32. BATTERY CHARGER INSTALLATION - M450AJ



ART_1001167420

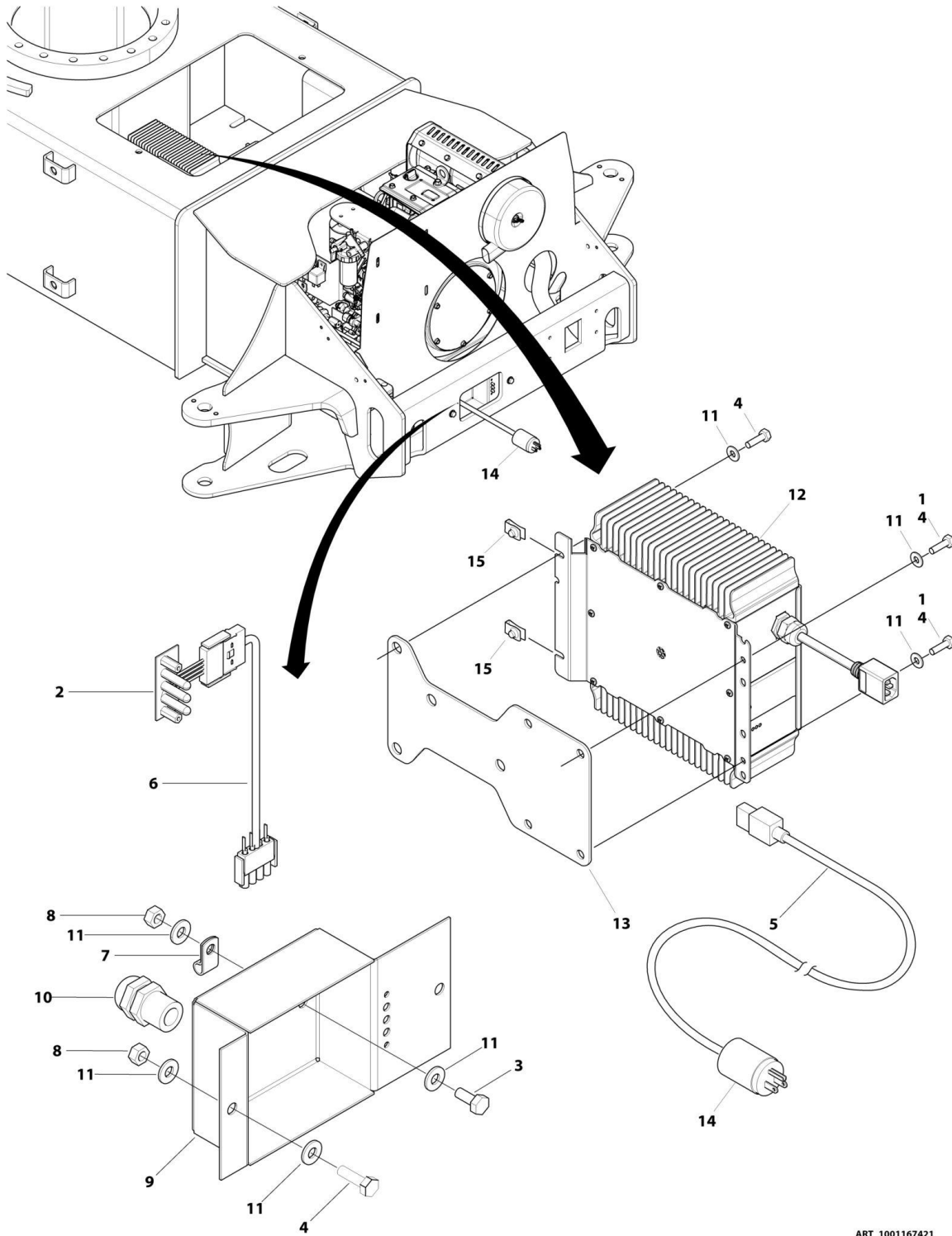
SECTION 1 - FRAME

FIGURE 1-32. BATTERY CHARGER INSTALLATION - M450AJ

ITEM	PART NUMBER	QTY	DESCRIPTION	REV
	1001167420	Ref	BATTERY CHARGER INSTALLATION (ALL SPECS EXCEPTED CE, AUSTRALIAN & UL SPECS)	B
1	0100011	AR	Compound, Locking	
2	0610131	1	Charger LED Assembly	
3	0641405	1	Bolt, 1/4-20 X 5/8	
4	0641407	6	Bolt, 1/4-20 X 7/8	
5	1060689	1	AC Cord	
6	1060778	1	LED, Remote Lead (See ELECTRICAL SECTION for Breakdown)	
7	1320136	1	Clamp	
8	3311405	3	Nut, Lock, 1/4-20	
9	3571834	1	Plate, Panel	
10	4460428	1	Connector, Strain Relief	
11	4711400	10	Washer, 1/4	
12	1001103105	1	Battery Charger Assembly (See ELECTRICAL SECTION for Breakdown)	
13	1001167303	1	Bracket, Valve Mount	
14	4460805	1	AC Plug	
15	3300454	2	Nut 1/4-20	

SECTION 1 - FRAME

FIGURE 1-33. BATTERY CHARGER INSTALLATION - M450AJ



ART_1001167421

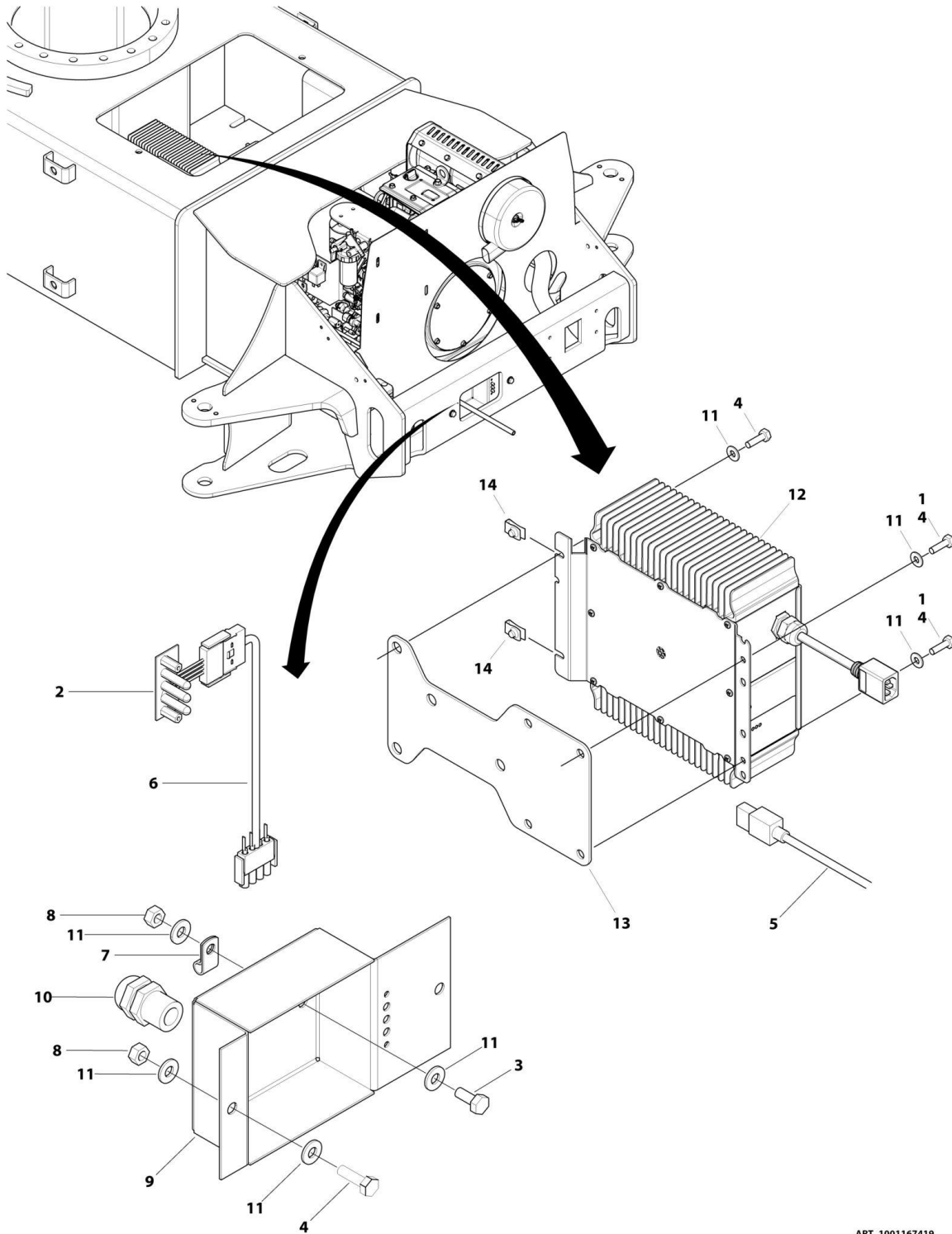
SECTION 1 - FRAME

FIGURE 1-33. BATTERY CHARGER INSTALLATION - M450AJ

ITEM	PART NUMBER	QTY	DESCRIPTION	REV
	1001167421	Ref	BATTERY CHARGER INSTALLATION (AUSTRALIAN SPEC)	B
1	0100011	AR	Compound, Locking	
2	0610131	1	Charger LED Assembly	
3	0641405	1	Bolt, 1/4-20 X 5/8	
4	0641407	6	Bolt, 1/4-20 X 7/8	
5	1060689	1	AC Cord	
6	1060778	1	LED,Remote Lead (See ELECTRICAL SECTION for Breakdown)	
7	1320136	1	Clamp	
8	3311405	3	Nut, Lock, 1/4-20	
9	3571834	1	Plate, Panel	
10	4460428	1	Connector, Strain Relief	
11	4711400	10	Washer, 1/4	
12	1001103105	1	Battery Charger Assembly (See ELECTRICAL SECTION for Breakdown)	
13	1001167303	1	Bracket, Valve Mount	
14	4460138	1	AC Plug	
15	3300454	2	Nut, 1/4-20	

SECTION 1 - FRAME

FIGURE 1-34. BATTERY CHARGER INSTALLATION - M450AJ



ART_1001167419

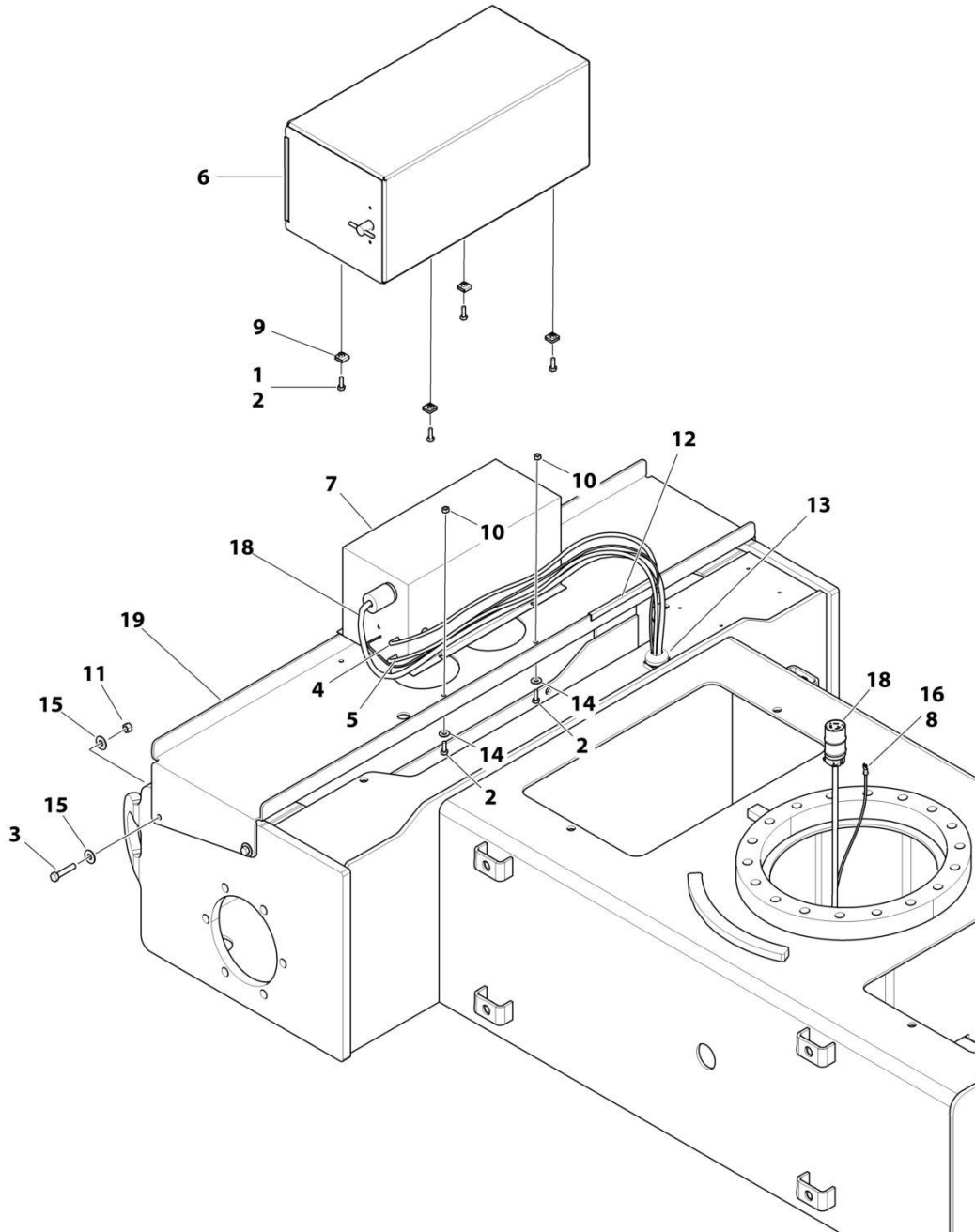
SECTION 1 - FRAME

FIGURE 1-34. BATTERY CHARGER INSTALLATION - M450AJ

ITEM	PART NUMBER	QTY	DESCRIPTION	REV
	1001167419	Ref	BATTERY CHARGER INSTALLATION (ANSI EXPORT & CE SPECS)	B
	See Note	Ref	Note: AC Plug Supplied Locally.	
1	0100011	AR	Compound, Locking	
2	0610131	1	Charger LED Assembly	
3	0641405	1	Bolt, 1/4-20 X 5/8	
4	0641407	6	Bolt, 1/4-20 X 7/8	
5	1060689	1	AC Cord (Note: For Plug Options See ELECTRICAL SECTION)	
6	1060778	1	LED, Remote Lead (See ELECTRICAL SECTION for Breakdown)	
7	1320136	1	Clamp	
8	3311405	3	Nut, Lock, 1/4-20	
9	3571834	1	Plate, Panel	
10	4460428	1	Connector, Strain Relief	
11	4711400	10	Washer, 1/4	
12	1001103105	1	Battery Charger Assembly (See ELECTRICAL SECTION for Breakdown)	
13	1001167303	1	Bracket, Valve Mount	
14	3300454	2	Nut 1/4-20	

SECTION 1 - FRAME

FIGURE 1-35. INVERTER INSTALLATION - E450A/E450AJ



ART_1001167024

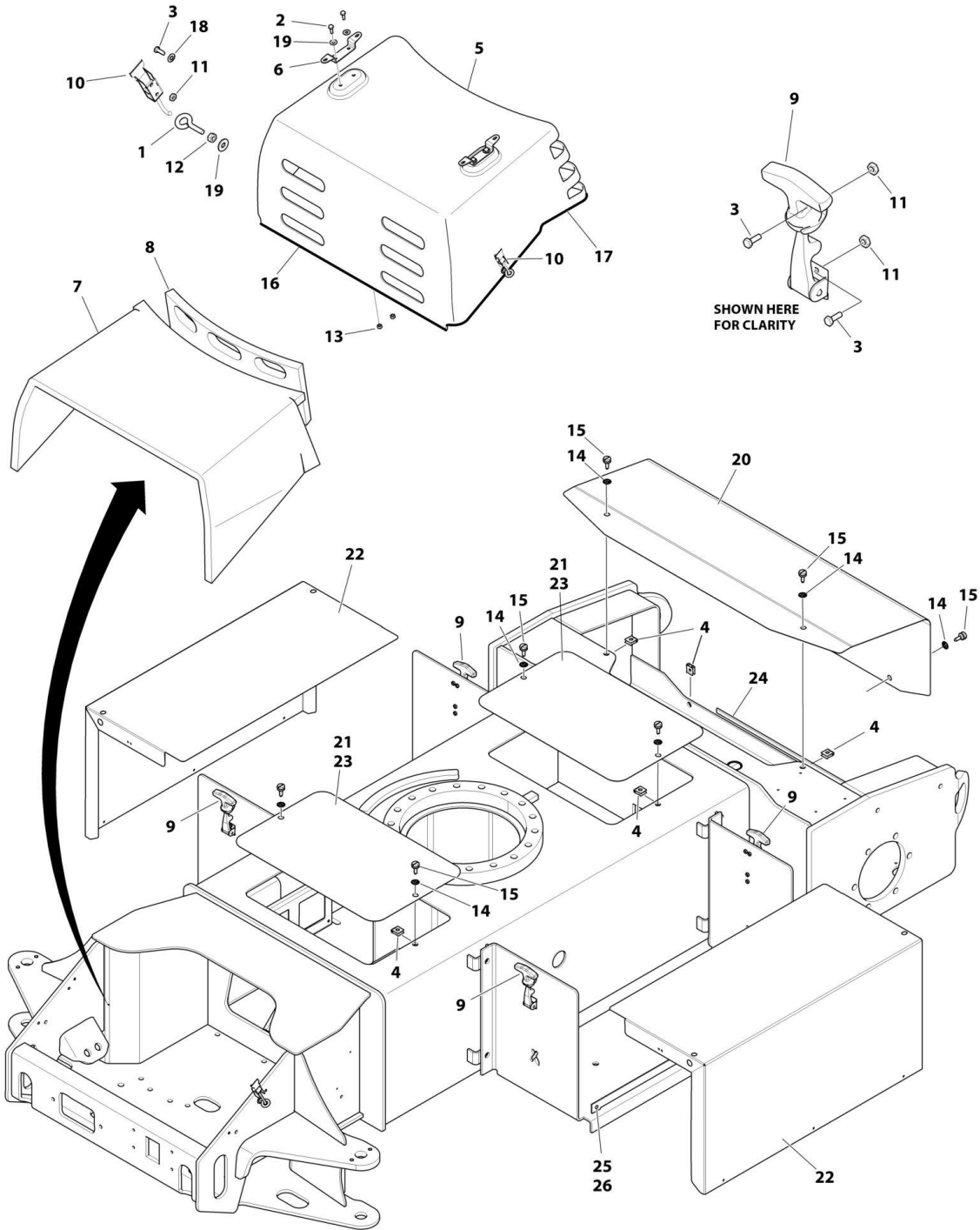
SECTION 1 - FRAME

FIGURE 1-35. INVERTER INSTALLATION - E450A/E450AJ

ITEM	PART NUMBER	QTY	DESCRIPTION	REV
	1001167024	Ref	INVERTER INSTALLATION	B
1	0100011	AR	Compound, Locking	
2	0641406	8	Bolt, 1/4-20 X 3/4	
3	0641614	4	Bolt, 3/8-16 X 1-3/4	
4	1060801	1	Cable, Battery	
5	1060802	1	Cable, Ground	
6	1670953	1	Cover	
7	2460037	1	Inverter	
8	2820035	10 ft/3.1m	Insulate, Tubing	
9	3300353	4	Nut, Tinnerman	
10	3311405	4	Nut, Lock, 1/4-20	
11	3311605	4	Nut, Lock, 3/8-16	
12	4060805	6	Shield, Flex Trim	
		in/150mm		
13	4460426	1	Connector, Strain Relief	
14	4751400	4	Washer, 1/4	
15	4751600	8	Washer, 3/8	
16	4460078	1	Terminal	
18	4922390	1	Harness, Inverter (See ELECTRICAL SECTION for Breakdown)	
19	1001167014	1	Bracket	

SECTION 1 - FRAME

FIGURE 1-36. FRAME COVER INSTALLATION - M450AJ



ART_1001166328

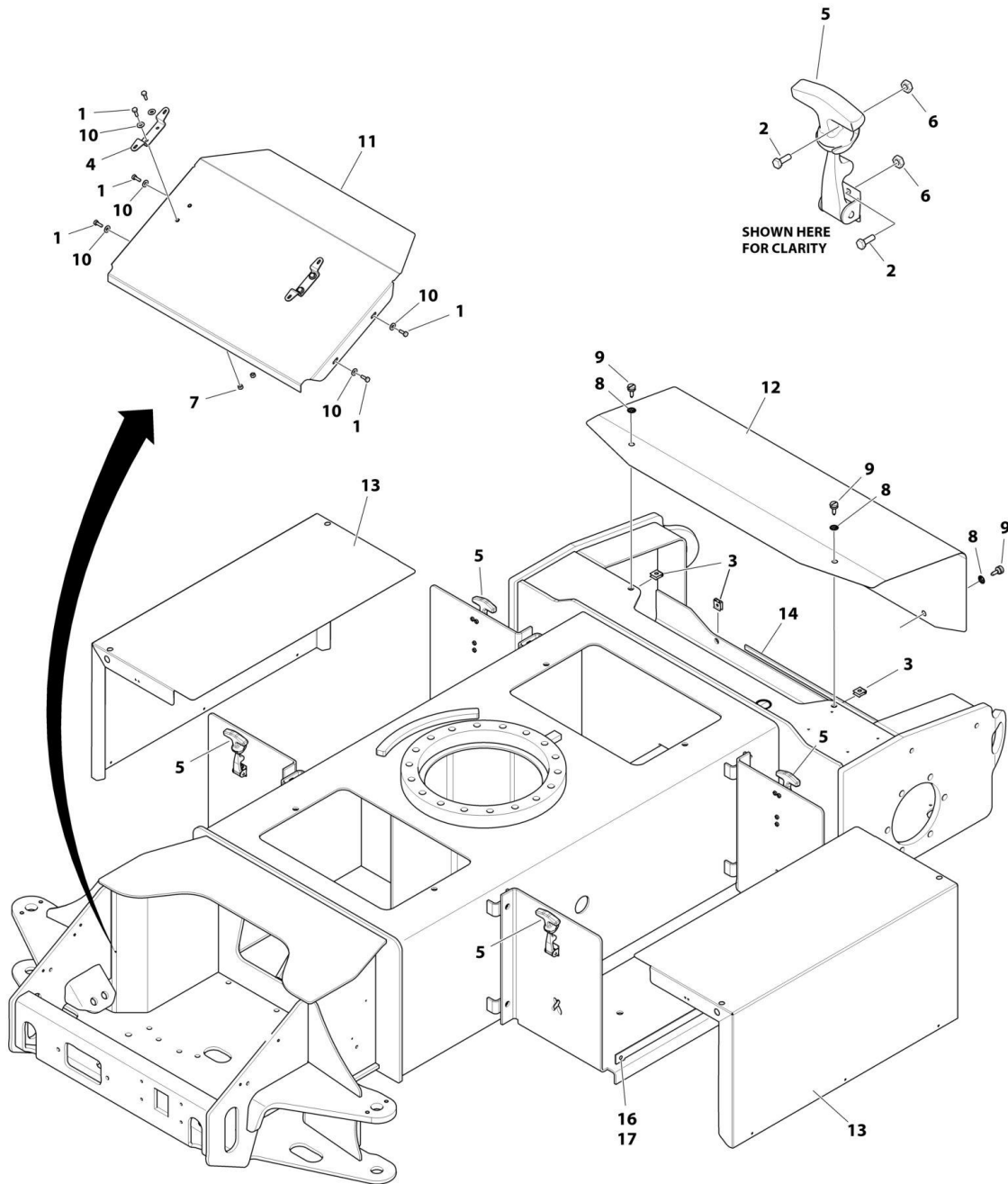
SECTION 1 - FRAME

FIGURE 1-36. FRAME COVER INSTALLATION - M450AJ

ITEM	PART NUMBER	QTY	DESCRIPTION	REV
	1001166328	Ref	FRAME COVER INSTALLATION	C
1	0630440	2	Eyebolt	
2	0641406	4	Bolt, 1/4-20 X 3/4	
3	0721004	20	Bolt, #10-24 X .500	
4	1380138	8	Clip, Receptacle	
5	1670880	1	Cover	
6	2700093	2	Hook	
7	2820105	1	Insulation, Acoustical Foam	
8	2820106	1	Insulation, Acoustic Foam	
9	2940095	4	Latch	
10	2940115	2	Latch	
11	3311005	20	Nut, Lock, #10-24	
12	3311401	2	Nut, 1/4-20	
13	3311405	4	Nut, Lock, 1/4-20	
14	3760308	8	Retainer	
15	3900174	8	Screw, Special	
16	3960389	2.5 ft/0.76m	Seal	
17	4060804	6.5 ft/1.9m	Flex Trim	
18	4751000	4	Washer, 10	
19	4751400	6	Washer, 1/4	
20	1001166296	1	Axle Cover	
21	1001166377	2	Frame Cover	
22	1001166493	2	Battery Cover	
23	3960417	12 ft/3.66m	Seal	
24	3960447	9 ft/2.74m	Seal	
25	3820019	6	Rivet	
26	1001175025	2	Brace, Battery Tray	

SECTION 1 - FRAME

FIGURE 1-37. FRAME COVER INSTALLATION - E450A/E450AJ



ART_1001166327

SECTION 1 - FRAME

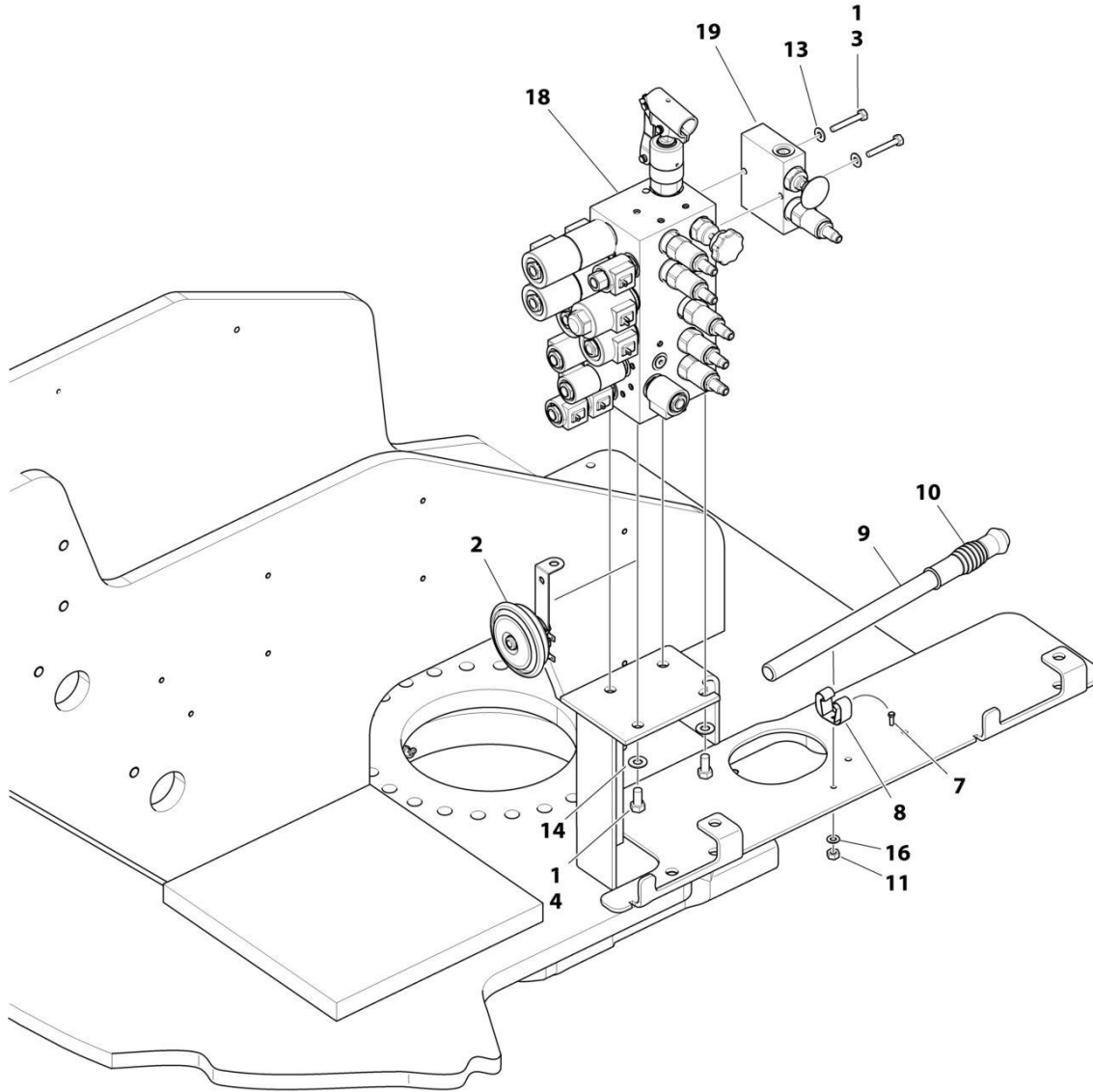
FIGURE 1-37. FRAME COVER INSTALLATION - E450A/E450AJ

ITEM	PART NUMBER	QTY	DESCRIPTION	REV
	1001166327	Ref	FRAME COVER INSTALLATION	C
1	0641406	8	Bolt, 1/4-20 X 3/4	
2	0721004	16	Bolt, #10-24 X .500	
3	1380138	4	Clip, Receptacle	
4	2700093	2	Hook	
5	2940095	4	Latch	
6	3311005	16	Nut, Lock, #10-24	
7	3311405	4	Nut, Lock, 1/4-20	
8	3760308	4	Retainer	
9	3900174	4	Screw, Special	
10	4751400	8	Washer, 1/4	
11	1001166321	1	Cover	
12	1001166296	1	Axle Cover	
13	1001166493	2	Battery Cover	
14	3960433	3.5 ft/1.07m	Seal	
15	3960447	9 ft/2.7m	Seal	
16	3820019	6	Rivet	
17	1001175025	2	Brace, Battery Tray	

SECTION 2 - TURNTABLE

SECTION 2 - TURNTABLE

FIGURE 2-1. VALVE INSTALLATION - TURNTABLE MOUNTED - E450A



ART_1001166438_2OF2

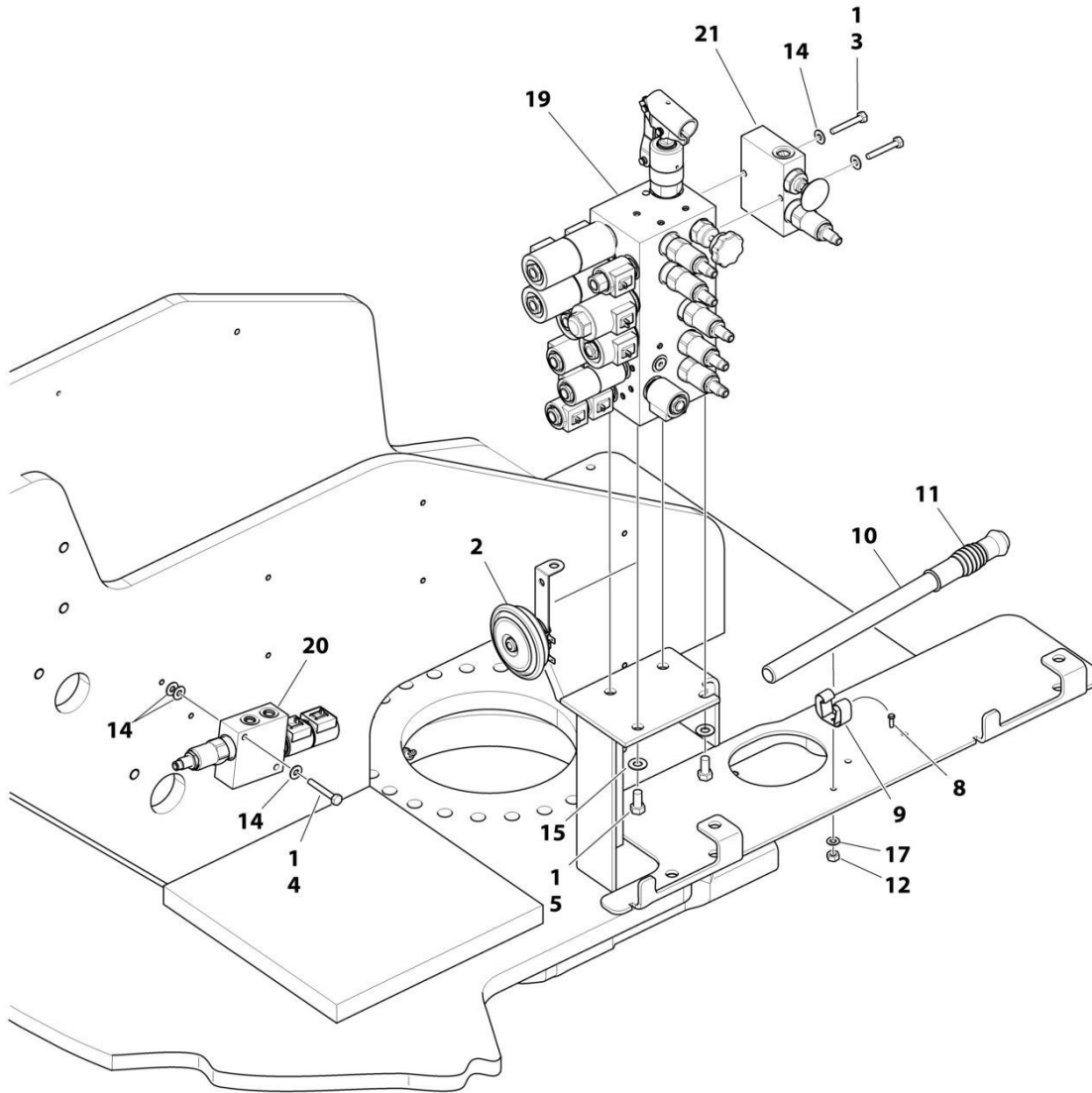
SECTION 2 - TURNTABLE

FIGURE 2-1. VALVE INSTALLATION - TURNTABLE MOUNTED - E450A

ITEM	PART NUMBER	QTY	DESCRIPTION	REV
	1001166438	Ref	CONTROL VALVE INSTALLATION (E450A)	C
1	0100011	AR	Compound, Locking	
2	0140028	1	Horn	
3	0641413	2	Bolt, 1/4-20 X 1-5/8	
4	0641606	4	Bolt, 3/8-16 X 3/4	
7	0720804	1	Bolt, #8-32 X .500	
8	1380136	1	Clip	
9	2560122	1	Handle	
10	2560123	1	Handle, Grip	
11	3310805	1	Nut, Lock, #8-32	
13	4711400	2	Washer, 1/4	
14	4711600	4	Washer, 3/8	
16	4750800	1	Washer, 8	
18	1001097507	1	Main Control Valve Assembly (See MAIN CONTROL VALVE ASSEMBLY for Breakdown))	
19	1001097777	1	Releveling Valve Assembly (See RELEVELING VALVE ASSEMBLY for Breakdown)	

SECTION 2 - TURNTABLE

FIGURE 2-2. VALVE INSTALLATION - TURNTABLE MOUNTED - E450AJ



ART_1001166439_20F2

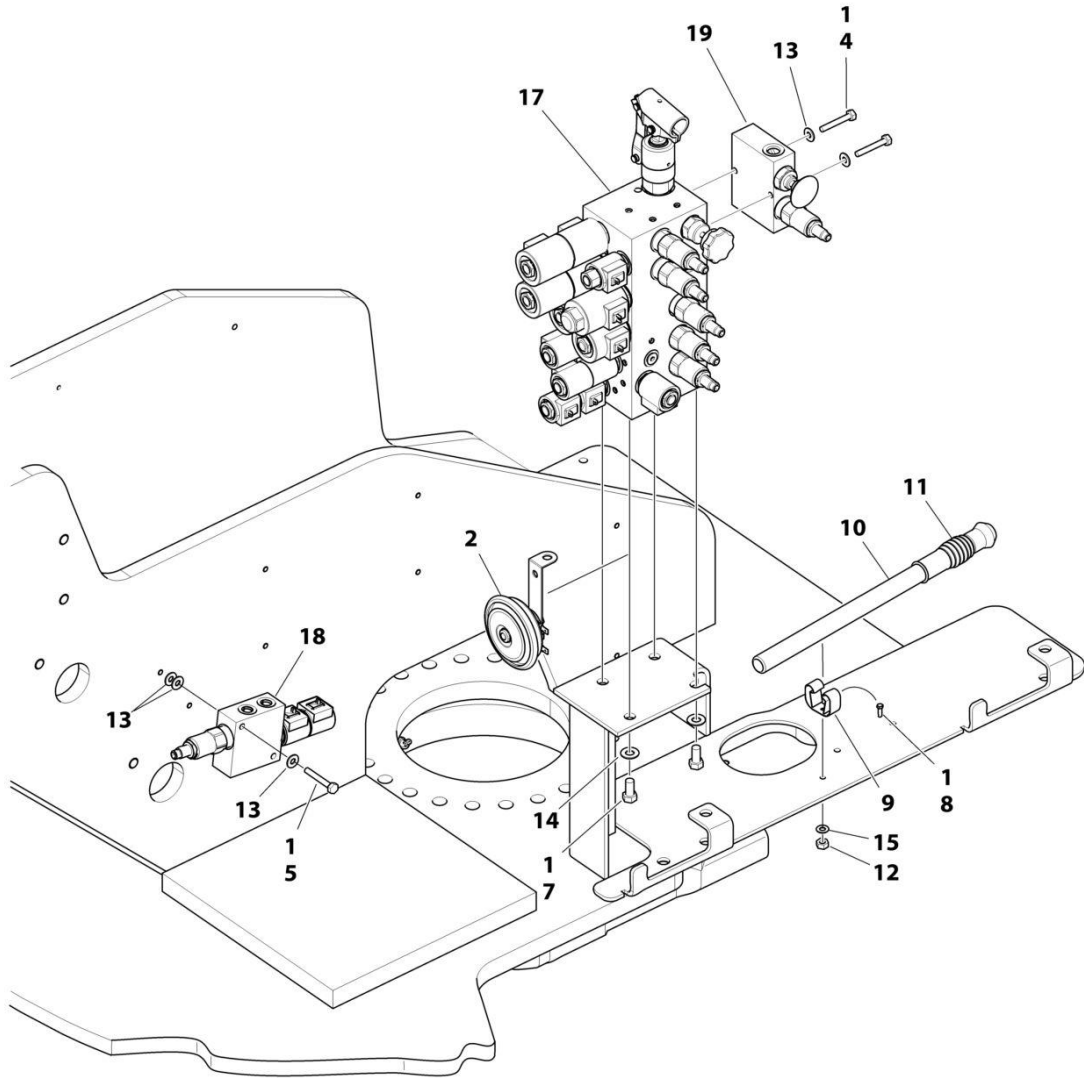
SECTION 2 - TURNTABLE

FIGURE 2-2. VALVE INSTALLATION - TURNTABLE MOUNTED - E450AJ

ITEM	PART NUMBER	QTY	DESCRIPTION	REV
	1001166439	Ref	CONTROL VALVE INSTALLATION (E450AJ)	C
1	0100011	AR	Compound, Locking	
2	0140028	1	Horn	
3	0641413	2	Bolt, 1/4-20 X 1-5/8	
4	0641414	2	Bolt, 1/4-20 X 1-3/4	
5	0641606	4	Bolt, 3/8-16 X 3/4	
8	0720804	1	Bolt, #8-32 X 1/2	
9	1380136	1	Clip	
10	2560122	1	Handle	
11	2560123	1	Handle, Grip	
12	3310805	1	Nut, Lock, #8-32	
14	4711400	8	Washer, 1/4	
15	4711600	4	Washer, 3/8	
17	4750800	1	Washer, 8	
19	1001097507	1	Main Control Valve Assembly (See MAIN CONTROL VALVE ASSEMBLY for Breakdown)	
20	1001097775	1	Jib Valve Assembly (See JIB VALVE ASSEMBLY for Breakdown)	
21	1001097777	1	Releveling Valve Assembly (See RELEVELING VALVE ASSEMBLY for Breakdown)	

SECTION 2 - TURNTABLE

FIGURE 2-3. VALVE INSTALLATION - TURNTABLE MOUNTED - M450AJ



ART_1001167360_20F2

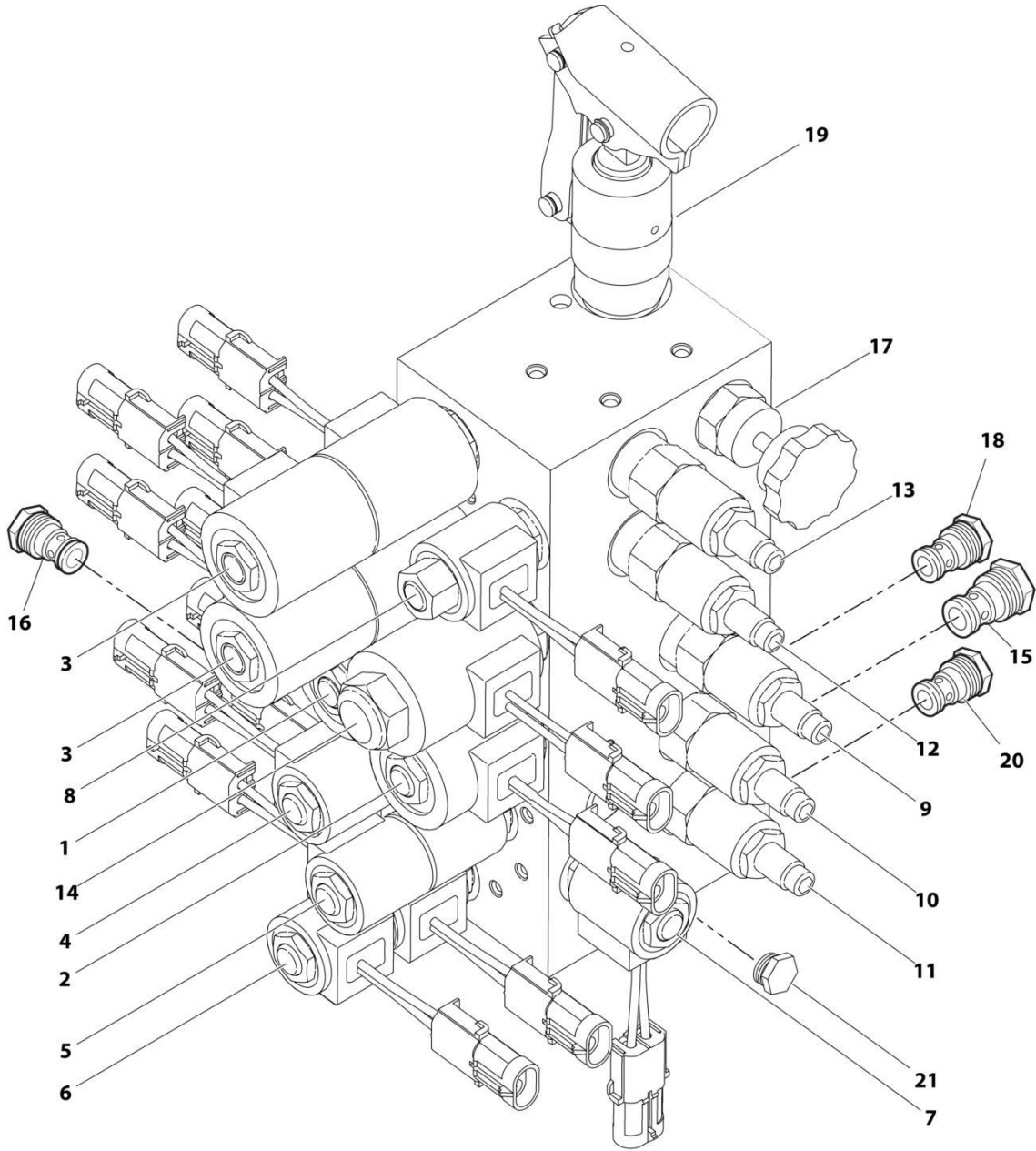
SECTION 2 - TURNTABLE

FIGURE 2-3. VALVE INSTALLATION - TURNTABLE MOUNTED - M450AJ

ITEM	PART NUMBER	QTY	DESCRIPTION	REV
	1001167360	Ref	CONTROL VALVE INSTALLATION (M450AJ)	B
1	0100011	AR	Compound, Locking	
	0140028	1	Alarm, Horn	
4	0641413	2	Bolt, 1/4-20 x 1-5/8	
5	0641414	2	Bolt, 1/4-20 x 3/4	
7	0641606	4	Bolt, 3/8-16 x 3/4	
8	0720804	1	Bolt, #8-32 x 1/2	
9	1380136	1	Clip	
10	2560122	1	Handle	
11	2560123	1	Grip, Handle	
12	3310805	1	Nut, Lock, #8-32	
13	4711400	8	Washer, 1/4	
14	4711600	4	Washer, 3/8	
15	4750800	1	Washer, #8	
17	1001097507	1	Main Control Valve Assembly (See MAIN CONTROL VALVE ASSEMBLY for Breakdown)	
18	1001097775	1	Jib Valve Assembly (See JIB VALVE ASSEMBLY for Breakdown)	
19	1001097777	1	Releveling Valve Assembly (See RELEVELING VALVE ASSEMBLY for Breakdown)	

SECTION 2 - TURNTABLE

FIGURE 2-4. MAIN CONTROL VALVE ASSEMBLY



ART_1001097507

SECTION 2 - TURNTABLE

FIGURE 2-4. MAIN CONTROL VALVE ASSEMBLY

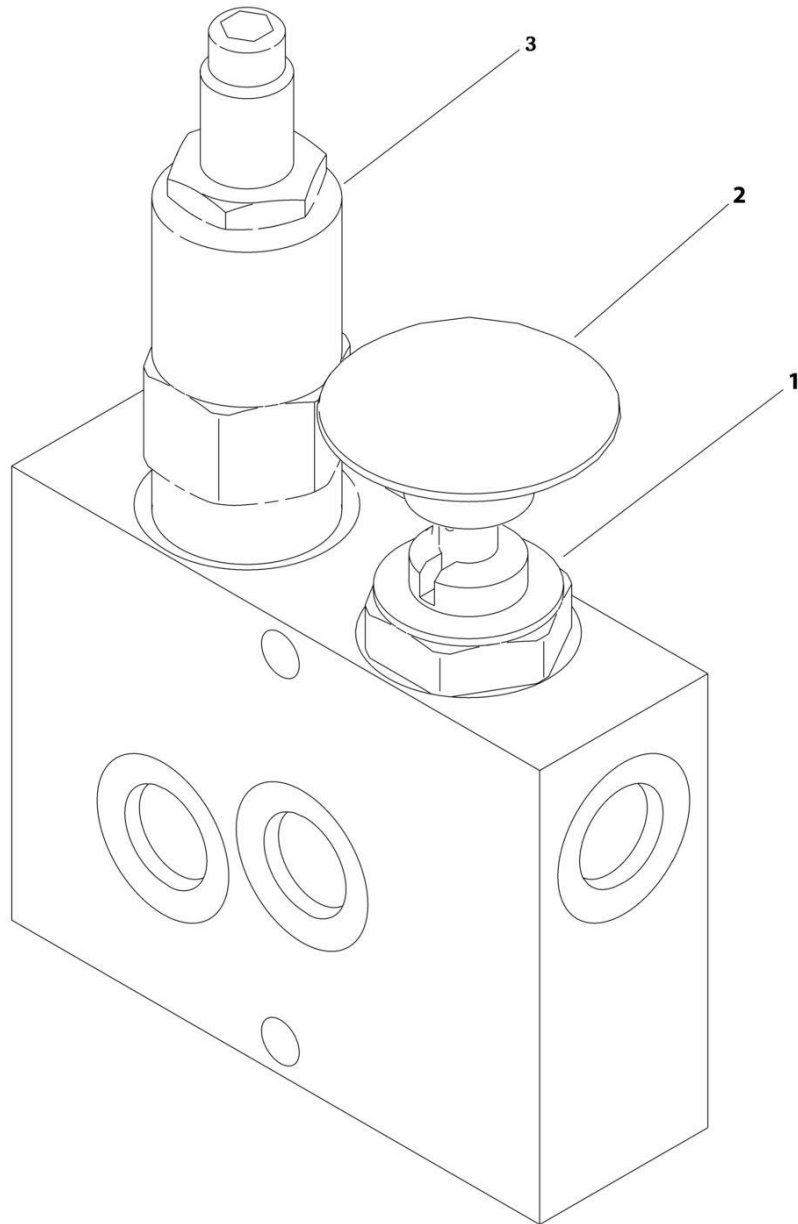
ITEM	PART NUMBER	QTY	DESCRIPTION	REV
	1001097507	Ref	MAIN CONTROL VALVE ASSEMBLY	C
1	7022394	1	Cartridge without Coil (Telescope In)	
1	7012518	1	Seal Kit - 7022394 Cartridge	
1	7021610	1	Coil	
2	7012995	1	Cartridge without Coil (Telescope Out)	
2	7012518	1	Seal Kit - 7012995 Cartridge	
2	7021610	1	Coil	
3	7021603	2	Cartridge without Coil (Lower and Upper Lift)	
3	7012903	1	Seal Kit - 7021603 Cartridge	
3	7021610	1	Coil (2 Per Valve)	
4	7017452	1	Cartridge without Coil (Platform Level)	
4	7017402	1	Seal Kit - 7017452 Cartridge	
4	7011609	2	Coil	
5	7017452	1	Cartridge without Coil (Rotator)	
5	7017402	1	Seal Kit - 7017452 Cartridge	
5	7011609	2	Coil	
6	7017433	1	Cartridge without Coil (Swing)	
6	7017402	1	Seal Kit - 7017433 Cartridge	
6	7021609	2	Coil	
7	7021604	1	Cartridge without Coil (Swing Restrictor)	
7	7012953	1	Seal Kit - 7021604 Cartridge	
7	7021609	1	Coil	
8	7017410	1	Cartridge without Coil (Bypass Unloading)	
8	7012998	1	Seal Kit - 7017410 Cartridge	
8	7021609	1	Coil	
9	7017418	1	Cartridge (Telescope)	
9	7012998	1	Seal Kit - 7017418 Cartridge	
10	7017421	1	Cartridge (Platform Level Backward Piston End)	
10	7012998	1	Seal Kit - 7017421 Cartridge	
11	7017418	1	Cartridge (Platform Level Forward Rod End)	
11	7012998	1	Seal Kit - 7017418 Cartridge	
12	70001876	1	Cartridge (Lower Lift Down)	
12	7012998	1	Seal Kit - 70001876 Cartridge	
13	70002806	1	Cartridge (Upper Lift Down)	
13	7012998	1	Seal Kit - 70002806 Cartridge	
14	7021611	1	Cartridge without Coil (Flow Regulator)	
14	7012518	1	Seal Kit - 7021611 Cartridge	
14	7021618	1	Coil	
15	7012914	1	Cartridge (Platform Level Piston Side)	
15	7021653	1	Seal Kit - 7012914 Cartridge	
16	7012914	1	Cartridge (Platform Level Rod Side)	
16	7021653	1	Seal Kit - 7012914 Cartridge	
17	7012947	1	Cartridge (Emergency Descent)	
17	7012518	1	Seal Kit - 7012947 Cartridge	
17	7012961	1	Knob	
18	10837580	1	Cartridge (Telescope)	
18	7010543	1	Seal Kit - 10837580 Cartridge	
19	70004019	1	Pump, Manual	
19	7017496	1	Seal Kit - 70004019 Pump	
20	7012975	1	Valve, Check	

SECTION 2 - TURNTABLE

ITEM	PART NUMBER	QTY	DESCRIPTION	REV
20	7012540	1	Seal Kit - 7012975 Cartridge	
21	70000381	1	Cartridge, Plug	
22	7017406	4	Plug (Not Shown)	

SECTION 2 - TURNTABLE

FIGURE 2-5. RELEVELING VALVE ASSEMBLY



ART_1001097777

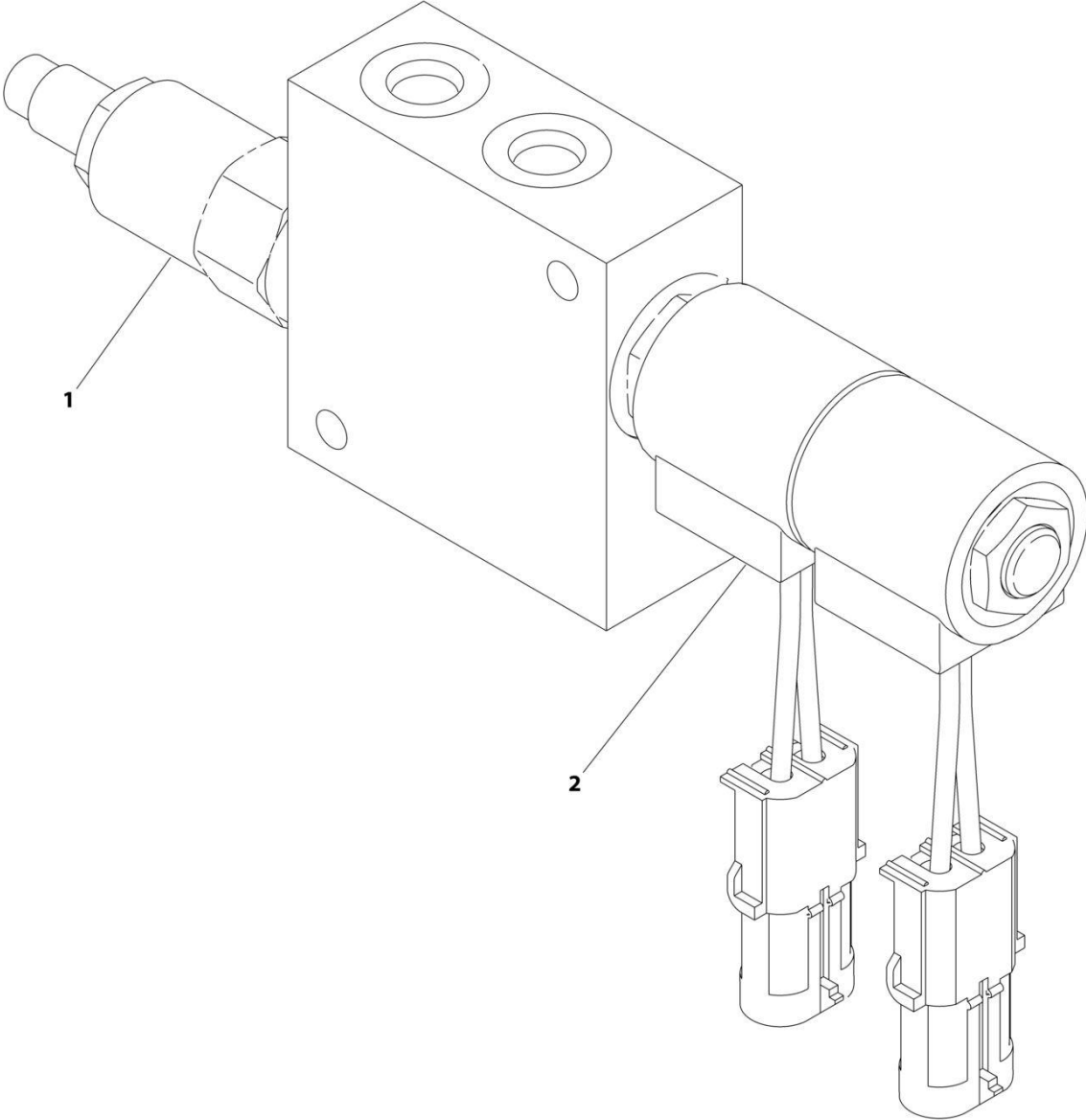
SECTION 2 - TURNTABLE

FIGURE 2-5. RELEVELING VALVE ASSEMBLY

ITEM	PART NUMBER	QTY	DESCRIPTION	REV
	1001097777	Ref	RELEVELING VALVE ASSEMBLY	A
1	7017466	1	Cartridge	
1	7017496	1	Seal Kit - 7017466 Cartridge	
2	7012959	1	Knob	
3	7024891	1	Cartridge	
3	7012953	1	Seal Kit - 7024891 Cartridge	

SECTION 2 - TURNTABLE

FIGURE 2-6. JIB VLAVE ASSEMBLY



ART_100109775

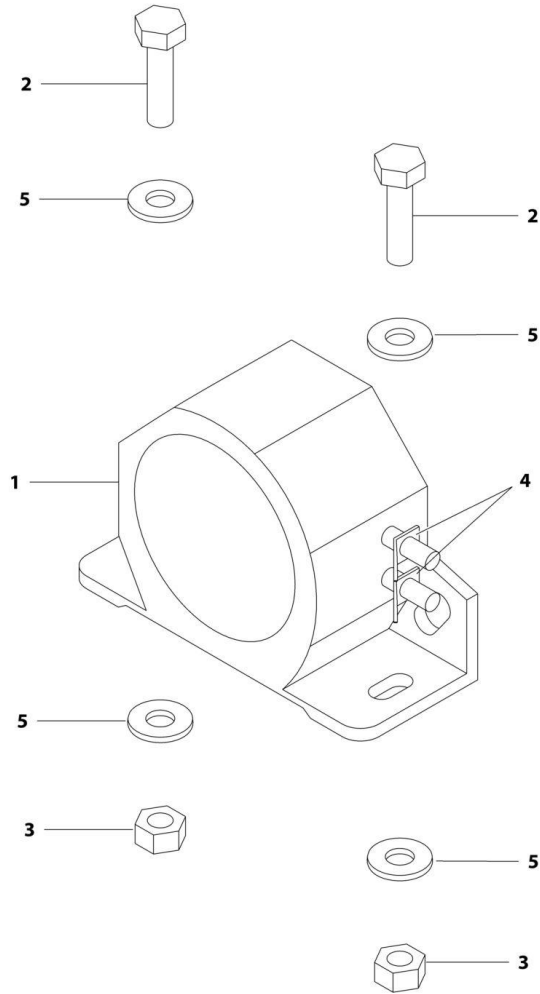
SECTION 2 - TURNTABLE

FIGURE 2-6. JIB VLAVE ASSEMBLY

ITEM	PART NUMBER	QTY	DESCRIPTION	REV
	1001097775	Ref	JIB VALVE ASSEMBLY	C
1	7017452	1	Cartridge without Coil	
1	7017402	1	Seal Kit - 7017452 Cartridge	
1	7021609	2	Coil	
2	70002807	1	Cartridge, Relief Valve	
2	7021653	1	Seal Kit - 70002807 Cartridge	

SECTION 2 - TURNTABLE

FIGURE 2-7. MOTION ALARM INSTALLATION



ART_1001166437

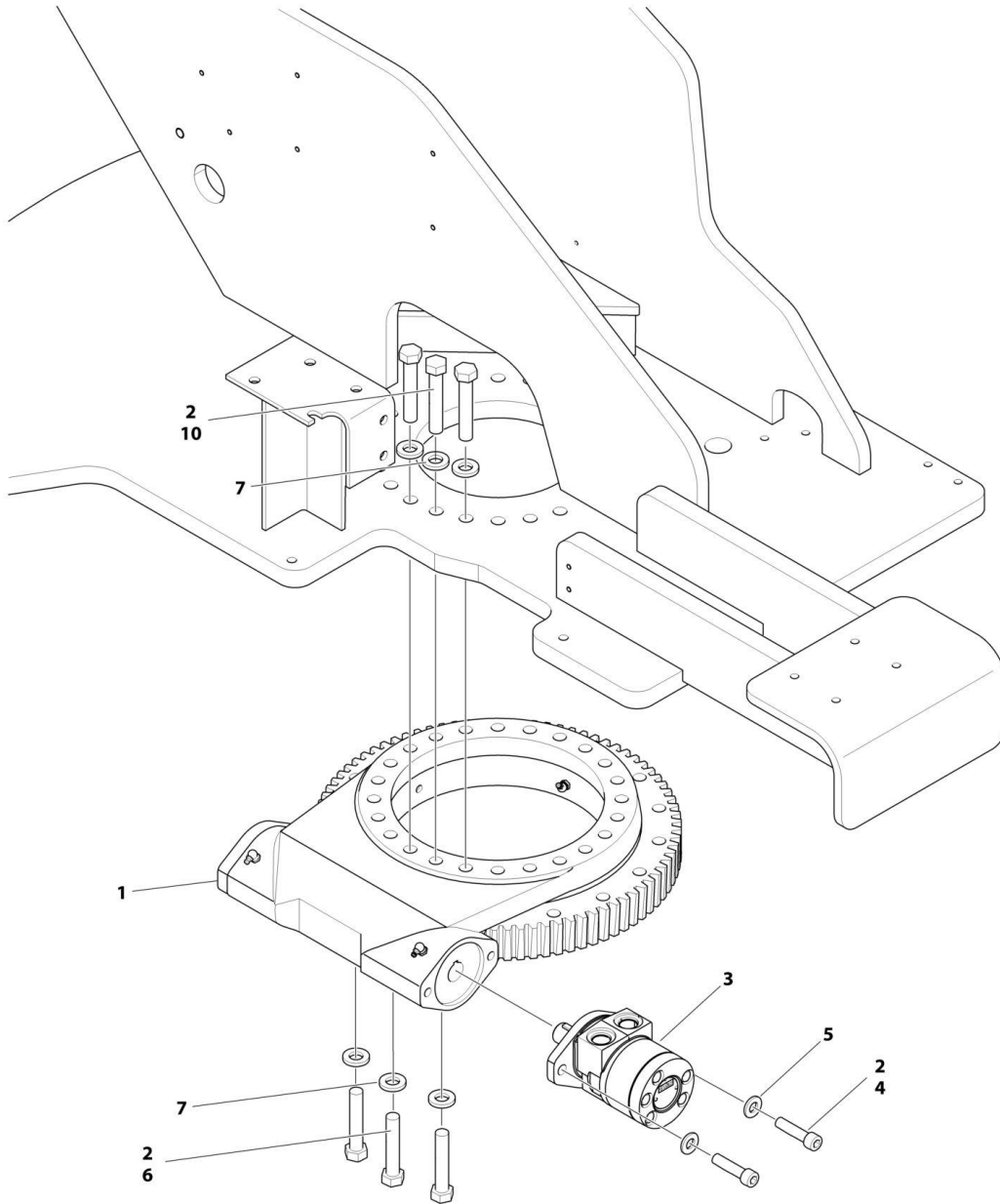
SECTION 2 - TURNTABLE

FIGURE 2-7. MOTION ALARM INSTALLATION

ITEM	PART NUMBER	QTY	DESCRIPTION	REV
	1001166437	Ref	ALARM INSTALLATION	A
1	0140031	1	Alarm, Motion	
2	0641408	2	Bolt, 1/4-20 X 1	
3	3311405	2	Nut, Lock, 1/4-20	
4	4460685	2	Terminal, Stud Mounted Tab	
5	4711400	4	Washer, 1/4	

SECTION 2 - TURNTABLE

FIGURE 2-8. TURNTABLE BEARING AND SWING DRIVE INSTALLATION



ART_1001166395

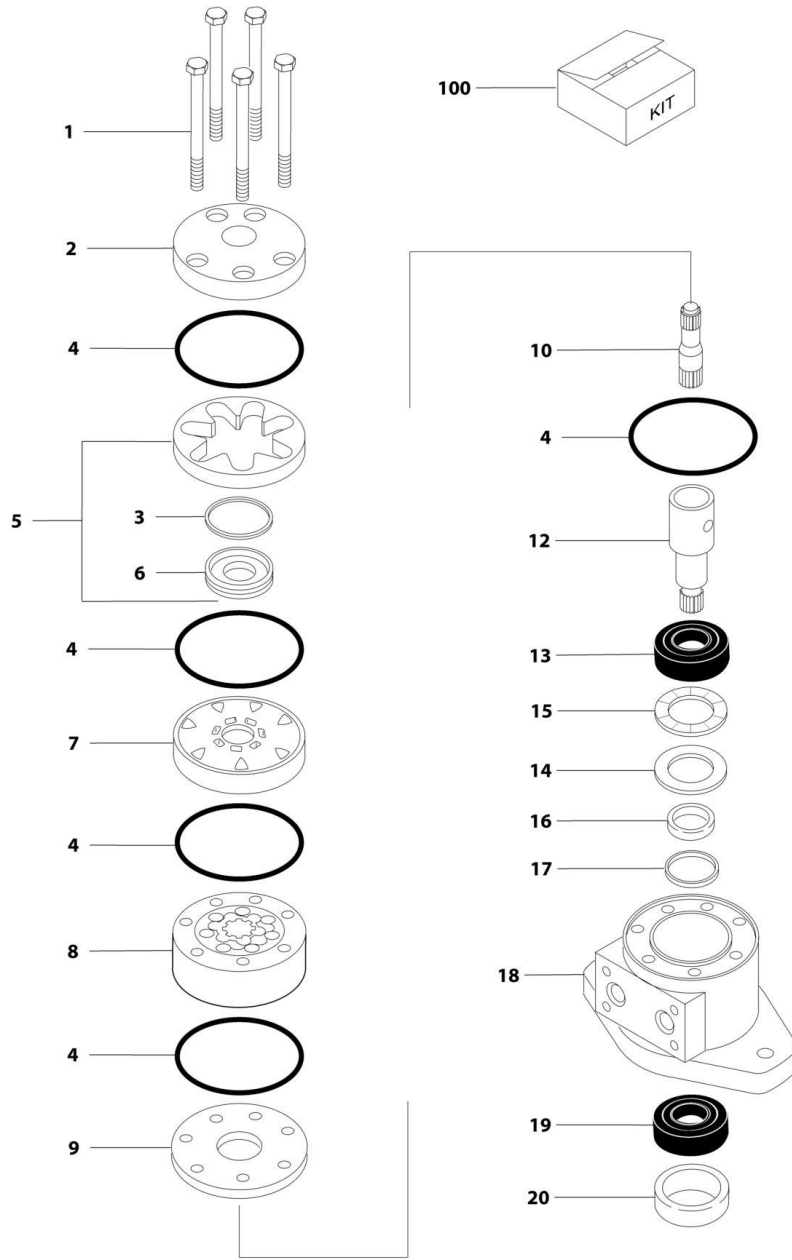
SECTION 2 - TURNTABLE

FIGURE 2-8. TURNTABLE BEARING AND SWING DRIVE INSTALLATION

ITEM	PART NUMBER	QTY	DESCRIPTION	REV
	1001166395	Ref	TURNTABLE BEARING AND SWING DRIVE INSTALLATION	B
1	1001153017	1	Turntable Bearing and Worm Gear Assembly (See SWING BEARING ASSEMBLY for Breakdown)	
2	0100019	AR	Compound, Locking	
3	1001104850	1	Swing Motor Assembly (See SWING MOTOR ASSEMBLY for Breakdown)	
4	3931832	2	Bolt, Allen Head, 1/2-13 X 2	
5	4740171	2	Washer	
6	0682026	18	Bolt, 5/8-11 X 3-1/4, Grade 8	
7	4892000	41	Washer, 5/8	
9	3020029	AR	Lube, Bearing Grease	
10	0682028	23	Bolt, 5/8-11 X 3-1/2, Grade 8	

SECTION 2 - TURNTABLE

FIGURE 2-9. SWING MOTOR ASSEMBLY



ART_1001104850

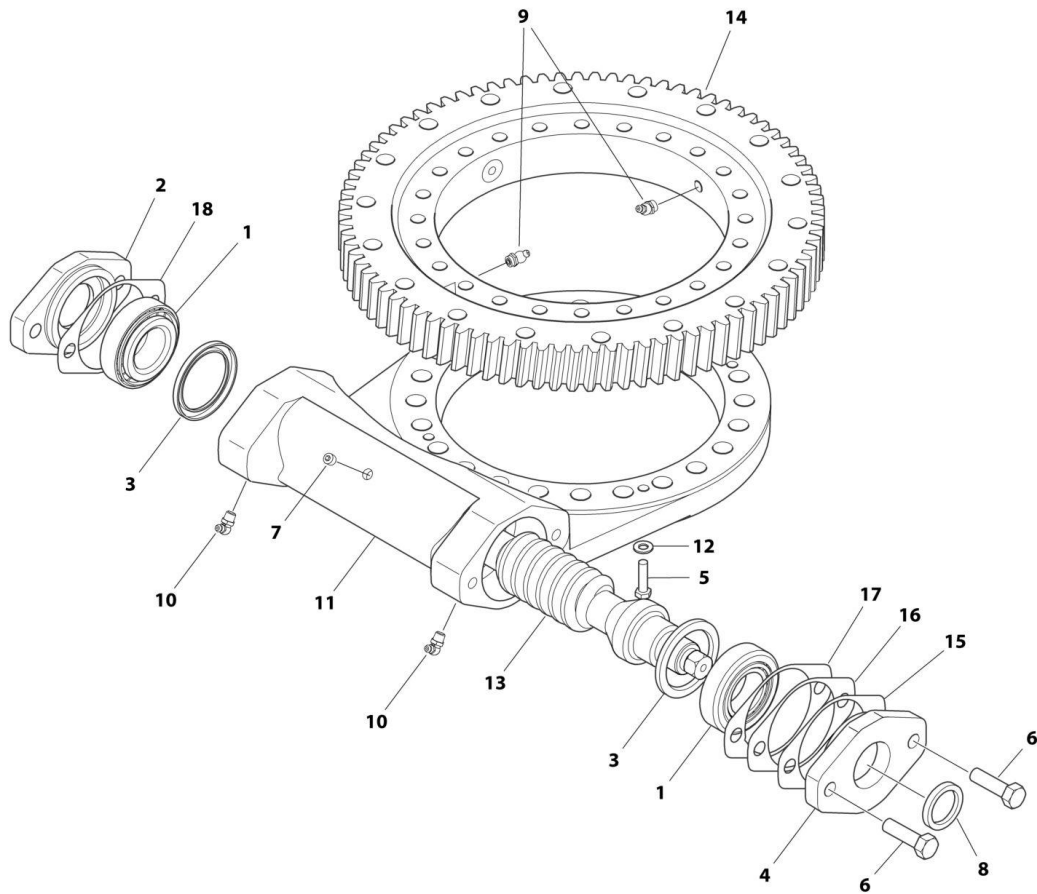
SECTION 2 - TURNTABLE

FIGURE 2-9. SWING MOTOR ASSEMBLY

ITEM	PART NUMBER	QTY	DESCRIPTION	REV
	1001104850	Ref	SWING MOTOR ASSEMBLY	A
1	See Note	5	Bolt (Note: Not Available for Purchase)	
2	7004035	1	Cover, End	
3	7023318	1	Seal, Commutator	
4	7004036	5	O-Ring	
5	7024453	1	Commutator and Ring Assembly	
6	See Note	1	Ring (Note: Purchase p/n 7024453)	
7	7024379	1	Manifold	
8	70002206	1	Rotor Set	
9	7024380	1	Plate, Ware	
10	70002207	1	Link, Drive	
12	70000088	1	Shaft, Coupling	
12A	70000089	1	Key, Woodruff	
13	7024381	1	Bearing, Inner	
14	7004043	1	Washer, Thrust	
15	7004044	1	Bearing, Thrust	
16	7004049	1	Seal, Inner	
17	7004045	1	Ring, Back-up	
18	See Note	1	Housing (Note: Purchase p/n 1001104850)	
19	7024390	1	Bearing, Outer	
20	7004047	1	Seal	
100	7024389	1	Seal Kit (Includes Items 3, 4, 16, 17 & 20)	

SECTION 2 - TURNTABLE

FIGURE 2-10. SWING BEARING ASSEMBLY



ART_1001153017

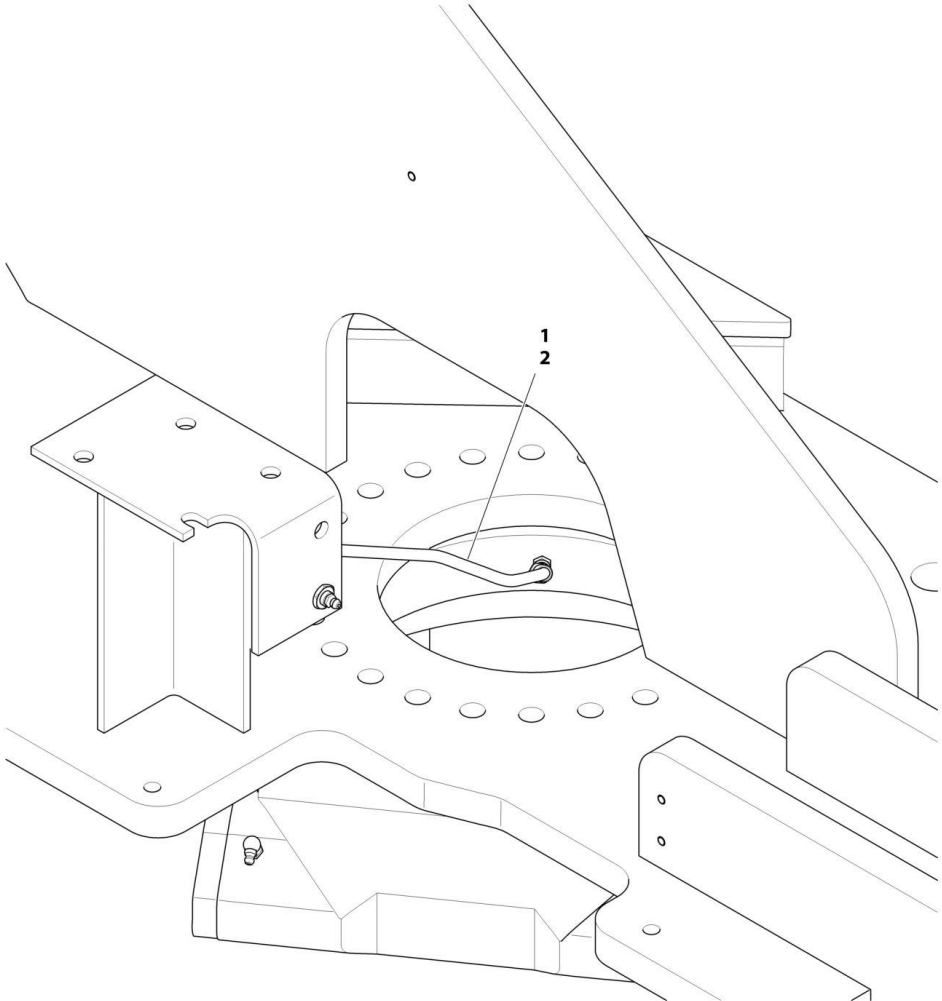
SECTION 2 - TURNTABLE

FIGURE 2-10. SWING BEARING ASSEMBLY

ITEM	PART NUMBER	QTY	DESCRIPTION	REV
	1001153017	Ref	SWING BEARING ASSEMBLY	B
1	7026042	2	Bearing, Cup	
1	7026043	2	Bearing, Cone	
2	7027356	1	Adapter, Motor	
3	7027361	2	Seal	
4	7027354	1	Cap, End	
5	0641510	2	Bolt, 5/16-18 x 1-1/4	
6	0641812	2	Bolt, 1/2-13 x 1-1/2	
7	70000865	1	Plug	
8	7027360	1	Seal	
9	7027359	2	Fitting, Grease - Straight	
9	2160003	2	Fitting, Grease - 45	
10	7027358	2	Fitting, Grease - 90	
11	See Note	1	Housing (Note: Not Sold Separate - Use 1001153017)	
12	4891500	1	Washer, 5/16	
13	7027363	1	Gear, Worm	
14	70004159	1	Ring Gear	
15	7027352	AR	Gasket (.010 - Brown)	
16	7027351	AR	Gasket (.0075 - Clear)	
17	7027350	AR	Gasket (.005 - Blue)	
18	7027353	1	Gasket (.020 - Yellow)	

SECTION 2 - TURNTABLE

FIGURE 2-11. REMOTE BEARING LUBE INSTALLATION - OPTIONAL



ART_1001166341

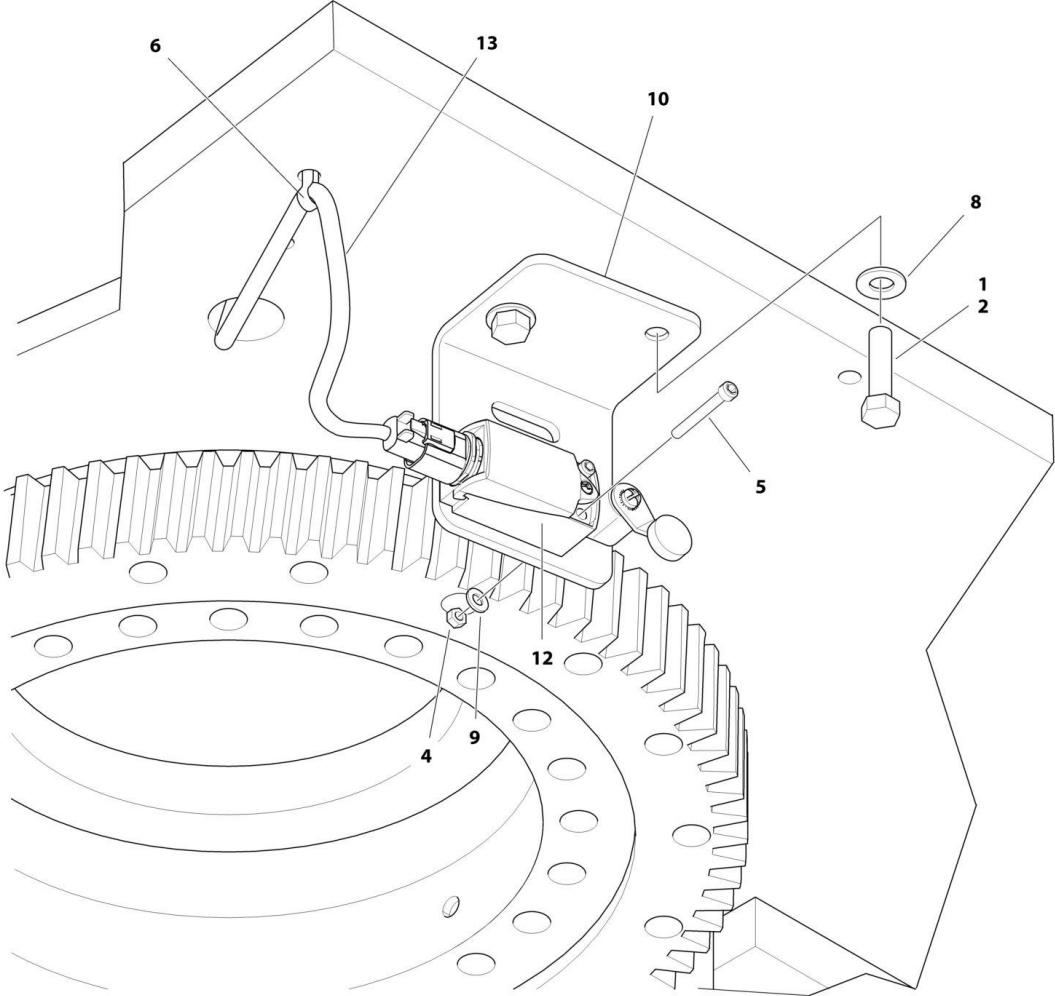
SECTION 2 - TURNTABLE

FIGURE 2-11. REMOTE BEARING LUBE INSTALLATION - OPTIONAL

ITEM	PART NUMBER	QTY	DESCRIPTION	REV
	1001166341	Ref	REMOTE BEARING LUBE INSTALLATION	B
1	1001157058	1	Hose, Remote Grease Line	
2	0100011	AR	Compound, Locking	

SECTION 2 - TURNTABLE

FIGURE 2-12. DRIVE ORIENTATION INSTALLATION



ART_1001166440

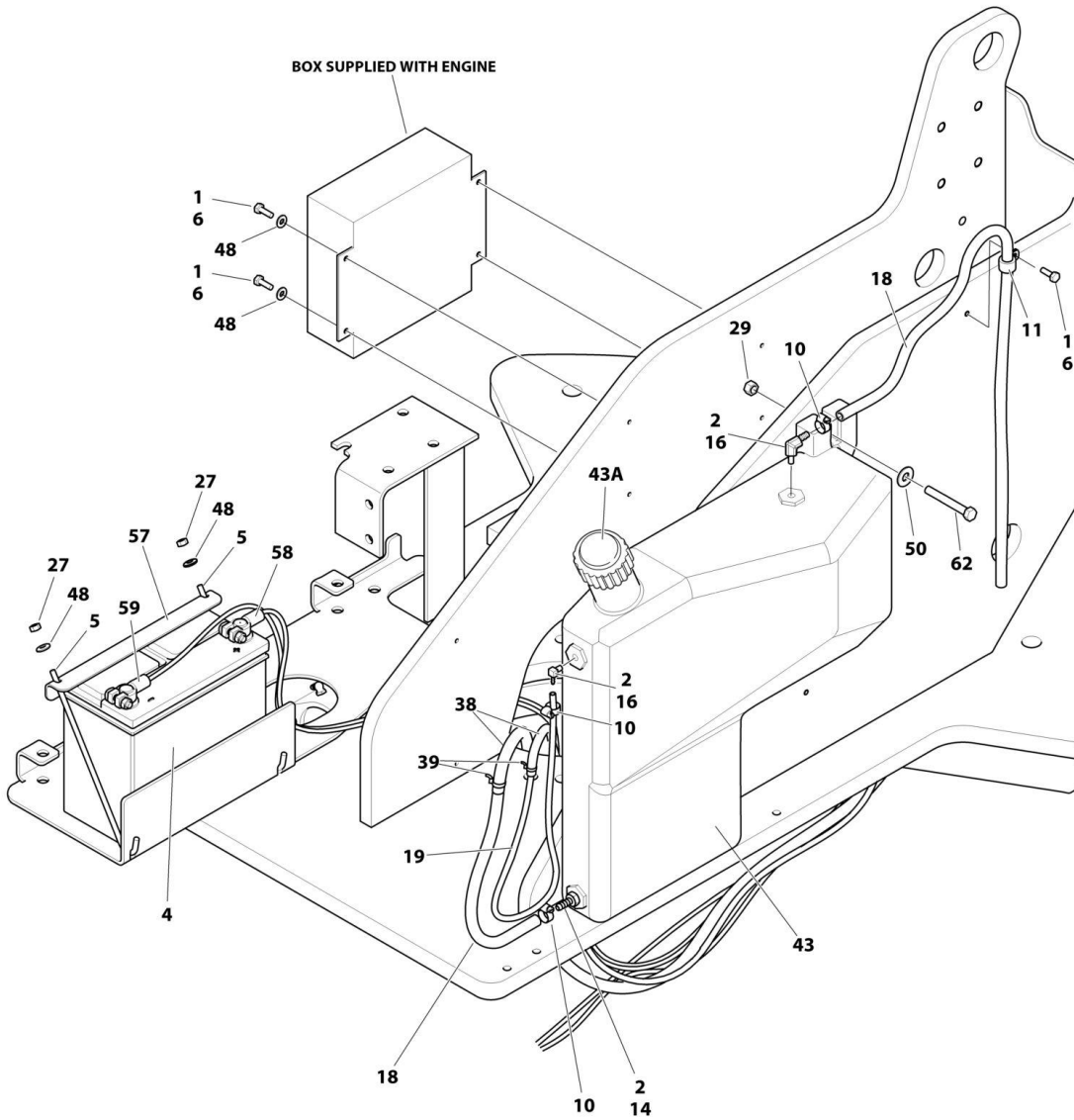
SECTION 2 - TURNTABLE

FIGURE 2-12. DRIVE ORIENTATION INSTALLATION

ITEM	PART NUMBER	QTY	DESCRIPTION	REV
	1001166440	Ref	DRIVE ORIENTATION INSTALLATION	B
1	0100011	AR	Compound, Locking	
2	0641608	2	Bolt, 3/8-16 X 1	
4	3310805	2	Nut, Lock, #8-32	
5	3930824	2	Bolt, Allen Head, #8-32 X 1-1/2	
6	4240175	1	Tie, Strap	
8	4711600	2	Washer, 3/8	
9	4750800	2	Washer, #8	
10	1001171298	1	Bracket, Mounting	
12	1001116232	1	Switch, Limit	
13	1001116522	1	Harness, Drive Orientation (See ELECTRICAL SECTION for Breakdown)	

SECTION 2 - TURNTABLE

FIGURE 2-13. FUEL TANK AND BATTERY INSTALLATION - M450AJ



ART_1001167699_10F4

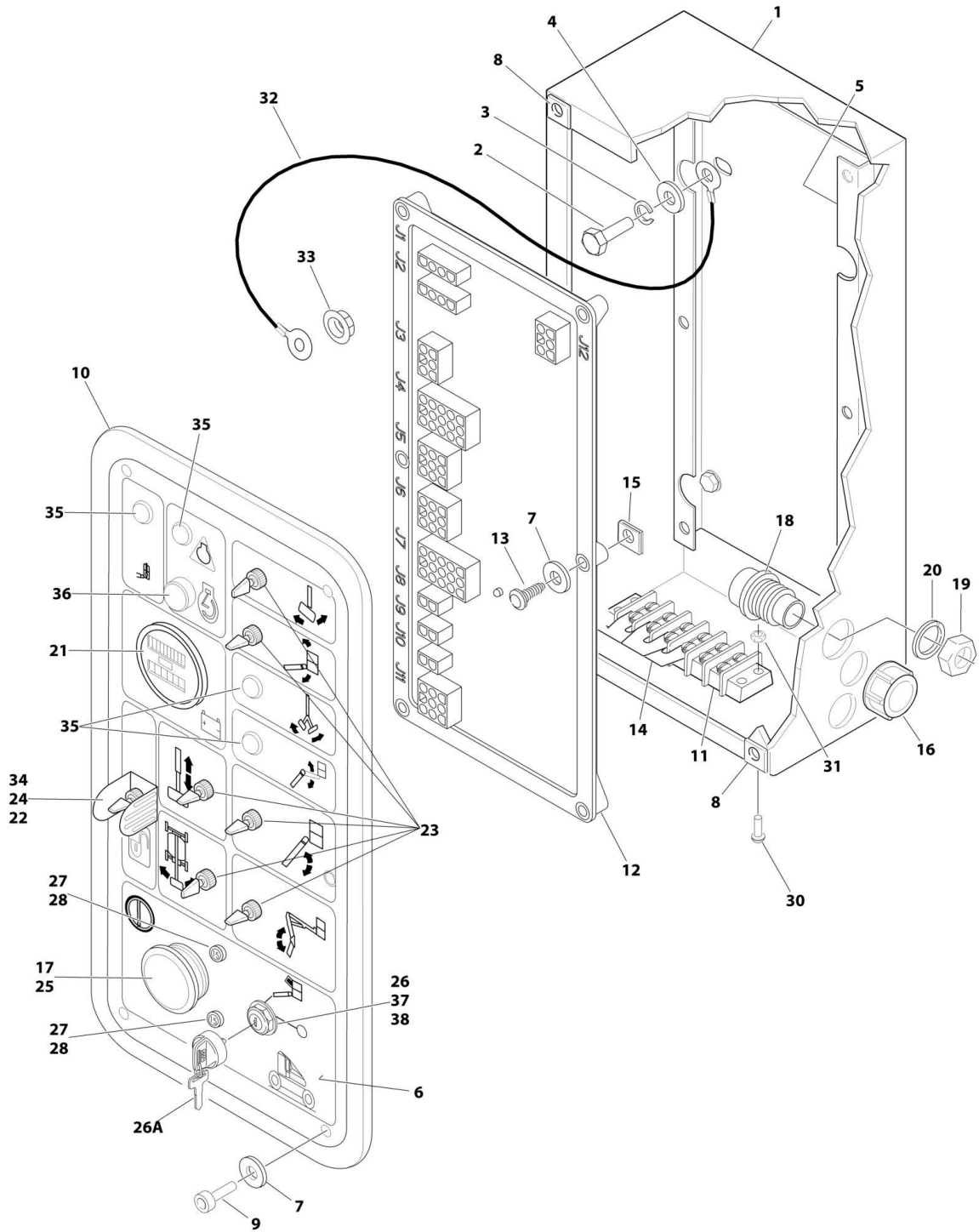
SECTION 2 - TURNTABLE

FIGURE 2-13. FUEL TANK AND BATTERY INSTALLATION - M450AJ

ITEM	PART NUMBER	QTY	DESCRIPTION	REV
	1001167699	Ref	FUEL TANK AND BATTERY INSTALLATION	B
1	0100011	AR	Compound, Locking	
2	0100020	AR	Sealant	
4	0400201	1	Battery	
5	0630552	2	Bolt, Battery Hold Down	
6	0641406	6	Bolt, 1/4-20 X 3/4	
10	1320022	3	Clamp	
11	1320041	1	Clamp	
14	2180348	1	Fitting, Straight, NPT - Barb	
16	2221046	1	Fitting, 90, NPT - Barb	
17	2221047	1	Fitting, 90, NPT - Barb	
18	2720058	16 ft/4.9m	Hose	
19	2720271	10 ft/3m	Hose	
27	3311405	2	Nut, Lock, 1/4-20	
29	3311605	2	Nut, Lock, 3/8-16	
38	4100026	6 ft/1.8m	Sleeve, Hose	
39	4240033	AR	Tie, Wire	
43	4400417	1	Tank, Fuel	
43A	7020179	1	Cap, Fuel (Standard)	
43A	1120487	1	Cap, Lockable (Optional)	
48	4711400	6	Washer, 1/4	
50	4751600	2	Washer, 3/8	
57	1001165977	1	Mount, Battery	
58	1001168004	1	Cable, Battery +	
59	1001168005	1	Cable, Battery (-)	
62	0641622	2	Bolt, 3/8-16 X 2-3/4	

SECTION 2 - TURNTABLE

FIGURE 2-14. GROUND CONTROL BOX ASSEMBLY - E450A



ART_1810136

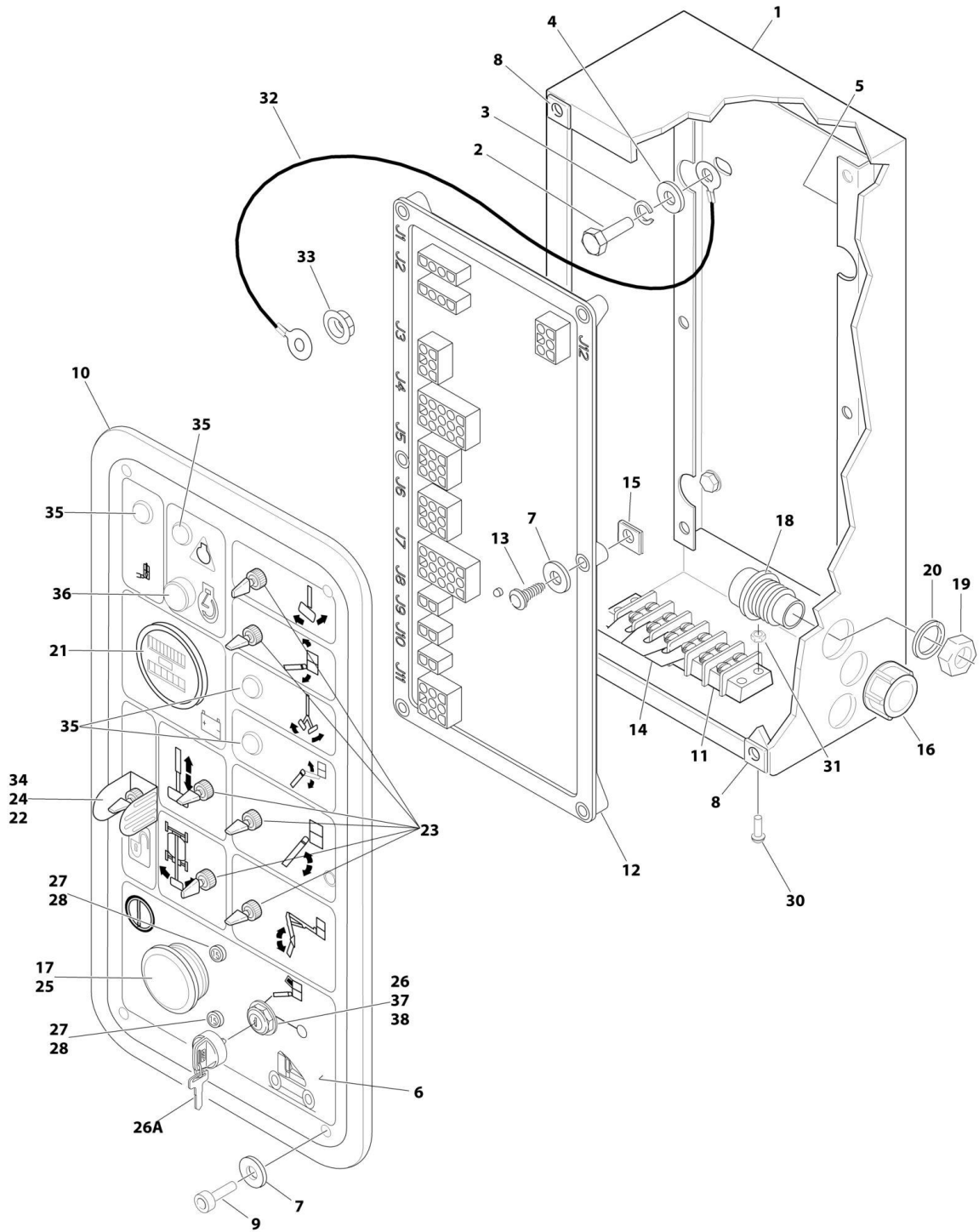
SECTION 2 - TURNTABLE

FIGURE 2-14. GROUND CONTROL BOX ASSEMBLY - E450A

ITEM	PART NUMBER	QTY	DESCRIPTION	REV
	1810136	Ref	GROUND CONTROL BOX ASSEMBLY - E450A	D
1	0861152	1	Box Weldment	
2	0641605	4	Bolt, 3/8-16 x 5/8	
3	4761600	4	Washer, Lock, 3/8	
4	4751600	4	Washer, 3/8	
5	0902406	1	Bracket, Module Mounting	
6	1706938	1	Nameplate	
7	4740120	12	Washer	
8	3300365	6	Nut, Retainer	
9	0630518	6	Screw #10-24 x 3/4	
10	3960438	50	Seal	
		in/1.26m		
11	4460007	1	Strip, Terminal - 6 Position	
12	1001109497	1	Module	
13	0750808	6	Screw, #8 x 1	
14	4460264	3	Buss, Terminal	
15	3300188	6	Nut, Tinnerman	
16	4460425	1	Connector, Strain Relief	
17	4360476	1	Block, Contact	
18	4460495	1	Connector - 14 Position	
19	4460497	1	Nut, Conduit	
20	4460496	1	Washer, Lock	
21	2420106	1	Gauge, Hourmeter and Battery Capacity	
22	4740397	7	Spacer	
23	4360328	6	Switch, Toggle	
24	4060802	1	Guard, Switch	
25	4360475	1	Switch, Emergency Stop	
26	4360469	1	Keyswitch	
26A	2860030	AR	Key, Replacement (Set of 2)	
27	4360070	2	Breaker, Circuit - 15Amp	
28	3300396	2	Nut, Special	
29	4933388	1	Wiring Diagram (Not Shown - See ELECTRICAL SECTION for Breakdown)	
30	0721005	2	Screw, #10-24 x 5/8	
31	3311005	2	Nut, Lock, #10-24	
32	1060584	1	Cable, Lanyard	
33	3311011	1	Nut, Push #10	
34	4360330	1	Switch, Toggle	
35	3520028	4	Plug, Hole, 1/2	
36	3520026	1	Plug, Hole, 5/8	
37	1001151393	1	Shim, Nylon	
38	3910804	6	Screw, #8-32 x 1/4	

SECTION 2 - TURNTABLE

FIGURE 2-15. GROUND CONTROL BOX ASSEMBLY - E450A - CE SPEC



ART_1810137

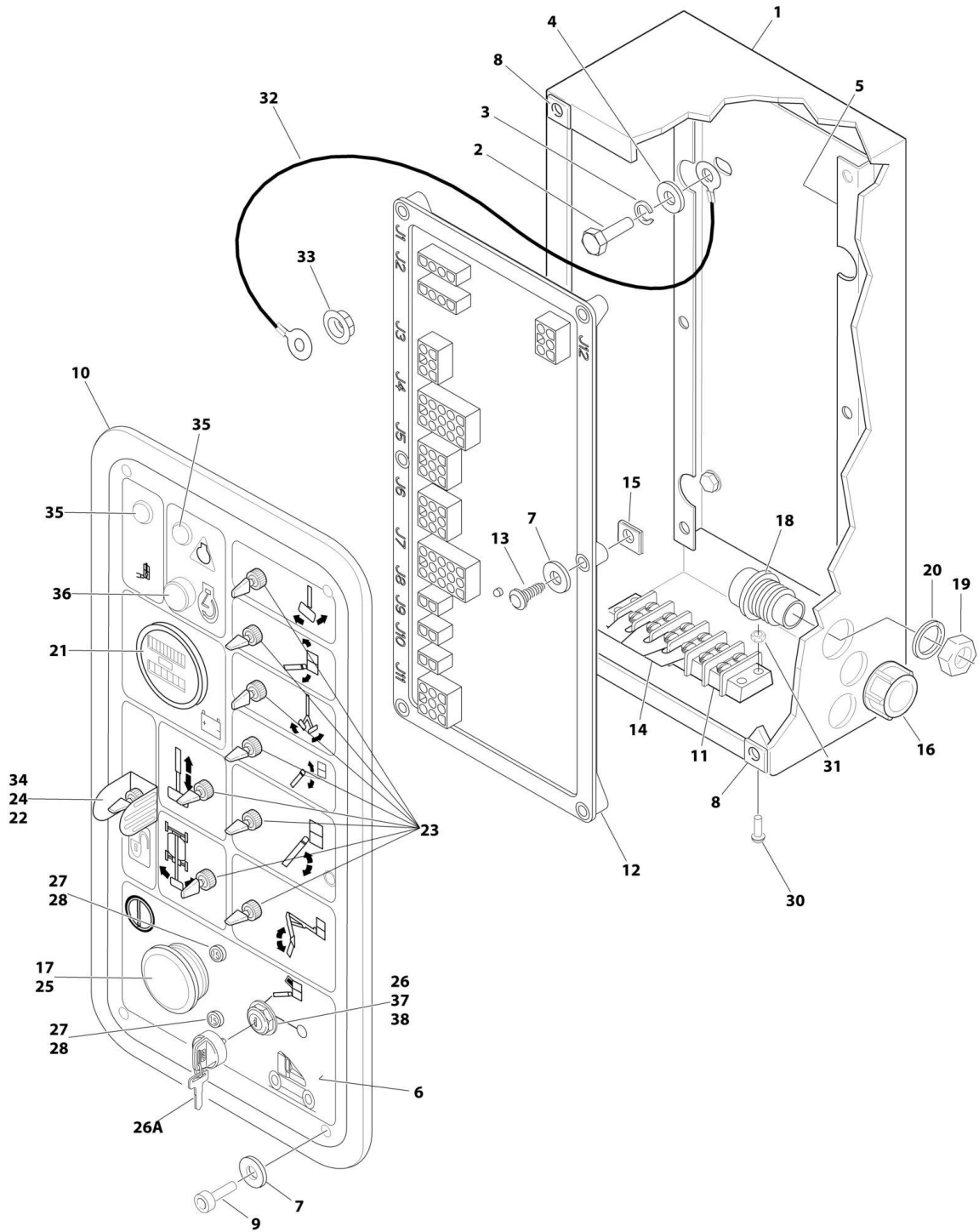
SECTION 2 - TURNTABLE

FIGURE 2-15. GROUND CONTROL BOX ASSEMBLY - E450A - CE SPEC

ITEM	PART NUMBER	QTY	DESCRIPTION	REV
	1810137	Ref	GROUND CONTROL BOX ASSEMBLY - CE SPEC	D
1	0861152	1	Box, Weldment	
2	0641605	4	Bolt, 3/8-16 x 5/8	
3	4761600	4	Washer, Lock, 3/8	
4	4751600	4	Washer, 3/8	
5	0902406	1	Bracket, Module Mounting	
6	1706938	1	Nameplate	
7	4740120	12	Washer	
8	3300365	6	Nut, Retainer	
9	0630518	6	Screw, #10-24 x 3/4	
10	3960438	50	Seal	
		in/1.26m		
11	4460007	1	Strip, Terminal - 6 Position	
12	1001109497	1	Module	
13	0750808	6	Screw, #8 x 1	
14	4460264	1	Buss, Terminal	
15	3300188	6	Nut, Tinnerman	
16	4460425	1	Connector, Strain Relief	
17	4360476	1	Block, Contact	
18	4460495	1	Connector - 14 Position	
19	4460497	1	Nut, Conduit	
20	4460496	1	Washer, Lock	
21	2420106	1	Gauge, Hourmeter/Battery Capacity	
22	4740397	7	Spacer	
23	4360328	6	Switch, Toggle	
24	4060802	1	Guard, Switch	
25	4360475	1	Switch, Emergency Stop	
26	4360470	1	Keyswitch	
26A	2860030	AR	Key, Replacement (Set of 2)	
27	4360070	2	Breaker, Circuit - 15Amp	
28	3300396	2	Nut, Special	
29	4933388	1	Wiring Diagram (Not Shown - See ELECTRICAL SECTION for Breakdown)	
30	0721005	2	Screw, #10-24 x 5/8	
31	3311005	2	Nut, Lock, #10-24	
32	1060584	1	Cable, Lanyard	
33	3311011	1	Nut, Push, #10	
34	4360330	1	Switch, Toggle	
35	3520028	4	Plug, Hole - 1/2	
36	3520026	1	Plug, Hole - 5/8	
37	1001151393	1	Shim - 0.063	
38	3910804	6	Screw, #8-32 x 1/4	

SECTION 2 - TURNTABLE

FIGURE 2-16. GROUND CONTROL BOX ASSEMBLY - E450AJ/M450AJ



ART_1810138

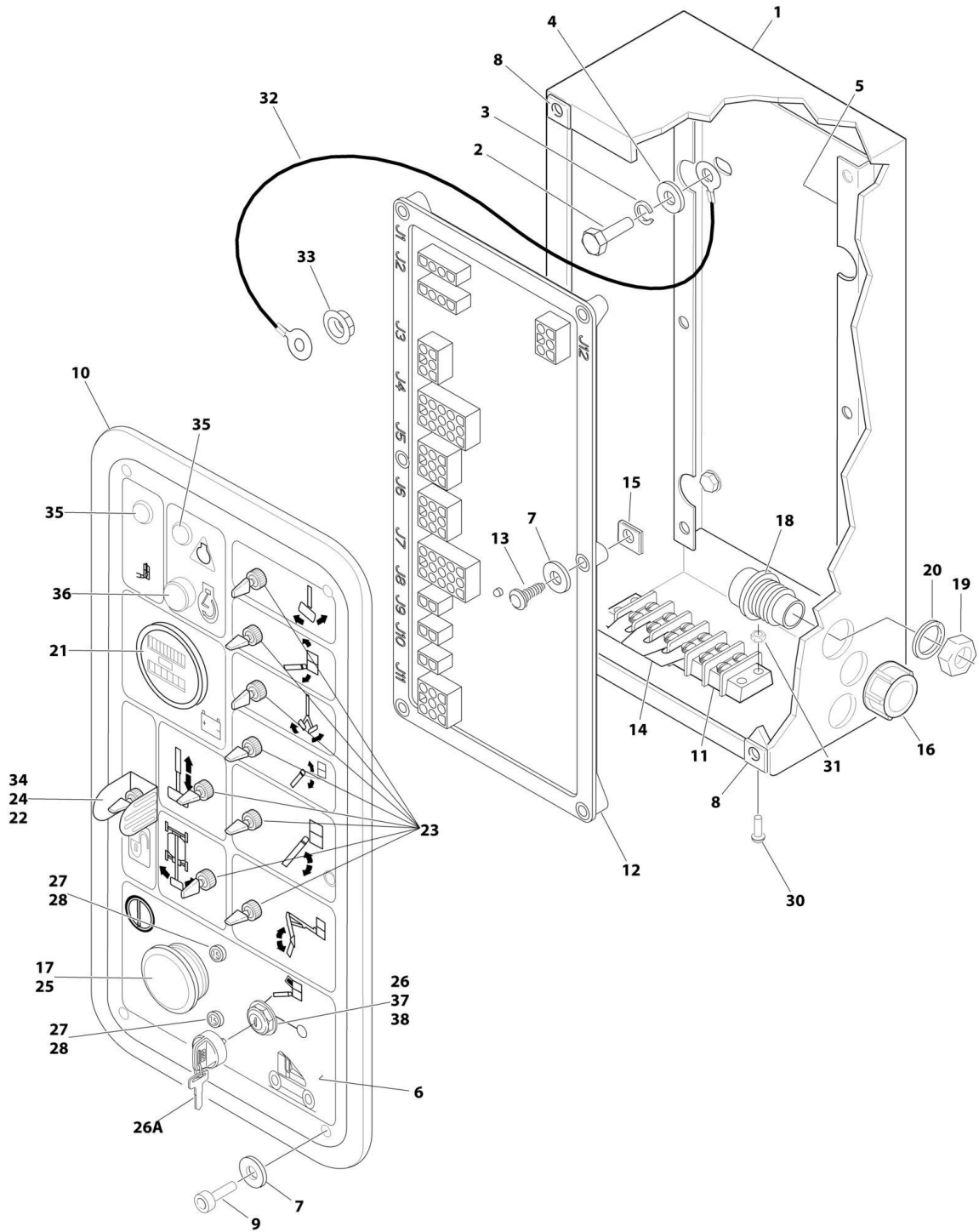
SECTION 2 - TURNTABLE

FIGURE 2-16. GROUND CONTROL BOX ASSEMBLY - E450AJ/M450AJ

ITEM	PART NUMBER	QTY	DESCRIPTION	REV
	1810138	Ref	GROUND CONTROL BOX ASSEMBLY - E450AJ/M450AJ	D
1	0861152	1	Box, Weldment	
2	0641605	4	Bolt, 3/8-16 x 5/8	
3	4761600	4	Washer, Lock, 3/8	
4	4751600	4	Washer, 3/8	
5	0902406	1	Bracket, Module Mounting	
6	1706938	1	Nameplate	
7	4740120	12	Washer	
8	3300365	6	Nut, Retainer	
9	0630518	6	Screw, #10-24 x 3/4	
10	3960438	50	Seal	
		in/1.26m		
11	4460007	1	Strip, Terminal - 6 Position	
12	1001109497	1	Module	
13	0750808	6	Screw, #8 x 1	
14	4460264	3	Buss, Terminal	
15	3300188	6	Nut, Tinnerman	
16	4460425	1	Connector, Strain Relief	
17	4360476	1	Block, Contact	
18	4460495	1	Connector - 14 Position	
19	4460497	1	Nut, Conduit	
20	4460496	1	Washer, Lock	
21	2420106	1	Gauge, Hourmeter/Battery Capacity	
22	4740397	9	Spacer	
23	4360328	8	Switch, Toggle	
24	4060802	1	Guard, Switch	
25	4360475	1	Switch, Emergency Stop	
26	4360469	1	Keyswitch	
26A	2860030	AR	Key, Replacement (Set of 2)	
27	4360070	2	Breaker, Circuit - 15Amp	
28	3300396	2	Nut, Special	
29	4933388	1	Wiring Diagram (Not Shown - See ELECTRICAL SECTION for Breakdown)	
30	0721005	2	Screw, #10-24 x 3/4	
31	3311005	2	Nut, Lock, #10-24	
32	1060584	1	Cable, Lanyard	
33	3311011	1	Nut, Push, #10	
34	4360330	1	Switch, Toggle	
35	3520028	2	Plug, Hole - 1/2	
36	3520026	1	Plug, Hole - 5/8	
37	1001151393	1	Shim - 0.063	
38	3910804	6	Screw, #8-32 x 1/4	

SECTION 2 - TURNTABLE

FIGURE 2-17. GROUND CONTROL BOX ASSEMBLY - E450AJ/M450AJ - CE SPEC



ART_1810139

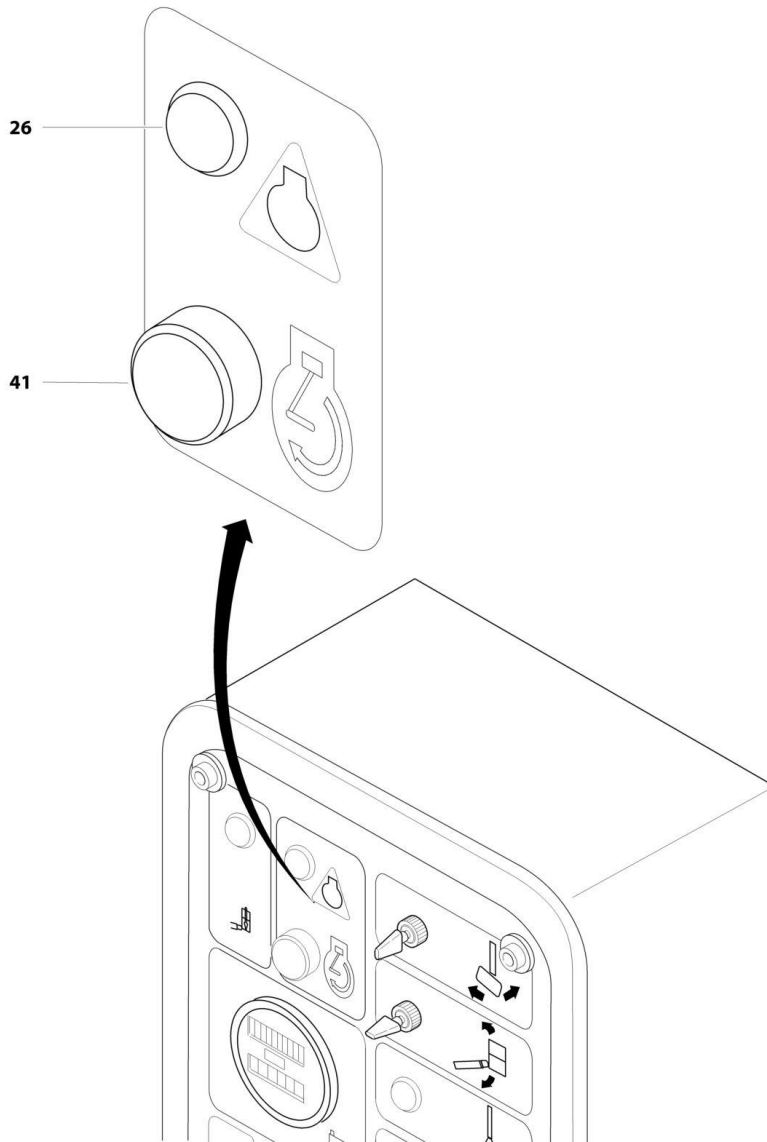
SECTION 2 - TURNTABLE

FIGURE 2-17. GROUND CONTROL BOX ASSEMBLY - E450AJ/M450AJ - CE SPEC

ITEM	PART NUMBER	QTY	DESCRIPTION	REV
	1810139	Ref	GROUND CONTROL BOX ASSEMBLY - E450AG/M450AJ - CE SPEC	D
1	0861152	1	Box, Weldment	
2	0641605	4	Bolt, 3/8-16 x 5/8	
3	4761600	4	Washer, Lock, 3/8	
4	4751600	4	Washer, 3/8	
5	0902406	1	Bracket, Module Mounting	
6	1706938	1	Nameplate	
7	4740120	12	Washer	
8	3300365	6	Nut, Retainer	
9	0630518	6	Screw, #10-24 x 3/4	
10	3960438	50	Seal	
		in/1.26m		
11	4460007	1	Strip, Terminal - 6 Position	
12	1001109497	1	Module	
13	0750808	6	Screw, #8 x 1	
14	4460264	3	Buss, Terminal	
15	3300188	6	Nut, Tinnerman	
16	4460425	1	Connector, Strain Relief	
17	4360476	1	Block, Contact	
18	4460495	1	Connector - 14 Position	
19	4460497	1	Nut, Conduit	
20	4460496	1	Washer, Lock	
21	2420106	1	Gauge, Hourmeter/Battery Capacity	
22	4740397	9	Spacer	
23	4360328	8	Switch, Toggle	
24	4060802	1	Guard, Switch	
25	4360475	1	Switch, Emergency Stop	
26	4360470	1	Keyswitch	
26A	2860030	1	Key, Replacement (Set of 2)	
27	4360070	2	Breaker, Circuit - 15Amp	
28	3300396	2	Nut, Special	
29	4933388	1	Wiring Diagram (Not Shown - See ELECTRICAL SECTION for Breakdown)	
30	0721005	2	Screw, #10-24 x 3/4	
31	3311005	2	Nut, Lock, #10-24	
32	1060584	1	Cable, Lanyard	
33	3311011	1	Nut, Push, #10	
34	4360330	1	Switch, Toggle	
35	3520028	2	Plug, Hole - 1/2	
36	3520026	1	Plug, Hole - 5/8	
37	1001151393	1	Shim - 0.063	
38	3910804	6	Screw, #8-32 x 1/4	

SECTION 2 - TURNTABLE

FIGURE 2-18. MOTOR CONTROLS INSTALLATION - M450AJ



ART_1001167699_20F4

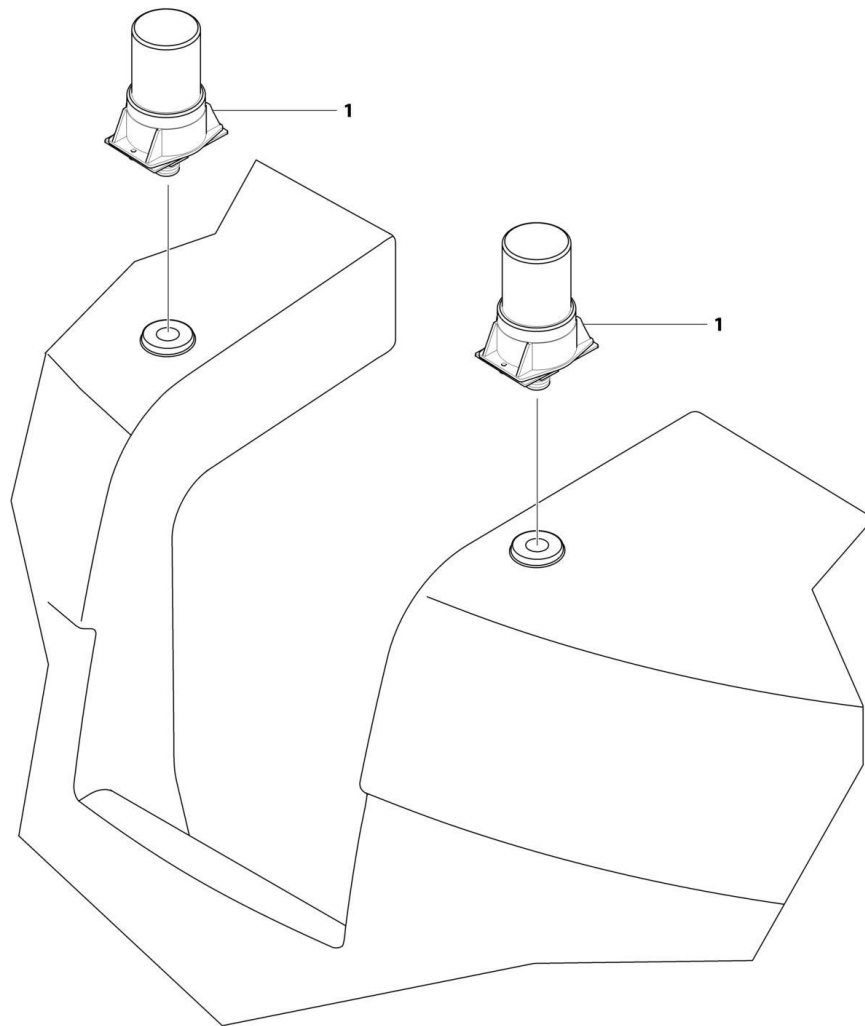
SECTION 2 - TURNTABLE

FIGURE 2-18. MOTOR CONTROLS INSTALLATION - M450AJ

ITEM	PART NUMBER	QTY	DESCRIPTION	REV
	1001167699	Ref	MOTOR CONTROLS INSTALLATION - M450AJ	B
26	2920151	1	Led (Red)	
41	4360274	1	Switch, Push Button	
54	4922319	1	Harness, Generator (Not Shown - See ELECTRICAL SECTION for Breakdown)	

SECTION 2 - TURNTABLE

FIGURE 2-19. BEACON LIGHT INSTALLATION - OPTIONAL



ART_1001149955

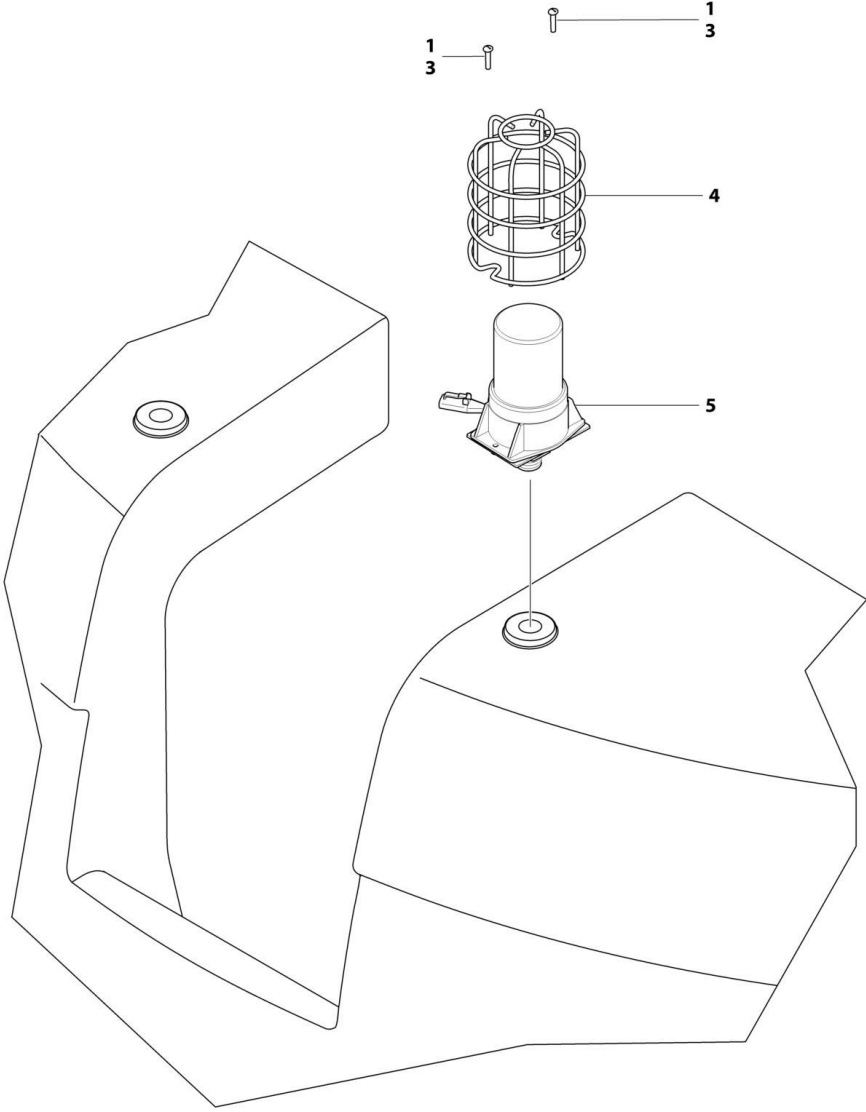
SECTION 2 - TURNTABLE

FIGURE 2-19. BEACON LIGHT INSTALLATION - OPTIONAL

ITEM	PART NUMBER	QTY	DESCRIPTION	REV
	1001149955	Ref	STROBE LIGHT INSTALLATION (AMBER) - OPTIONAL Note: If machine is equipped with BLUE Strobe Light, see SPECIAL OPTIONS SECTION SkyGuard Kit.	A
		Ref		
1	1001150406	1	Strobe Light Assembly (See STROBE LIGHT ASSEMBLY for Breakdown)	
2	1001149818	1	Harness, Strobe Light (Not Shown - See ELECTRICAL SECTION for Breakdown)	

SECTION 2 - TURNTABLE

FIGURE 2-20. STROBE LIGHT INSTALLATION - UL LISTED - OPTIONAL



ART_1001158612

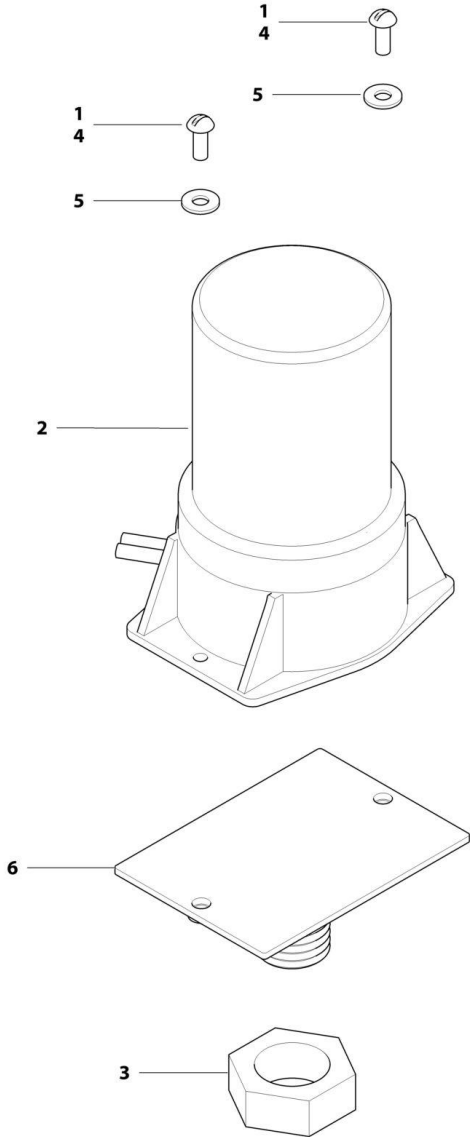
SECTION 2 - TURNTABLE

FIGURE 2-20. STROBE LIGHT INSTALLATION - UL LISTED - OPTIONAL

ITEM	PART NUMBER	QTY	DESCRIPTION	REV
	1001158612	Ref	STROBE LIGHT INSTALLATION - UL LISTED - OPTIONAL	A
		Ref	Note: If machine is equipped with BLUE Strobe Light, see SPECIAL OPTIONS SECTION SkyGuard Kit.	
1	0100035	AR	Compound, Locking	
2	1001149818	1	Harness, Strobe Light (Not Shown - See ELECTRICAL SECTION for Breakdown)	
3	3900128	2	Screw #10-32 X 7/8	
4	4060865	1	Guard	
5	1001150406	1	Strobe Light Assembly (See STROBE LIGHT ASSEMBLY for Breakdown)	

SECTION 2 - TURNTABLE

FIGURE 2-21. STROBE LIGHT ASSEMBLY



ART_1001150406

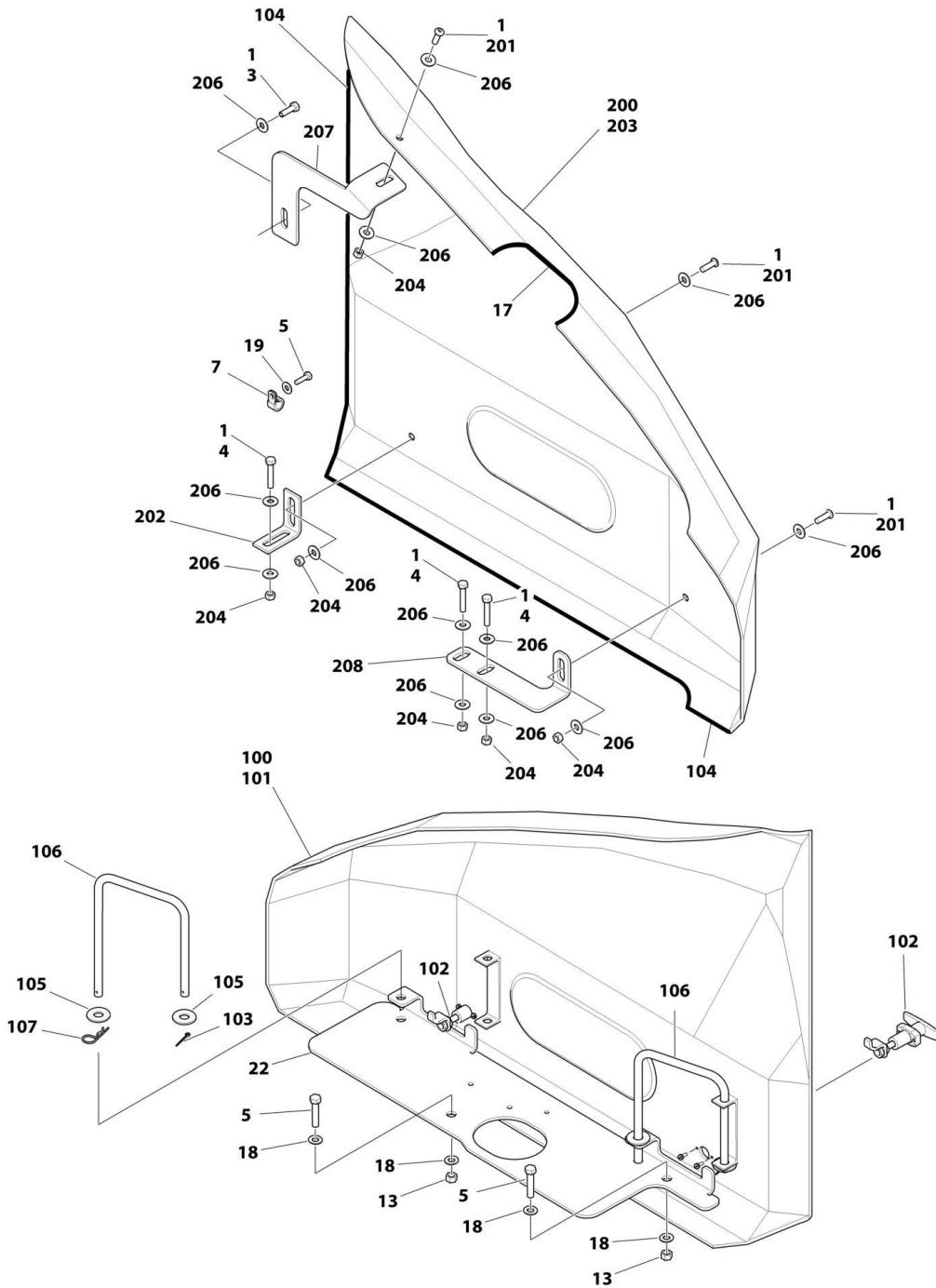
SECTION 2 - TURNTABLE

FIGURE 2-21. STROBE LIGHT ASSEMBLY

ITEM	PART NUMBER	QTY	DESCRIPTION	REV
	1001150406	Ref	STROBE LIGHT ASSEMBLY (AMBER)	B
		Ref	Note: If machine is equipped with BLUE Strobe Light, see SPECIAL OPTIONS SECTION SkyGuard Kit.	
1	0100035	AR	Compound, Locking	
2	2920161	1	Strobe Light/Harness Assembly (See ELECTRICAL SECTION for Breakdown)	
3	3312602	1	Nut, Jam 1-8	
4	3900085	2	Screw #10-32 X 1/2	
5	4751000	2	Washer, #10	
6	1001149994	1	Plate, Mounting	

SECTION 2 - TURNTABLE

FIGURE 2-22. HOOD INSTALLATION - E450A



ART_1001166738

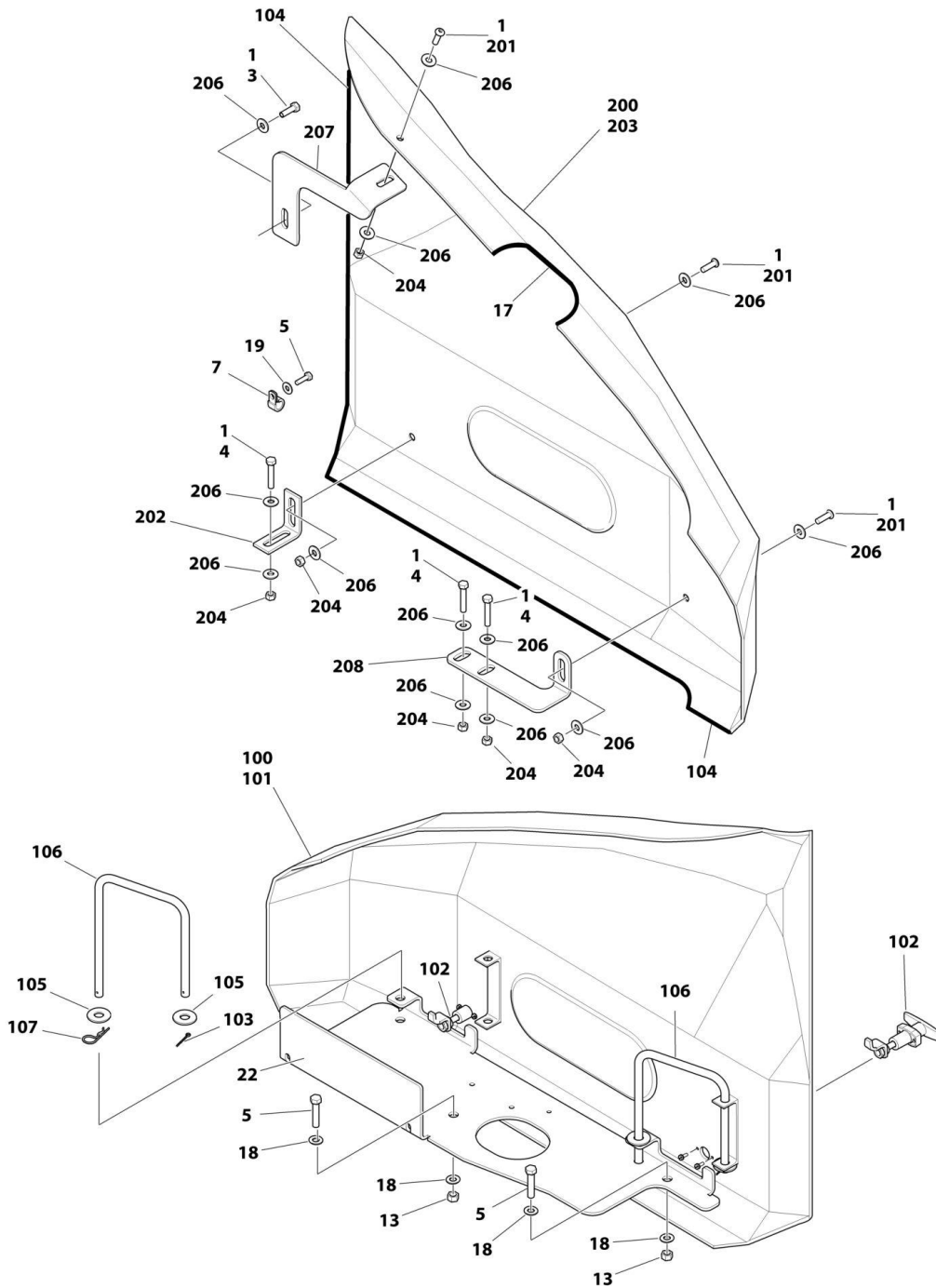
SECTION 2 - TURNTABLE

FIGURE 2-22. HOOD INSTALLATION - E450A

ITEM	PART NUMBER	QTY	DESCRIPTION	REV
	1001166738	Ref	HOOD INSTALLATION - E450A	B
1	0100011	AR	Compound, Locking	
3	0641508	1	Bolt, 5/16-18 X 1	
4	0641514	3	Bolt, 5/16-18 X 1-3/4	
5	0641614	2	Bolt, 3/8-16 X 1-3/4	
7	1320041	1	Clamp	
13	3311601	2	Nut, 3/8-16	
15	0641407	1	Bolt, 1/4-20 X 7/8	
17	4060805	8 in/0.20m	Shield, Flex Trim	
18	4711600	4	Washer, 3/8	
19	4751400	1	Washer, 1/4	
22	1001165963	1	Plate, Tray	
100	1001176417	1	LH Side Hood Kit (Includes Items 101-107)	
	See Note	Ref	Note: Replacement Decals Must be Ordered Separately - See Decal Section.	
101	See Note	1	Hood, LH (Note: Use Item 100)	
102	2940071	2	Latch	
103	3420156	2	Pin, Cotter	
104	3960453	AR	Seal, Door	
105	4751800	2	Washer, 1/2	
106	1001165985	2	Mount, Hood Swing	
107	3450304	2	Pin, Cotter	
200	1001176441	1	RH Side Hood Kit (Includes Items 201-208)	
	See Note	Ref	Note: Replacement Decals Must be Ordered Separately - See Decal Section.	
201	0630468	3	Bolt, 5/16-18 X 1	
202	0901923	1	Bracket, Hood Mount	
203	See Note	1	Hood, RH (Use Item 200)	
204	3311501	6	Nut, 5/16-18	
205	3960453	AR	Seal, Door	
206	4751500	14	Washer, 5/16	
207	1001165980	1	Mount, Hood	
208	1001165981	1	Mount, Hood - Lower	

SECTION 2 - TURNTABLE

FIGURE 2-23. HOOD INSTALLATION - E450AJ/M450AJ



ART_1001166250

SECTION 2 - TURNTABLE

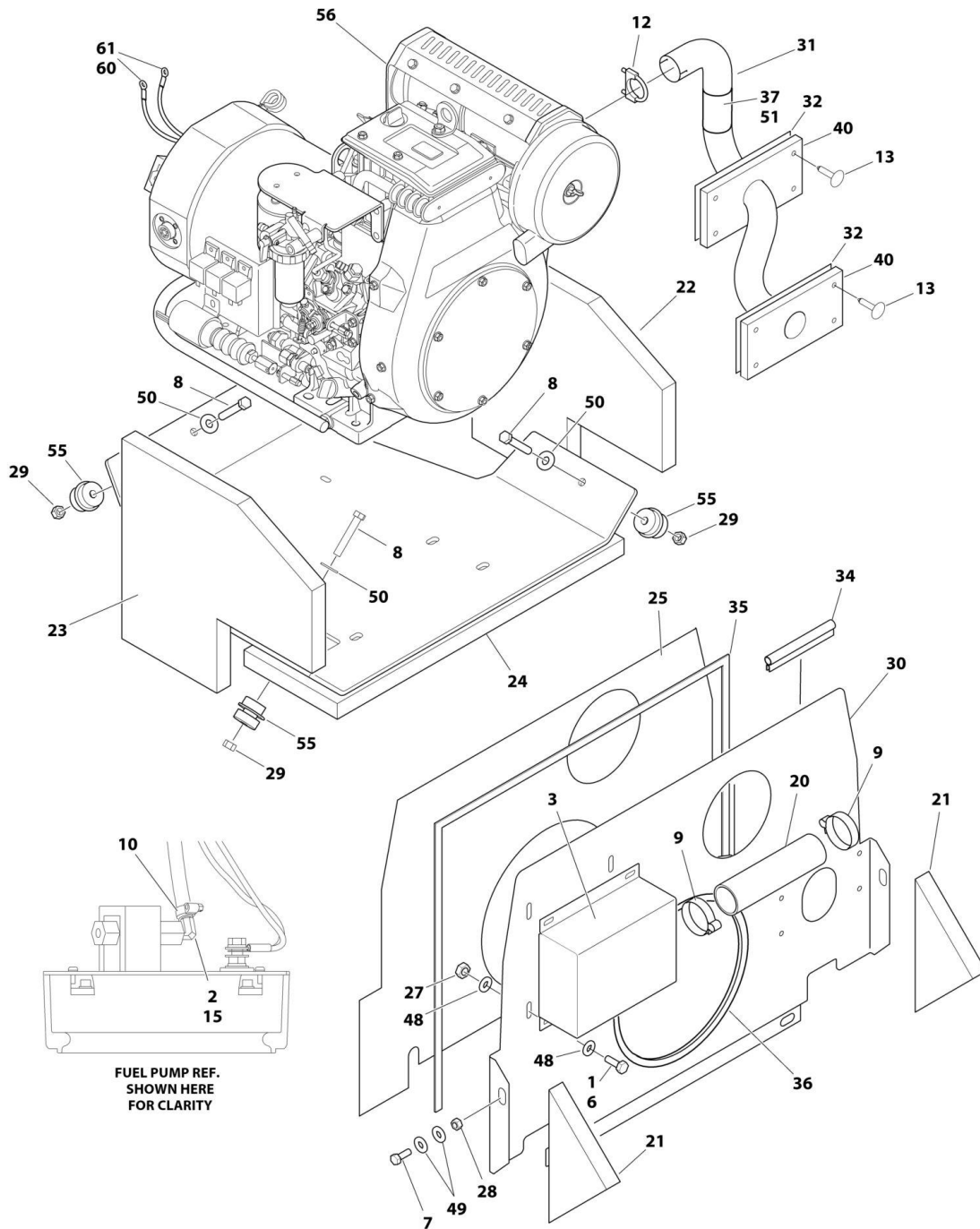
FIGURE 2-23. HOOD INSTALLATION - E450AJ/M450AJ

ITEM	PART NUMBER	QTY	DESCRIPTION	REV
	1001166250	Ref	HOOD INSTALLATION - E450AJ/M450AJ	B
1	0100011	AR	Compound, Locking	
3	0641508	1	Bolt, 5/16-18 X 1	
4	0641514	3	Bolt, 5/16-18 X 1-3/4	
5	0641614	2	Bolt, 3/8-16 X 1-3/4	
7	1320041	1	Clamp	
13	3311601	2	Nut, 3/8-16	
15	0641407	1	Bolt, 1/4-20 X 7/8	
17	4060805	8 in/0.20m	Shield, Flex Trim	
18	4711600	4	Washer, 3/8	
19	4751400	1	Washer, 1/4	
22	1001165962	1	Plate, Tray	
100	1001176417	1	LH Hood Kit (Includes Items 101-107)	
	See Note	Ref	Note: Replacement Decals Must be Ordered Separately - See Decal Section.	
101	See Note	1	Hood, LH (Note: Use Item 100)	
102	2940071	2	Latch	
103	3420156	2	Pin, Cotter	
104	3960453	AR	Seal, Door	
105	4751800	2	Washer, 1/2	
106	1001165985	2	Mount, Hood Swing	
107	3450304	2	Pin, Cotter	
200	1001176441	1	RH, Side Hood Kit (Includes Items 201-208)	
	See Note	Ref	Note: Replacement Decals Must be Ordered Separately - See Decal Section.	
201	0630468	3	Bolt, 5/16-18 X 1	
202	0901923	1	Bracket, Hood Mount	
203	See Note	1	Hood, RH (Note: Use Item 200)	
204	3311501	6	Nut, 5/16-18	
205	3960453	AR	Seal, Door	
206	4751500	14	Washer, 5/16	
207	1001165980	1	Mount, Hood	
208	1001165981	1	Mount, Hood - Lower	

SECTION 3 - ENGINE

SECTION 3 - ENGINE

FIGURE 3-1. KUBOTA MOTOR/GENERATOR INSTALLATION - M450AJ



ART_1001167699_30F4

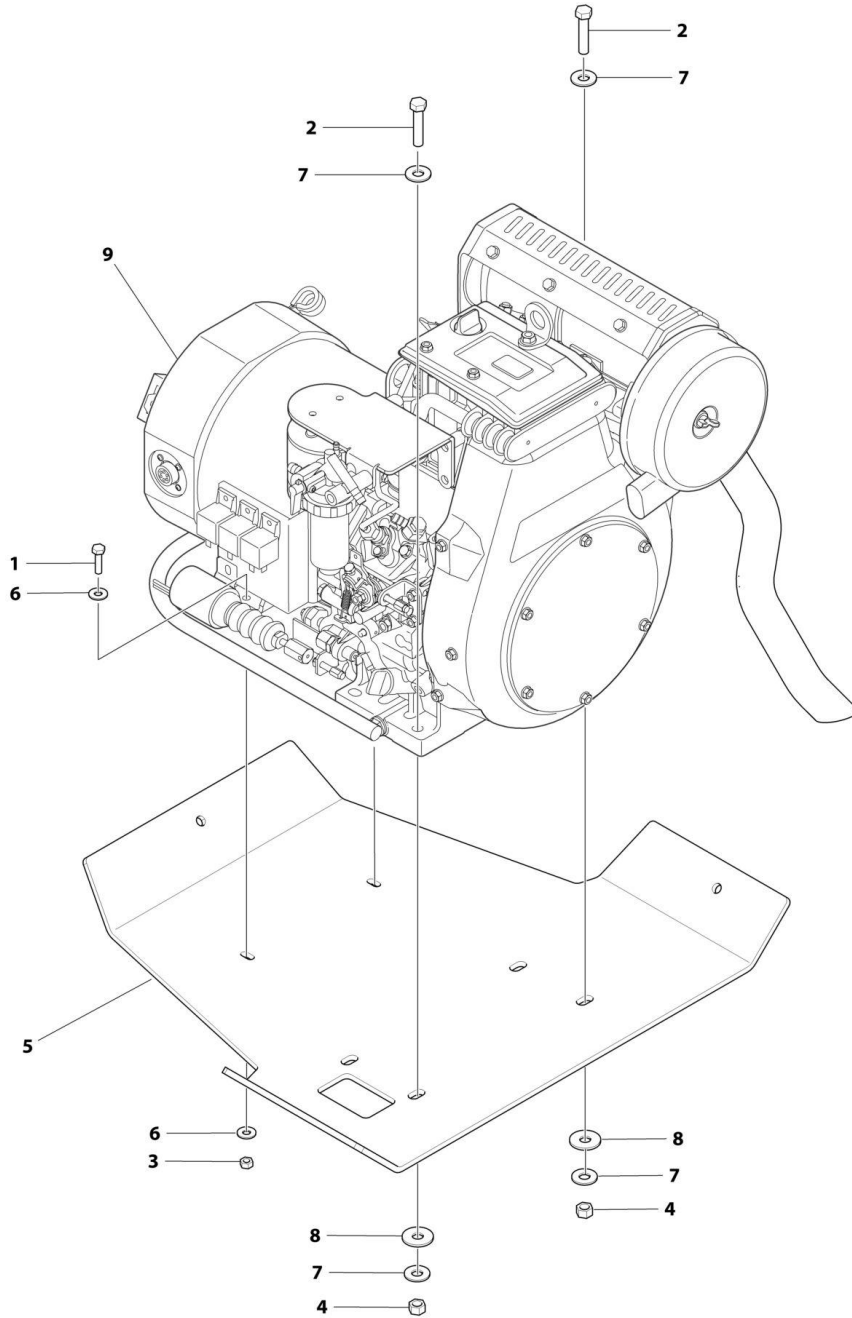
SECTION 3 - ENGINE

FIGURE 3-1. KUBOTA MOTOR/GENERATOR INSTALLATION - M450AJ

ITEM	PART NUMBER	QTY	DESCRIPTION	REV
	1001167699	Ref	KUBOTA ENGINE INSTALLATION	B
1	0100011	AR	Compound, Locking	
2	0100020	AR	Sealant	
3	0259481	1	Plenum Box Assembly	
6	0641406	8	Bolt, 1/4-20 X 3/4	
7	0641508	2	Bolt, 5/16-18 X 1	
8	0641618	3	Bolt, 3/8-16 X 2-1/4	
9	1320012	2	Clamp	
10	1320022	2	Clamp	
12	1320135	1	Clamp	
13	1380164	8	Clip, Panel Retainer	
15	2220805	1	Fitting, NPT Coupling 90	
20	2720559	1	Hose	
21	2820111	2	Insulation	
22	2820112	1	Insulation, Right Side	
23	2820116	1	Insulation, Left Side	
24	2820117	1	Foam	
25	2820218	1	Insulation, Acoustic Barrier	
27	3311405	4	Nut, Lock, ,1/4-20	
28	3311505	2	Nut, Lock, 5/16-18	
29	3311605	3	Nut, Lock, 3/8-16	
30	3380602	1	Shield, Heat	
31	3460457	1	Pipe, Exhaust	
32	3575961	2	Plate, Exhaust Mount	
34	3960389	5 ft/1525m m	Seal	
35	3960417	2.3 ft/701mm	Seal	
36	3960418	3 ft/915mm	Seal	
37	4100025	1.8 ft/549mm	Sleeve, Fiberglass	
40	4341072	2	Support, Exhaust Mount	
48	4711400	12	Washer, 1/4	
49	4751500	4	Washer, 5/16	
50	4751600	3	Washer, 3/8	
51	4920385	7.3 in/183mm	Wire, Safety	
55	1001125248	3	Mount, Engine	
56	1001159361	1	Kubota Engine Assembly (See KUBOTA ENGINE ASSEMBLY for Breakdown)	
60	1060755	1	Cable, Battery (Includes Terminal Boot) (- Generator)	
61	1060754	1	Cable, Battery (Includes Terminal Boot) (+ Generator)	

SECTION 3 - ENGINE

FIGURE 3-2. KUBOTA MOTOR/GENERATOR ASSEMBLY - M450AJ



ART_1001153961

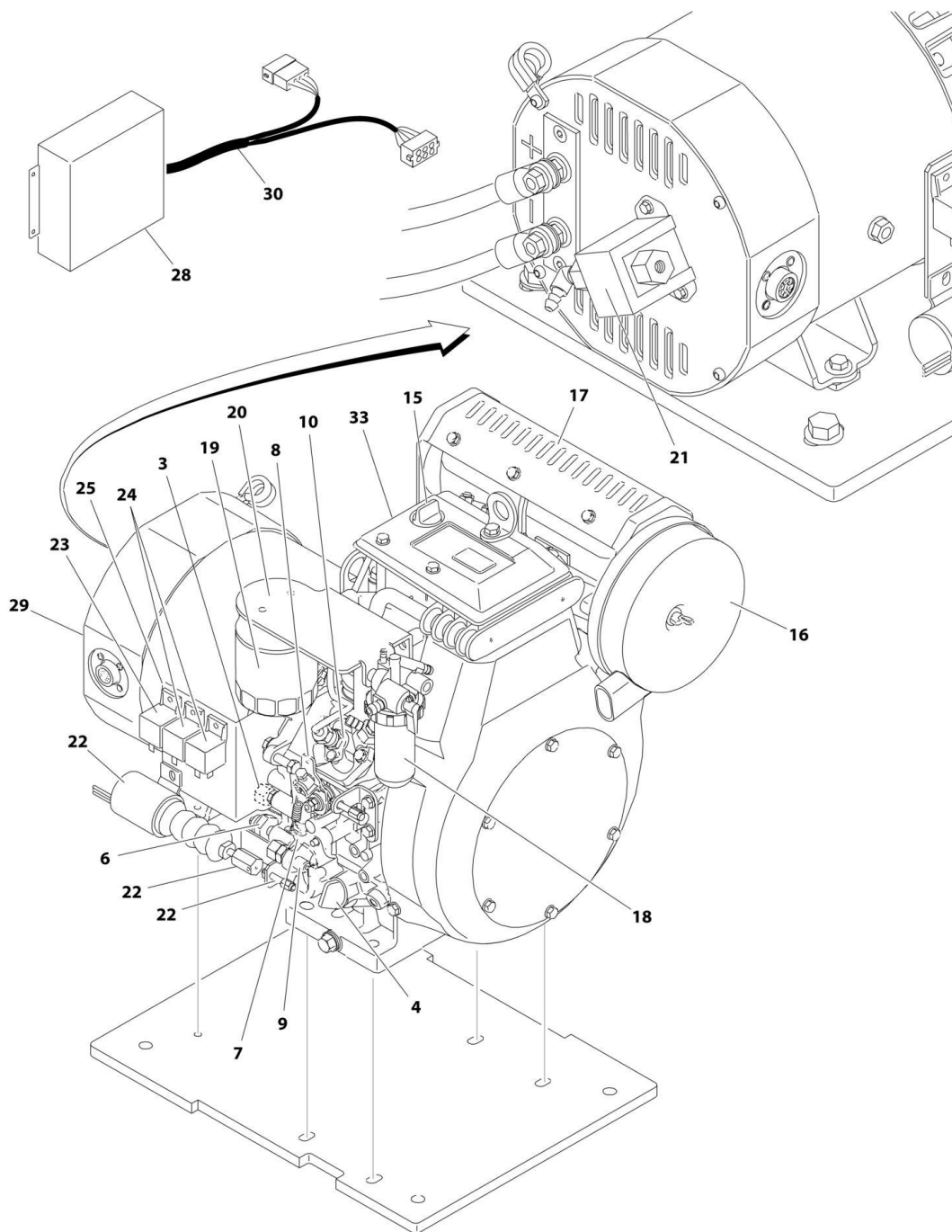
SECTION 3 - ENGINE

FIGURE 3-2. KUBOTA MOTOR/GENERATOR ASSEMBLY - M450AJ

ITEM	PART NUMBER	QTY	DESCRIPTION	REV
	1001159361	Ref	KUBOTA ENGINE/GENERATOR ASSEMBLY	A
1	0641408	2	Bolt, 1/4-20 X 1	
2	0641614	4	Bolt, 3/8-16 X 1-3/4	
3	3311405	2	Nut, Lock, 1/4-20	
4	3311605	4	Nut, Lock, 3/8-16	
5	3575952	1	Plate, Base	
6	4751400	4	Washer, 1/4	
7	4751600	8	Washer, 3/8	
8	4761600	4	Washer, Lock 3/8	
9	1001159355	1	Kubota Engine/Generator Assembly (See KUBOTA ENGINE/GENERATOR COMPONENTS for Breakdown)	

SECTION 3 - ENGINE

FIGURE 3-3. KUBOTA MOTOR/GENERATOR COMPONENTS



ART_1001159355

SECTION 3 - ENGINE

FIGURE 3-3. KUBOTA MOTOR/GENERATOR COMPONENTS

ITEM	PART NUMBER	QTY	DESCRIPTION	REV
	1001159355	Ref	KUBOTA ENGINE/GENERATOR ASSEMBLY	A
1	70000290	1	Glow Plug (Not Shown)	
1	70000291	1	Harness, Glow Plug (Not Shown)	
2	70000292	1	Screen, Oil Sump (Includes O-Ring)	
3	70000293	1	Cap, Oil Filler (Includes O-Ring)	
4	70000294	1	Dipstick	
5	70000295	1	Pump, Oil Rotor (Not Shown - Located beside Item 6)	
5	70000296	1	O-Ring Oil Rotor Pump (Not Shown)	
6	70000297	1	Switch, Oil	
7	70000298	1	Lever, Governor	
7	70000299	1	Pin, Governor Lever	
7	70000300	1	Spring, Governor Lever	
8	70000301	1	Spring, Idling	
8	70000304	1	Lever, Spring Control	
8	70000305	1	Spring, Stop (Speed Control Lever)	
9	70000302	1	Valve, Fuel Limit (Not Shown)	
9	70000303	1	Gasket, Fuel Limit (Not Shown)	
10	70000306	1	Pump, Injection	
10	70000307	1	Kit, Pump Adjustment Shim	
11	70000308	1	Flywheel/Ring Gear Assembly (Not Shown - Located Behind Front Cover)	
11	70000309	1	Ring Gear (Not Shown)	
11	70001121	1	Stator, Engine (Not Shown - Located Behind Flywheel) (Includes Coil & Grommet)	
12	70003557	1	Regulator, Voltage (Not Shown - Located on Opposite Side of Engine)	
13	70000310	1	Starter (Not Shown - Located on Opposite of Engine)	
14	70000311	1	Solenoid, Starter (Not Shown - Located on Opposite Side of Engine)	
15	70002244	1	Cap, Oil Filler (Includes O-Ring)	
16	70000312	1	Air Filter Assembly	
16	70000313	1	Element, Air Cleaner	
16	70000314	1	Gasket, Air Cleaner	
17	70000315	1	Muffler Assembly	
17	70000316	1	Gasket, Muffler	
18	70000317	1	Inline Fuel Check Valve Assembly	
18	70000967	1	Fuel Filter Assembly	
18	70000318	1	Element, Fuel Filter	
19	70000319	1	Element, Oil Filter	
19	70001144	1	Head, Oil Filter Head (Note: Does Not Include Element)	
20	70002544	1	Bracket, Oil Filter Mount	
21	70000320	1	Pump, Fuel	
22	70000321	1	Solenoid, Fuel	
22	70003618	1	Adapter, Solenoid	
22	70003619	1	Screw	
23	70000322	1	Relay	
24	70000323	2	Relay	
25	70002083	1	Bracket, Solenoid/Relay	
26	70000324	1	Sensor, Speed (Not Shown - Located Inside Front Cover)	
26	70004265	1	Bracket, Speed Sensor (Not Show - Located Inside Front Cover)	

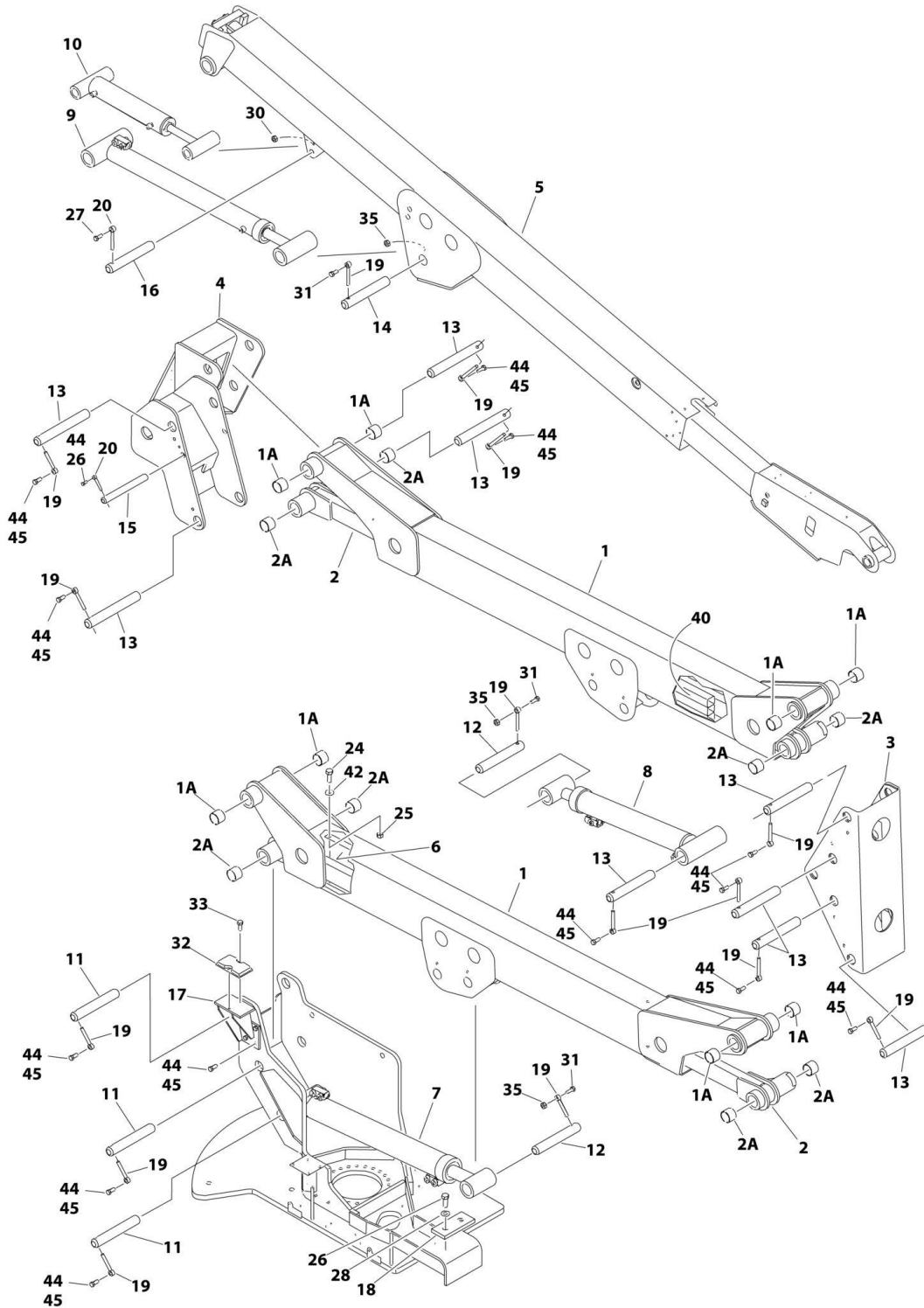
SECTION 3 - ENGINE

ITEM	PART NUMBER	QTY	DESCRIPTION	REV
27	70000325	1	Sensor, Oil Temperature (Not Shown - Located on Opposite Side of Engine Base)	
28	70000326	1	Module, Engine Control	
29	70000327	1	Alternator	
29	70000382	1	Stator, Alternator	
29	70004394	1	Lead, Field Terminal Block Diode	
30	70000328	1	Harness, Generator	
31	70000329	1	Fuse 15Amp (Not Shown)	
32	70000330	1	Fuse 20Amp (Not Shown)	
33	70002543	1	Engine, Kubota (without Generator)	
34	70000289	1	Regulator, Voltage (Not Shown - Located on Opposite Side of Engine)	

SECTION 4 - BOOM

SECTION 4 - BOOM

FIGURE 4-1. BOOM AND CYLINDERS INSTALLATION - E450A



ART_0258691

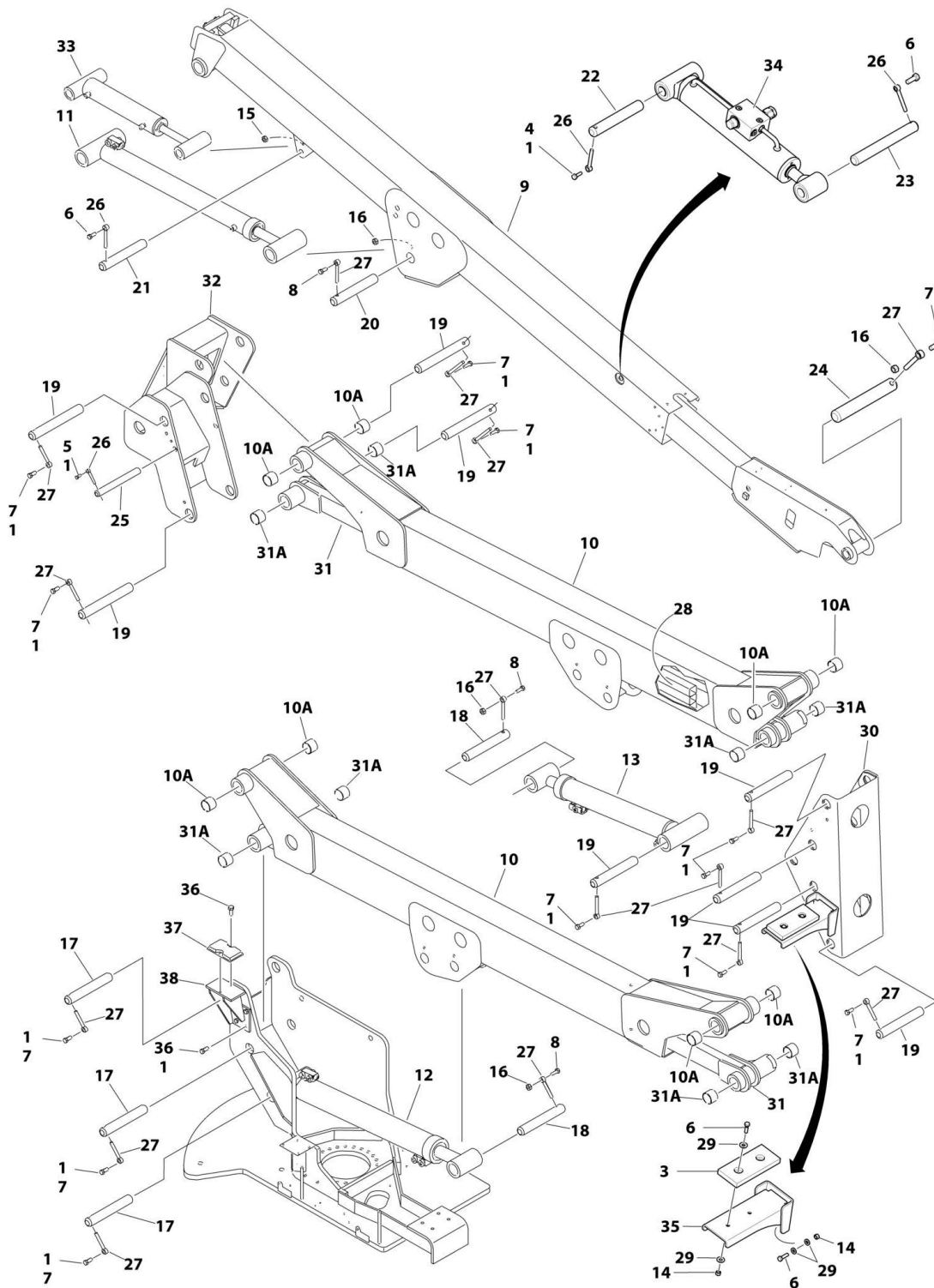
SECTION 4 - BOOM

FIGURE 4-1. BOOM AND CYLINDERS INSTALLATION - E450A

ITEM	PART NUMBER	QTY	DESCRIPTION	REV
	0258691	Ref	BOOM AND CYLINDERS INSTALLATION - E450A	B
1	0801264	2	Boom Assembly - Tower	
1A	0961950	8	Bushing	
2	4846307	2	Level Link	
2A	0961950	8	Bushing	
3	4844427	1	Upright Weldment - Lower	
4	4844304	1	Upright Weldment - Upper	
5	0801169	1	Boom Assembly - Main (See MAIN BOON ASSEMBLY - E450A for Breakdown)	
6	3537045	1	Hose Guard Plate	
7	1684492	1	Lift Cylinder Assembly - Lower (See CYLINDER SECTION for Breakdown)	
8	1684493	1	Lift Cylinder Assembly - Mid (See CYLINDER SECTION for Breakdown)	
9	1684061	1	Lift Cylinder Assembly - Upper (See CYLINDER SECTION for Breakdown)	
10	1001140597	1	Master Cylinder Assembly (See CYLINDER SECTION for Breakdown)	
11	3422175	3	Pin	
12	3422176	2	Pin	
13	3422177	9	Pin	
14	3422178	1	Pin	
15	3422179	1	Pin	
16	3422180	1	Pin	
17	4844467	1	Boom Rest Weldment	
18	0561076	1	Block, Boom Rest	
19	3841203	15	Keeper, Pin - 1/2	
20	3841143	2	Keeper, Pin - 3/8	
24	0641506	4	Bolt, 5/16-18 x 3/4	
25	3311505	4	Nut, Lock, 5/16-18	
26	0641608	3	Bolt, 3/8-16 x 1	
27	0641610	1	Bolt, 3/8-16 x 1-1/4	
28	4751600	2	Washer, 3/8	
30	3311605	1	Nut, Lock, 3/8-16	
31	0641812	3	Bolt, 1/2-13 x 1-1/2	
32	0940048	1	Bumper	
33	0641806	5	Bolt, 1/2-13 x 3/4	
35	3311805	3	Nut, Lock, 1/2-13	
40	4566356	1	Tube	
42	4751500	4	Washer, 5/16	
44	0100011	AR	Compound, Locking	
45	0641810	12	Bolt, 1/2-13 x 1-1/4	

SECTION 4 - BOOM

FIGURE 4-2. BOOM AND CYLINDERS INSTALLATION - E450AJ/M450AJ



ART_1001168673

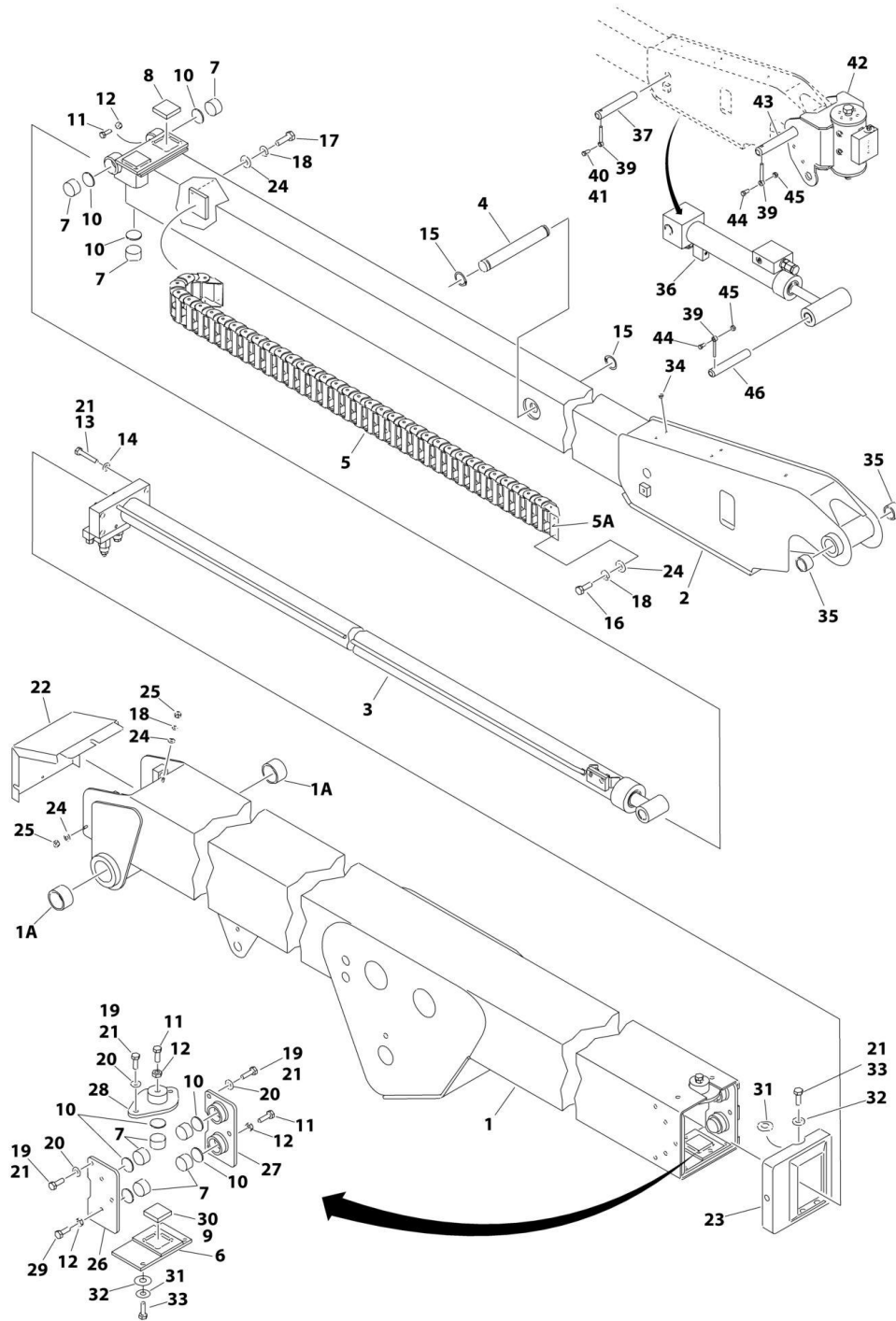
SECTION 4 - BOOM

FIGURE 4-2. BOOM AND CYLINDERS INSTALLATION - E450AJ/M450AJ

ITEM	PART NUMBER	QTY	DESCRIPTION	REV
	1001168673	Ref	BOOM AND CYLINDERS INSTALLATION - E450AJ/M450AJ	C
1	0100011	AR	Compound, Locking	
3	0561076	1	Block, Boom Rest	
4	0641607	1	Bolt, 3/8-16 X 7/8	
5	0641608	1	Bolt, 3/8-16 X 1	
6	0641610	8	Bolt, 3/8-16 X 1-1/4	
7	0641810	13	Bolt, 1/2-13 X 1-1/4	
8	0641812	3	Bolt, 1/2-13 X 1-1/2	
9	0801179	1	Boom Assembly - Main (See MAIN BOOM ASSEMBLY - E450AJ/M450AJ for Breakdown)	
10	0801264	2	Boom Assembly - Tower	
10A	0961950	8	Bushing	
11	1683945	1	Lift Cylinder Assembly - Upper (See CYLINDER SECTION for Breakdown)	
12	1684451	1	Lift Cylinder Assembly - Lower (See CYLINDER SECTION for Breakdown)	
13	1684452	1	Lift Cylinder Assembly - Mid (See CYLINDER SECTION for Breakdown)	
14	3311601	6	Nut, 3/8-16	
15	3311605	1	Nut, Lock, 3/8-16	
16	3311805	4	Nut, Lock, 1/2-13	
17	3422175	3	Pin	
18	3422176	2	Pin	
19	3422177	9	Pin	
20	3422178	1	Pin	
21	3422582	1	Pin	
22	3422669	1	Pin	
23	3422792	1	Pin	
24	3422793	1	Pin	
25	3422806	1	Pin	
26	3841143	4	Keeper, 3/8	
27	3841203	16	Keeper, 1/2	
28	4566356	1	Tube	
29	4751600	12	Washer, 3/8 (Not Shown - Located on Platform Support)	
30	4844427	1	Upright Weldment - Lower	
31	4846307	2	Level Link	
31A	0961950	8	Bushing	
32	4846026	1	Upright Weldment - Upper	
33	1001140278	1	Master Cylinder Assembly (See CYLINDER SECTION for Breakdown)	
34	1001140279	1	Platform Level Cylinder (See CYLINDER SECTION for Breakdown)	
35	1001177483	1	Support, Boom Rest	
36	0641806	5	Bolt, 1/2-13 X 3/4	
37	0940048	1	Bumper	
38	4844467	1	Boom Rest Weldment	

SECTION 4 - BOOM

FIGURE 4-3. MAIN BOOM ASSEMBLY - E450A



ART_0801169

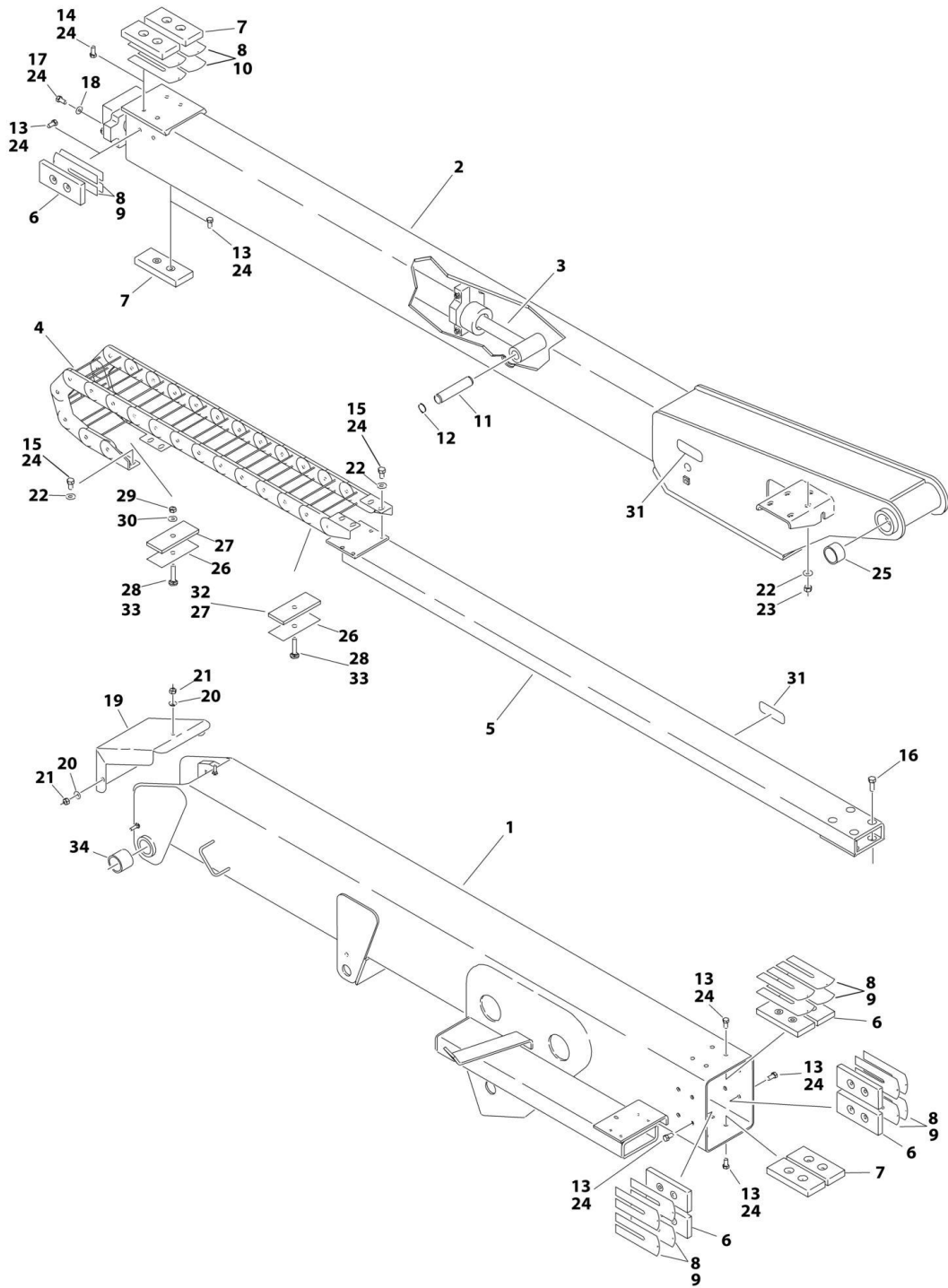
SECTION 4 - BOOM

FIGURE 4-3. MAIN BOOM ASSEMBLY - E450A

ITEM	PART NUMBER	QTY	DESCRIPTION	REV
	0801169	Ref	MAIN BOOM ASSEMBLY - E450A	D
1	0801261	1	Base Weldment	
1A	0961950	2	Bushing	
2	0801154	1	Fly Weldment	
3	1001151414	1	Telescope Cylinder Assembly (See CYLINDER SECTION for Breakdown)	
4	3422901	1	Pin	
5	1180302	1	Powertrack Assembly	
5	7019698	1	Link, Repair	
5A	7019699	1	Feet, Mounting	
6	4844579	1	Holder, Ware Pad	
7	3340663	8	Pad, Ware	
8	3340820	2	Pad, Ware	
9	3340682	1	Pad, Wear	
10	1760160	8	Disc	
11	0630487	6	Bolt, Special 3/8-16 x 1-3/8	
12	3311602	8	Nut, Jam, 3/8-16	
13	0641818	4	Bolt, 1/2-13 x 2-1/4	
14	4761800	4	Washer, Lock, 1/2	
15	3760115	2	Snap, Ring	
16	0641405	2	Bolt, 1/4-20 x 5/8	
17	0641404	2	Bolt, 1/4-20 x 1/2	
18	4761400	7	Washer, Lock, 1/4	
19	0641606	7	Bolt, 3/8-16 x 3/4	
20	4761600	7	Washer, Lock, 3/8	
21	0100011	AR	Compound, Locking	
22	1670679	1	Cover, Boom	
23	1670698	1	Cover, Boom	
24	4751400	7	Washer, 1/4	
25	3311401	3	Nut, 1/4-20	
26	1220038	1	Holder, Ware Pad	
27	1220039	1	Holder, Ware Pad	
28	1220040	1	Holder, Ware Pad	
29	0630399	2	Bolt, Special, 3/8-16 X 2-1/4	
30	0100009	AR	Silicone	
31	4740413	5	Washer, Spacer	
32	4751600	5	Washer, 3/8	
33	0641608	5	Bolt, 3/8-16 x 1	
34	3520034	4	Plug, Hole	
35	0961951	2	Bearing	
36	1001140598	1	Cylinder Assembly (See CYLINDER SECTION for Breakdown)	
37	3422181	1	Shaft, Pin	
39	3841143	3	Keeper, 3/8	
40	0641607	1	Bolt, 3/8-16 x 7/8	
41	0100011	AR	Compound, Locking	
42	0060052	1	Rotator Assembly (See ROTATOR ASSEMBLY for Breakdown)	
43	3422709	1	Shaft, Pin	
44	0641608	2	Bolt, 3/8-16 x 1	
45	3311605	2	Nut, Lock, 3/8-16	
46	3422180	1	Shaft, Pin	

SECTION 4 - BOOM

FIGURE 4-4. MANI BOOM ASSEMBLY - E450AJ/M450AJ



ART_0801197

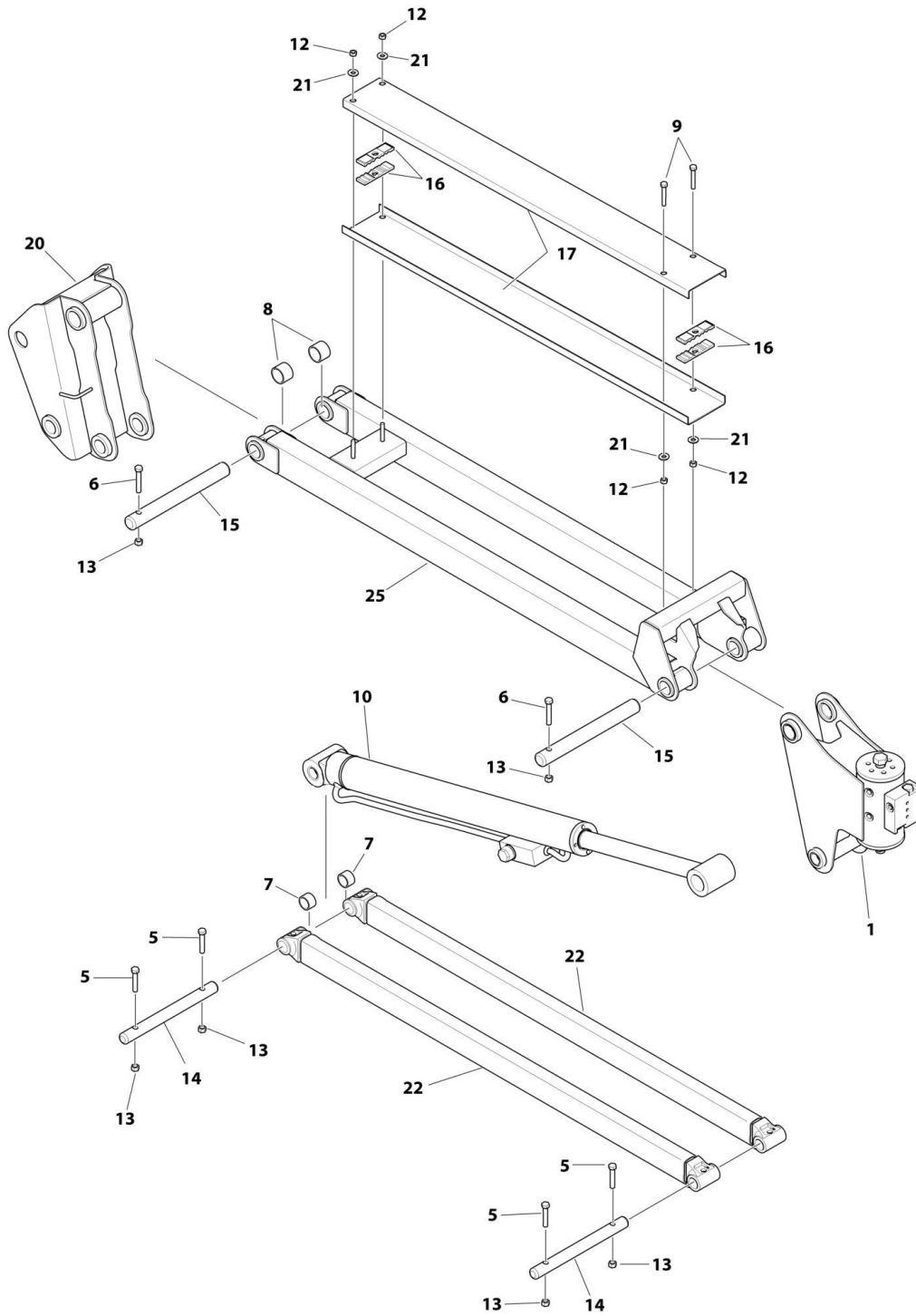
SECTION 4 - BOOM

FIGURE 4-4. MANI BOOM ASSEMBLY - E450AJ/M450AJ

ITEM	PART NUMBER	QTY	DESCRIPTION	REV
	0801197	Ref	MAIN BOOM ASSEMBLY - E450AJ/M450AJ	J
1	0801260	1	Base, Weldment	
2	0801192	1	Fly, Weldment	
3	1001151368	1	Telescope Cylinder Assembly (See CYLINDER SECTION for Breakdown)	
4	1001099833	1	Powertrack Assembly	
4	70001996	1	Repair Section - 2ft. (Includes 4 links, 10 pins, 10 washers, 10 snap rings, 2 rod carriers and 4 self-tapping screws)	
4	70001998	1	Bracket Kit (Includes 2 left and 2 right mounting feet, 4 center pins, 4 center pin snap rings, 8 pins for bracket lockout, 8 washers and 8 snap rings)	
5	4846033	1	Pushtube, Weldment	
6	3340881	8	Pad, Ware	
7	3340837	5	Pad, Ware	
8	4070897	10	Shim, 18 Gauge	
9	4070898	8	Shim, 11 Gauge	
10	4070982	2	Shim, 16 Gauge	
11	3422804	1	Pin	
12	3760115	2	Ring, Snap	
13	0641606	22	Bolt, 3/8-16 x 3/4	
14	0641607	4	Bolt, 3/8-16 x 7/8	
15	0641605	8	Bolt, 3/8-16 x 5/8	
16	0641608	4	Bolt, 3/8-16 x 1	
17	0641818	4	Bolt, 1/2-13 x 2-1/4	
18	4761800	4	Washer, Lock, 1/2	
19	1670679	1	Cover, Boom	
20	4761400	3	Washer, Lock, 1/4	
21	3311401	3	Nut, 1/4-20	
22	4711600	12	Washer, 3/8	
23	3311605	4	Nut, Lock, 3/8-16	
24	0100011	AR	Compound, Locking	
25	0961948	2	Bearing	
26	1001106757	3	Plate, Clamp	
27	3340939	2	Pad, Rubber	
28	0630401	2	Bolt, Carriage, 5/16-18 x 2	
29	3311505	2	Nut, Lock 5/16-18	
30	4711500	2	Washer, 5/16	
31	4060804	15	Flex-Trim	
		in/38cm		
32	0100081	AR	Adhesive	
33	1001119228	1	Push Nut, M8	
34	0961950	2	Bushing	

SECTION 4 - BOOM

FIGURE 4-5. JIB INSTALLATION



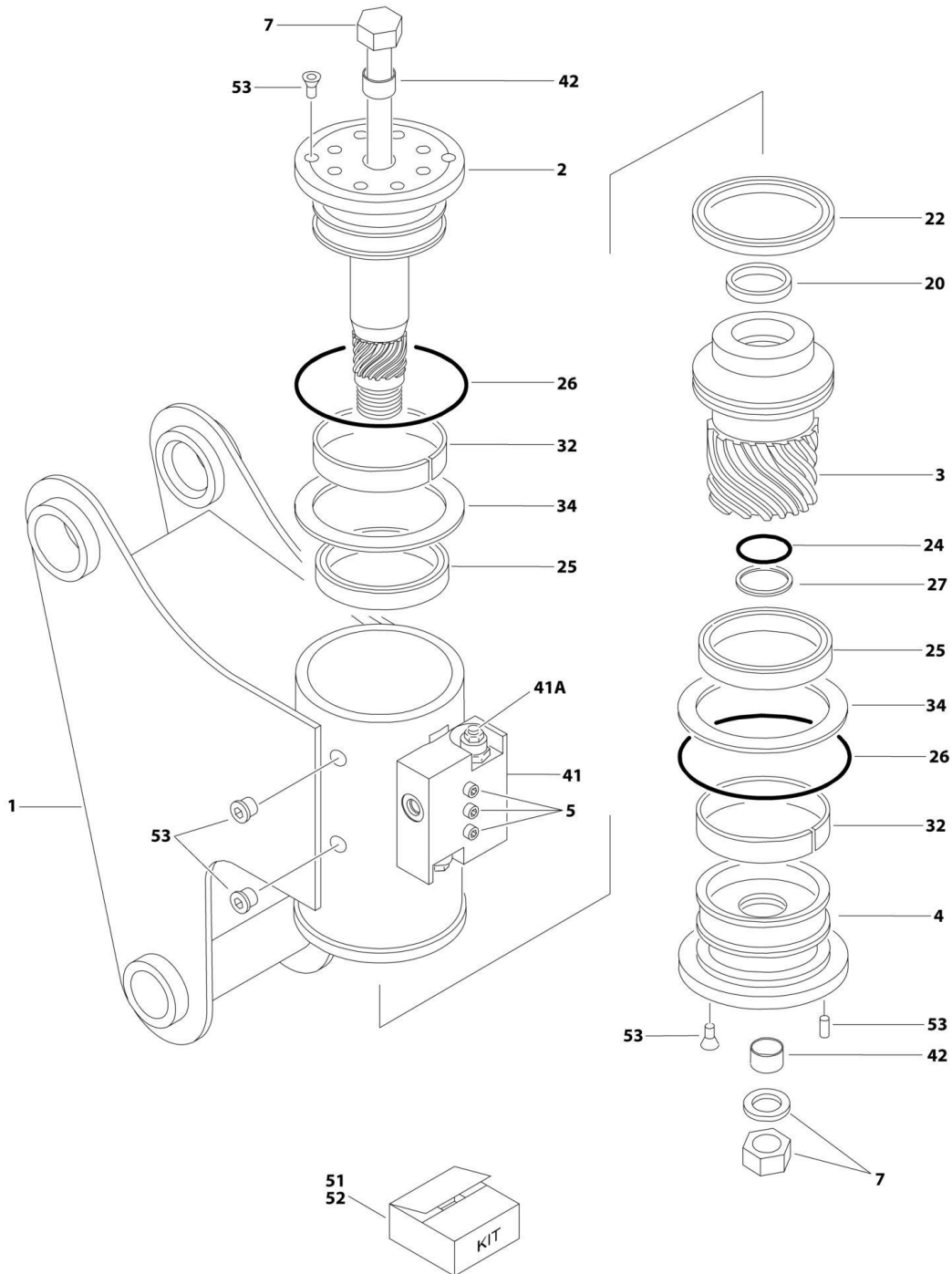
ART_0270400

FIGURE 4-5. JIB INSTALLATION

ITEM	PART NUMBER	QTY	DESCRIPTION	REV
	0270400	Ref	JIB ASSEMBLY	F
1	0060044	1	Rotator Assembly (See ROTATOR ASSEMBLY for Breakdown)	
5	0641616	4	Bolt, 3/8-16 X 2	
6	0641618	2	Bolt, 3/8-16 X 2-1/4	
7	0962292	2	Bushing	
8	0961951	2	Bushing	
9	0641516	2	Bolt, 5/16-18 X 2	
10	1001140280	1	Jib Cylinder Assembly (See CYLINDER SECTION for Breakdown)	
12	3311501	4	Nut, 5/16-18	
13	3311605	6	Nut, Lock, 3/8-16	
14	3422791	2	Pin	
15	3422794	2	Pin	
16	3340860	4	Pad, Rubber	
17	3572551	2	Channel, Hose Carrier	
20	4845925	1	Pivot	
21	4751500	4	Washer, 5/16	
22	1001094670	2	Link - Lower	
25	4846278	1	Link - Upper	

SECTION 4 - BOOM

FIGURE 4-6. ROTATOR ASSEMBLY - E450A



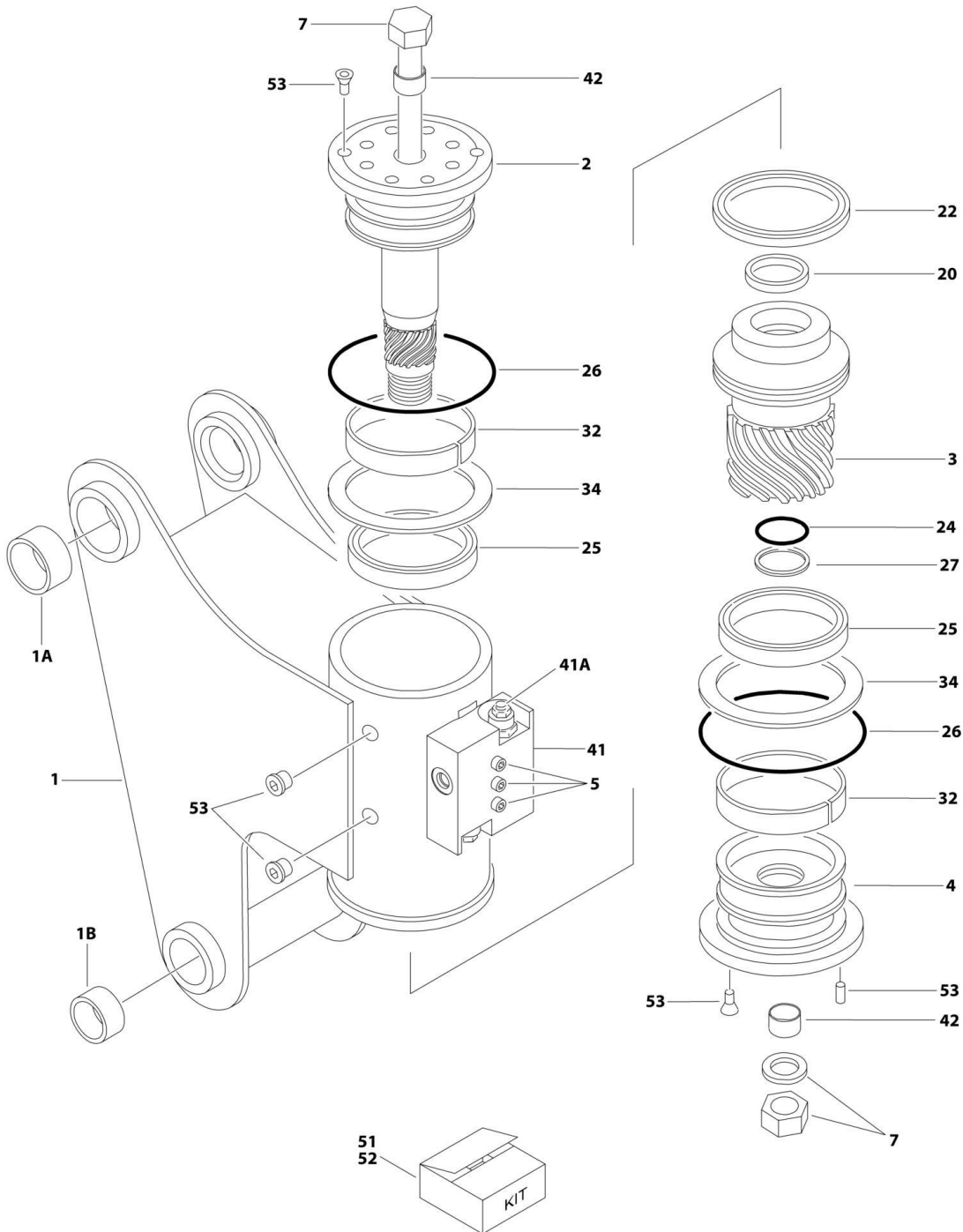
ART_0060052

FIGURE 4-6. ROTATOR ASSEMBLY - E450A

ITEM	PART NUMBER	QTY	DESCRIPTION	REV
	0060052	Ref	ROTATOR ASSEMBLY - E450A	F
1	See Note	1	Case/Bracket Weldment (Note: Not Available - Purchase Complete Assembly)	
2	7017120	1	Shaft (Rotator with Helac Control #26409)	
2	7017196	1	Shaft (Rotator with Helac Control #26966)	
3	7017121	1	Piston Sleeve (Rotator with Helac Control #26409)	
3	7027900	1	Piston Sleeve (Rotator with Helac Control #26966)	
4	7017153	1	Cap, End (Rotator with Helac Control #26409)	
4	7027901	1	Cap, End (Rotator with Helac Control #26966)	
5	See Note	3	Capscrew, 1/4-20, Grade 8 (Note: Not Available - Purchase Locally)	
7	7017126	1	Tie Rod Assembly	
20	See Note	1	Seal, Rod (Note: Use Items 52)	
22	See Note	1	Seal, Piston (Note: Use Item 52)	
24	See Note	1	Seal, Cap (Note: Use Item 52)	
25	See Note	2	Packing, Bearing (Note: Use Item 52)	
26	See Note	2	Seal (Note: Use Item 52)	
27	See Note	1	Ring, Back-Up Cap (Note: Use Item 52)	
32	See Note	2	Bearing, Shaft (Note: Use Item 51)	
34	See Note	2	Washer, Thrust (Note: Use Item 51)	
41	7017172	1	Counterbalance Valve Assembly (Helac p/n 24327, 26553 or 26554 Stamped Beside Mounting Screws)	
41A	7011323	2	Valve, Cartridge (Helac p/n 24327 Valve)	
41A	2900770	2	Seal Kit - 7011323 Cartridge (1 Per Assembly)	
41A	7017192	2	Valve Cartridge (Helac p/n 26553 or 26554) (No Seal Kit Available)	
42	See Note	2	Bushing, Shaft (Note: Not Available for Purchase)	
51	7017122	1	Bearing Kit (Includes Items 32-34)	
52	7017127	1	Seal Kit - Standard (Includes Items 20,22,24,25,26 & 27)	
52	70000341	1	Seal Kit - Low Temperature (Includes Items 20,22,24,25,26 & 27)	
53	7017123	1	Hardware Kit	

SECTION 4 - BOOM

FIGURE 4-7. ROTATOR ASSEMBLY - E450AJ/M450AJ



ART_0060044

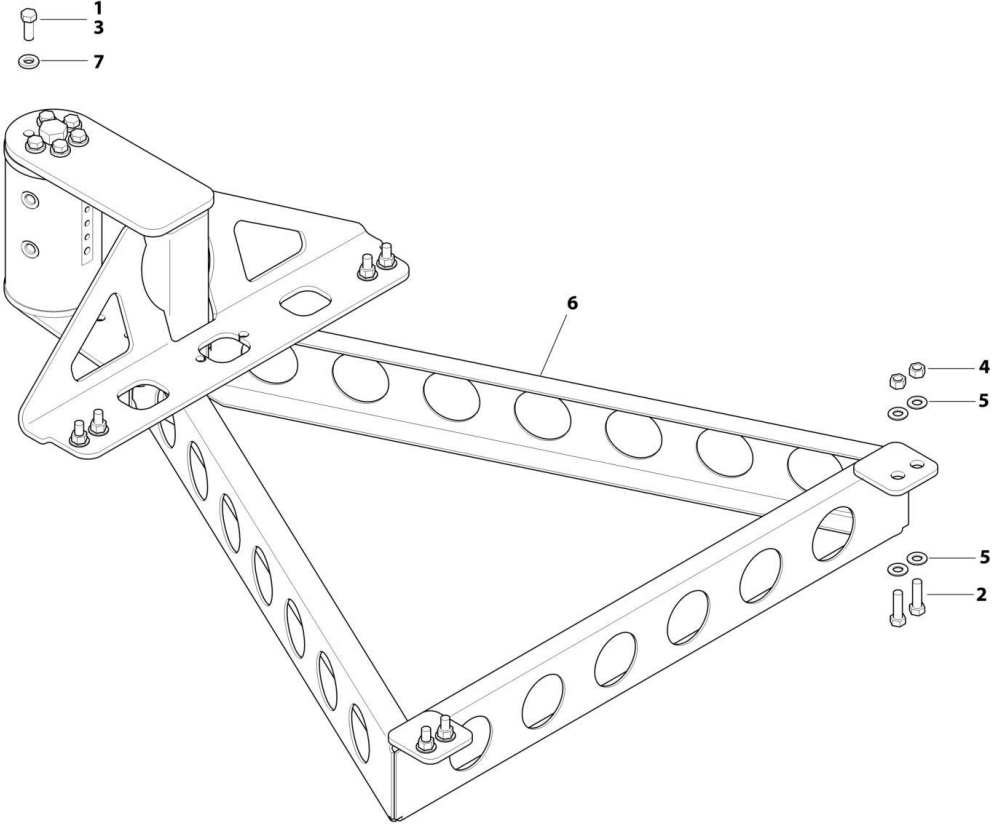
SECTION 4 - BOOM

FIGURE 4-7. ROTATOR ASSEMBLY - E450AJ/M450AJ

ITEM	PART NUMBER	QTY	DESCRIPTION	REV
	0060044	Ref	ROTATOR ASSEMBLY	D
1	See Note	1	Case/Bracket Weldment (Note: Not Available - Purchase Complete Assembly)	
1A	0962257	2	Bushing	
1B	0961947	2	Bushing	
2	7017120	1	Shaft (Rotator with Helac Control #25928)	
2	7017196	1	Shaft (Rotator with Helac Control #26962)	
3	7017121	1	Piston Sleeve (Rotator with Helac Control #25928)	
3	7027900	1	Piston Sleeve (Rotator with Helac Control #26962)	
4	See Note	1	Cap, End (Rotator with Helac Control #25928) (Note: Use p/n 0060044)	
4	7027901	1	Cap, End (Rotator with Helac Control #26962)	
5	See Note	3	Capscrew, 1/4-20, Grade 8 (Note: Not Available - Purchase Locally)	
7	7017126	1	Tie Rod Assembly	
20	See Note	1	Seal, Rod (Note: Use Item 52)	
22	See Note	1	Seal, Piston (Note: Use Item 52)	
24	See Note	1	Seal, Cap (Note: Use Item 52)	
25	See Note	1	Packing, Bearing (Note: Use Item 52)	
26	See Note	2	Seal (Note: Use Item 52)	
27	See Note	1	Ring, Back-Up Cap (Note: Use Item 52)	
32	See Note	2	Bearing, Shaft (Note: Use Item 51)	
34	See Note	2	Washer, Thrust (Note: Use Item 51)	
41	7017172	1	Counterbalance Valve Assembly (Helac p/n 24327, 26553 or 26554 Stamped Beside Mounting Screws)	
41A	7011323	2	Valve, Cartridge (Helac p/n 24327 Valve)	
41A	2900770	2	Seal Kit - 7011323 Cartridge (1 Per Assembly)	
41A	7017192	2	Valve Cartridge (Helac p/n 26553 or 26554) (No Seal Kit Available)	
42	See Note	2	Bushing, Shaft (Note: Not Available for Purchase)	
51	7017122	1	Bearing Kit (Includes Items 32-34)	
52	7017127	1	Seal Kit - Standard (Includes Items 20,22,24,25,26 & 27)	
52	70000341	1	Seal Kit - Low Temperature (Includes Items 20,22,24,25,26 & 27)	
53	7017123	1	Hardware Kit	

SECTION 4 - BOOM

FIGURE 4-8. PLATFORM SUPPORT INSTALLATION



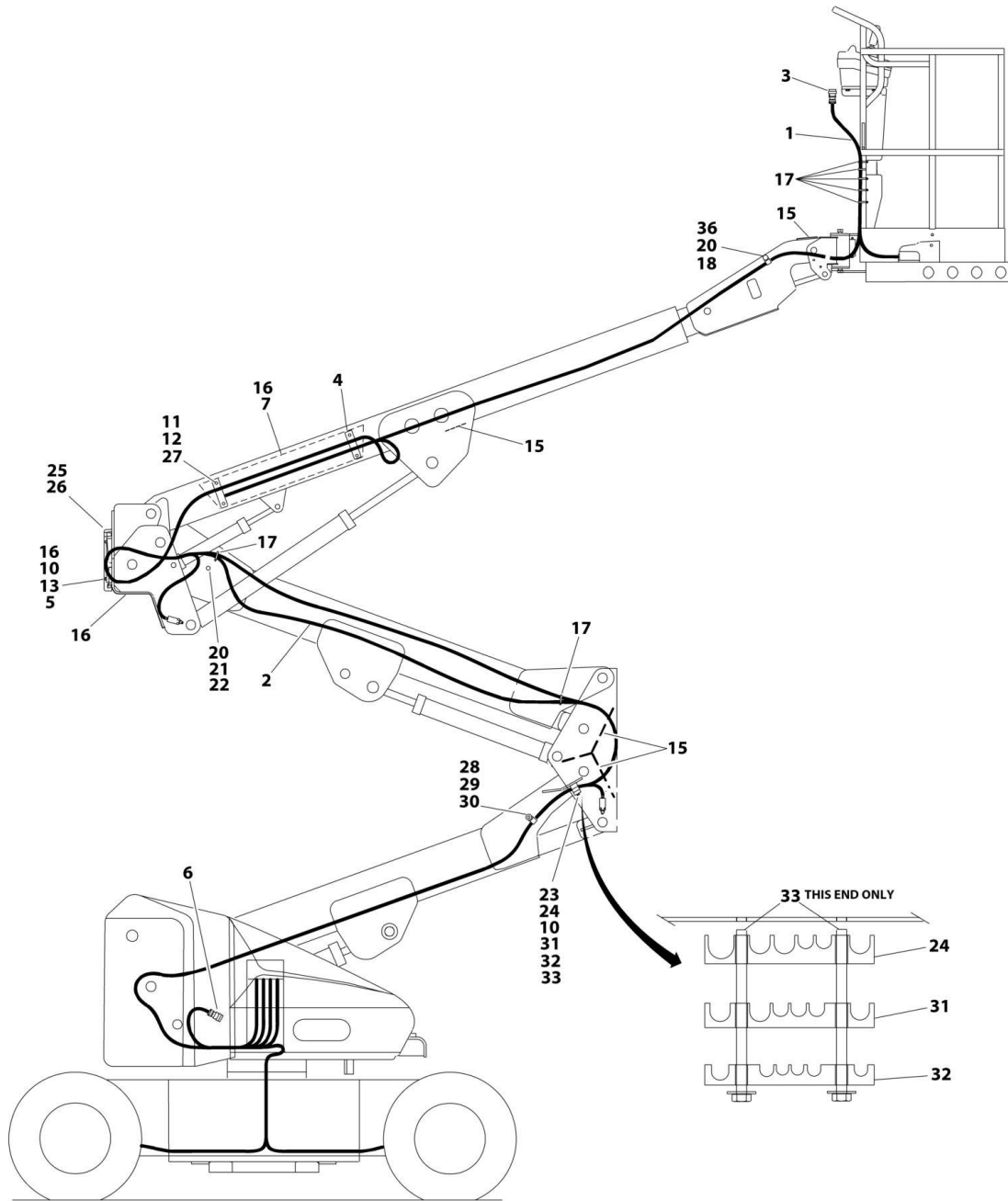
ART_0272976

FIGURE 4-8. PLATFORM SUPPORT INSTALLATION

ITEM	PART NUMBER	QTY	DESCRIPTION	REV
	0272976	Ref	PLATFORM SUPPORT WITHOUT LOAD SENSING	A
	See Note	Ref	PLATFORM SUPPORT WITH LOAD SENSING (Note: Refer to JLG Supplement Manual p/n 3124287 for Components)	
1	0100001	AR	Compound, Locking	
2	0641610	8	Bolt, 3/8-16 x 1-1/4	
3	0681608	6	Bolt, 3/8-16 x 1, Grade 8	
4	3311605	8	Nut, Lock, 3/8-16	
5	4711600	16	Washer, 3/8	
6	4846608	1	Support, Weldment (Without Load Sensing)	
6	See Note	1	Support, Weldment (With Load Sensing) (Note: See Note Above)	
7	4891600	6	Washer, 3/8	

SECTION 4 - BOOM

FIGURE 4-9. CABLES AND CLAMPS INSTALLATION - E450A



ART_0257735

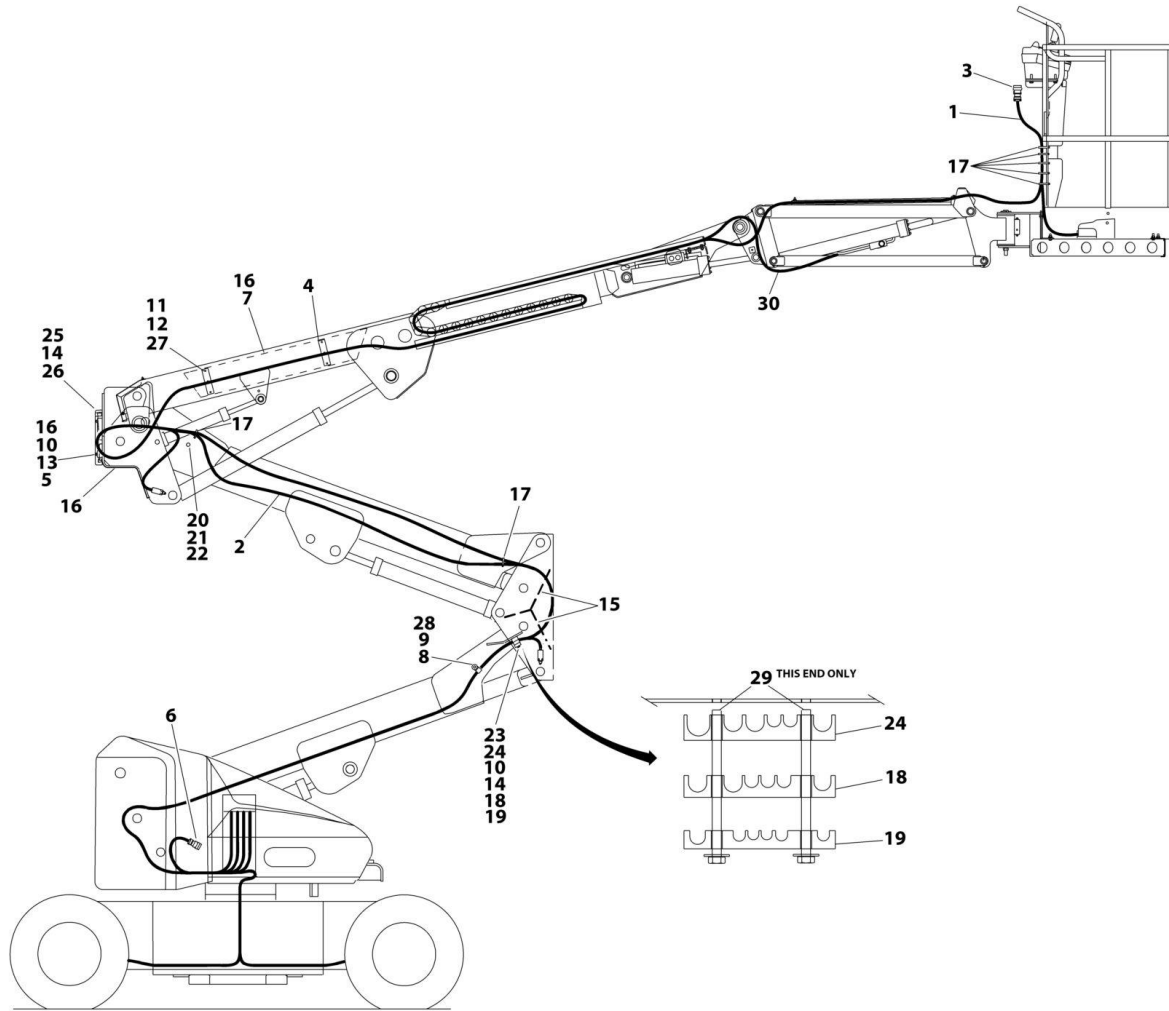
SECTION 4 - BOOM

FIGURE 4-9. CABLES AND CLAMPS INSTALLATION - E450A

ITEM	PART NUMBER	QTY	DESCRIPTION	REV
	0257735	Ref	CABLES AND CLAMPS INSTALLATION - E450A	H
1	4922178	1	Harness Assembly - Upper Boom (See ELECTRICAL SECTION for Breakdown)	
2	4922179	1	Harness Assembly - Lower Boom (See ELECTRICAL SECTION for Breakdown)	
3	4460754	1	Connector	
4	1320260	2	Block, Hose Clamp	
5	0561317	1	Block, Hose Clamp	
6	4460753	1	Connector	
7	3536999	1	Shield	
10	4751500	5	Washer, 5/16	
11	4751400	12	Washer, 1/4	
12	3311401	6	Nut, 1/4-20	
13	0641514	3	Bolt, 5/16-18 x 1-3/4	
14	0100011	AR	Compound, Locking (Not Shown)	
15	4060805	4	Trim, Flex	
16	4060808	8	Trim, Flex	
17	4240099	26	Tie, Strap	
18	0641516	1	Bolt, 5/16-18 x 2	
20	3311505	2	Nut, Lock, 5/16-18	
21	4566243	1	Roller	
22	0641560	1	Bolt, 5/16-18 x 7-1/2	
23	4300140	2	Stud, 5/16-18 x 3-5/8	
24	0561384	1	Block, Hose Clamp	
25	1670697	1	Cover, Hose	
26	0630467	4	Capscrew, Button 5-16-18 x 1/2	
27	3300151	6	Nut, 1/4-20	
28	1320043	1	Clamp, Cable	
29	0641410	1	Bolt, 1/4-20 x 1-1/4	
30	3311405	1	Nut, Lock, 1/4-20	
31	0561385	1	Block, Hose Clamp	
32	0561386	1	Block, Hose Clamp	
33	0100019	1	Compound, Locking	
36	0561424	1	Block, Hose Clamp	

SECTION 4 - BOOM

FIGURE 4-10. CABLES AND CLAMPS INSTALLATION- E450AJ/M450AJ



ART_0259367

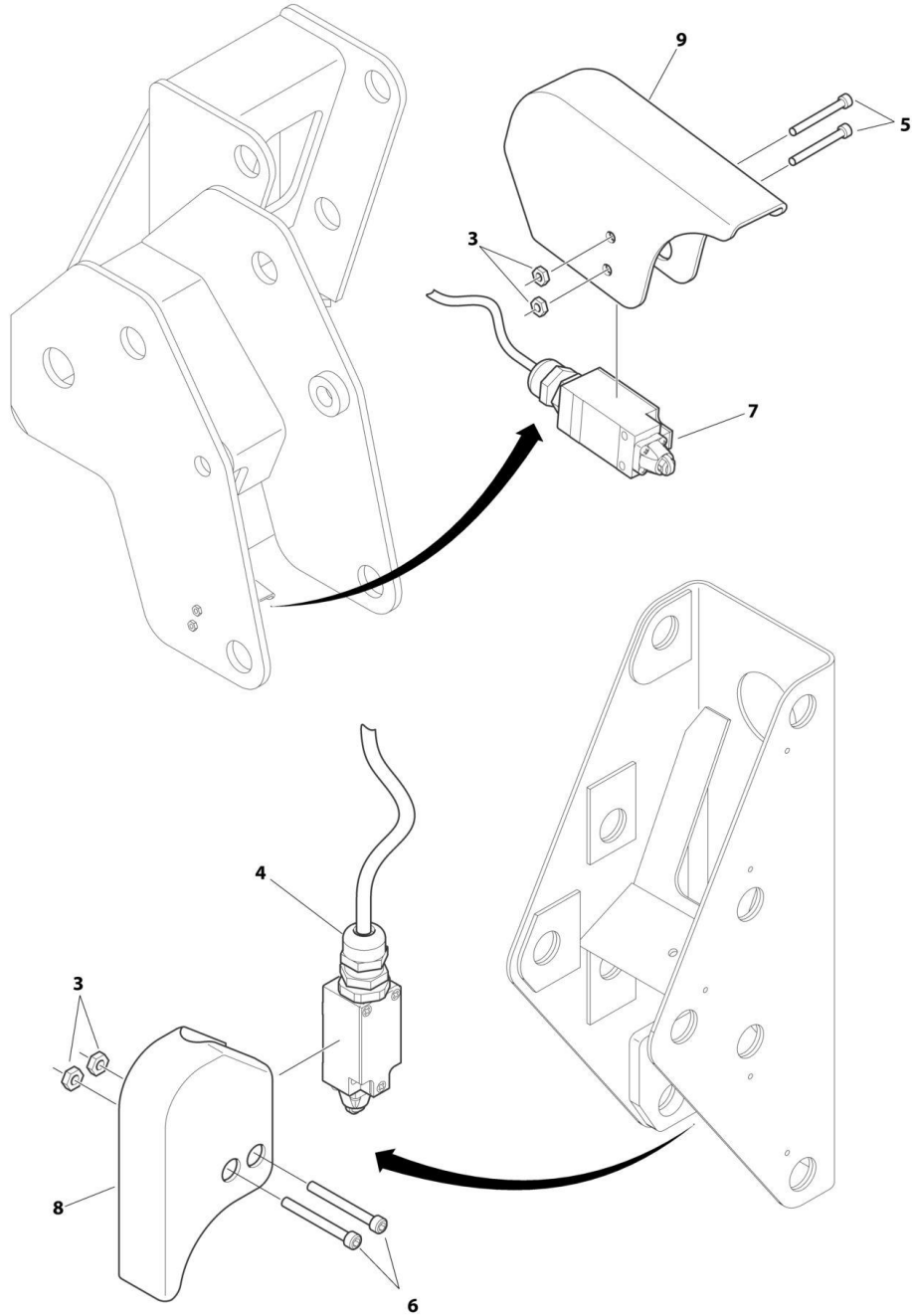
SECTION 4 - BOOM

FIGURE 4-10. CABLES AND CLAMPS INSTALLATION- E450AJ/M450AJ

ITEM	PART NUMBER	QTY	DESCRIPTION	REV
	0259367	Ref	CABLES AND CLAMPS INSTALLATION - E450AJ/M450AJ	E
1	4922552	1	Harness Assembly - Upper Boom	
2	4922179	1	Harness Assembly - Lower Boom	
3	4460754	1	Connector	
4	1320260	2	Block, Hose Clamp	
5	0561317	1	Block, Hose Clamp	
6	4460753	1	Connector	
7	3571462	1	Shield	
8	0641410	1	Bolt, 1/4-20 x 1-1/4	
9	3311405	1	Nut, Lock, 1/4-20	
10	4751500	5	Washer, 5/16	
11	4751400	12	Washer, 1/4	
12	3311401	6	Nut, 1/4-20	
13	0641514	3	Bolt, 5/16-18 x 1-3/4	
14	0100011	AR	Compound, Locking	
15	4060805	1	Trim, 1/4	
16	4060808	8	Trim, 1/2	
17	4240099	26	Tie-Strap	
18	0561385	1	Block, Hose Clamp	
19	0561386	1	Block, Hose Clamp	
20	3311505	1	Nut, Lock, 5/16-18	
21	4566243	1	Roller	
22	0641560	1	Bolt, 5/16-18 x 7-1/2	
23	4300140	2	Stud, Weld, 5/16-18 x 3-5/8	
24	0561384	1	Block, Hose Clamp	
25	1670697	1	Cover, Hose	
26	0630467	4	Capscrew, Button, 5-16-18 x 1/2	
27	3300151	6	Nut, Acorn, 1/4-20	
28	1320043	1	Clamp, Cable	
29	0100019	AR	Compound, Locking	
30	4100067	1	Sleeve	

SECTION 4 - BOOM

FIGURE 4-11. LIMIT SWITCHES INSTALLATION



ART_0271493

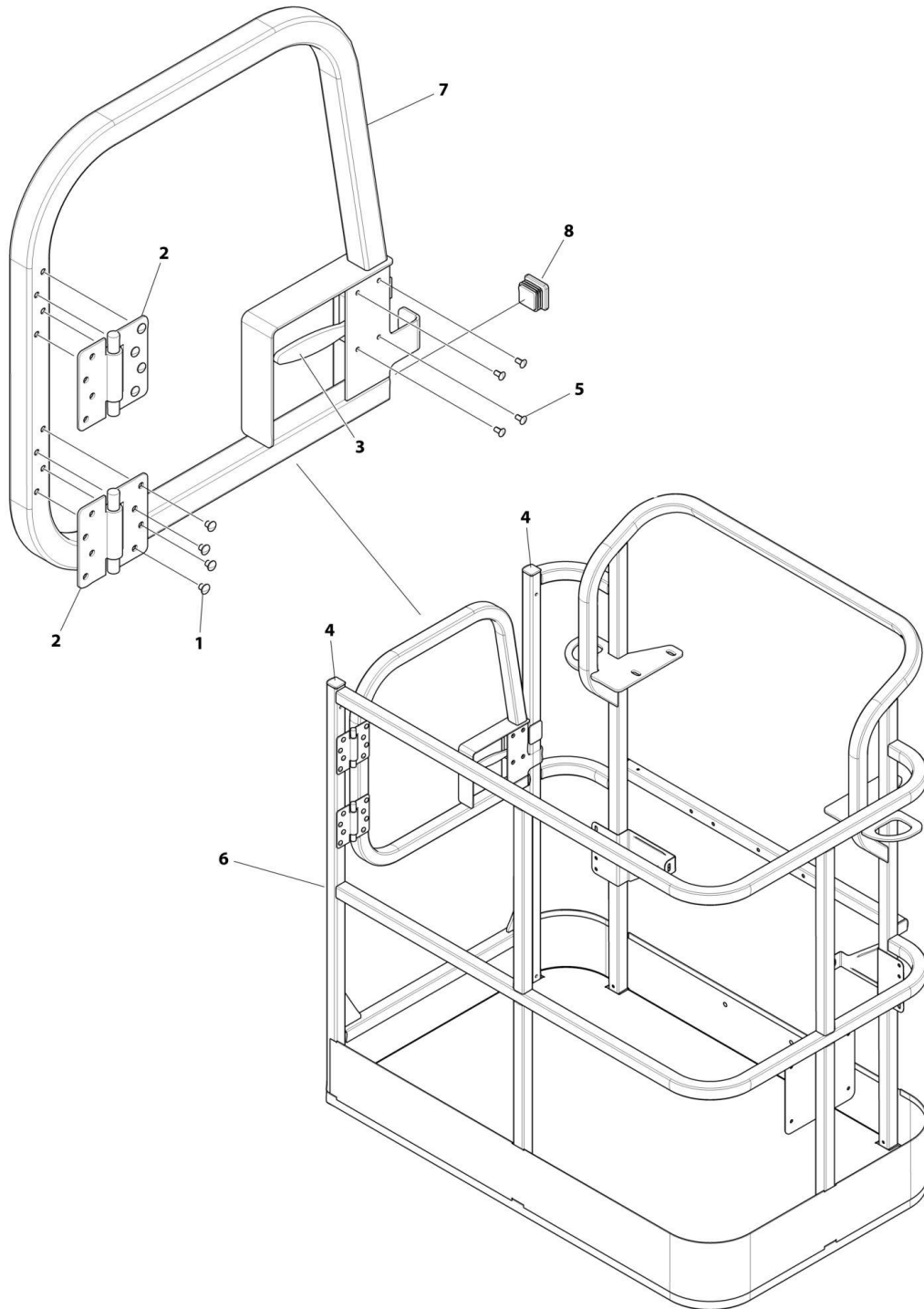
FIGURE 4-11. LIMIT SWITCHES INSTALLATION

ITEM	PART NUMBER	QTY	DESCRIPTION	REV
	0271493	Ref	BOOM LIMIT SWITCHES INSTALLATION	2
3	3311005	4	Nut, Lock, #10-24	
4	4922614	1	Limit Switch Harness - Lower (Includes Limit Switch) (See ELECTRICAL SECTION for Breakdown)	
5	3931028	2	Screw, #10-24 x 1-3/4	
6	3900104	2	Screw, Fillister Head, #10-24 x 2-1/4	
7	4922613	1	Limit Switch Harness - Upper (Includes Limit Switch) (See ELECTRICAL SECTION for Breakdown)	
8	1670832	1	Cover, Switch - Lower	
9	1670833	1	Cover, Switch - Upper	

SECTION 5 - PLATFORM

SECTION 5 - PLATFORM

FIGURE 5-1. PLATFORM ASSEMBLY - 4FT/1.22M - SIDE GATE ENTRY



ART_1001144027

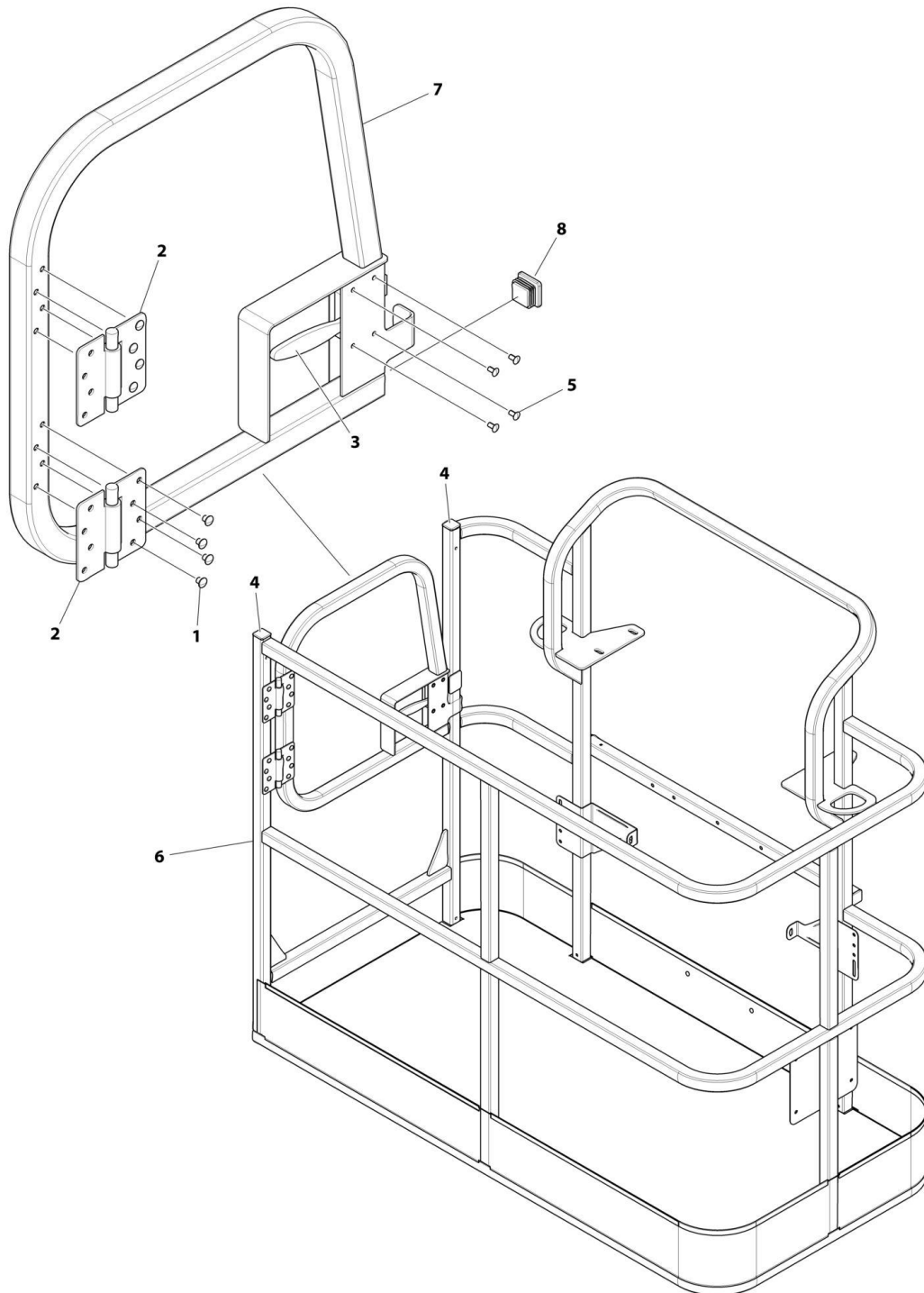
SECTION 5 - PLATFORM

FIGURE 5-1. PLATFORM ASSEMBLY - 4FT/1.22M - SIDE GATE ENTRY

ITEM	PART NUMBER	QTY	DESCRIPTION	REV
	1001144027	Ref	PLATFORM ASSEMBLY - 4ft/1.22m	C
		Ref	Note: Platform and Mesh must be ordered separately for Platforms with Mesh. See SPECTIAL OPTIONS SECTION for Mesh Installations.	
		Ref	Note: Replacement Decals Must be Ordered Separately - See DECALS SECTION	
1	2080040	16	Fastener, Huck	
2	2600281	2	Hinge, Self-Closing	
3	2940074	1	Latch	
4	3520198	2	Plug, Cap	
5	3820020	4	Rivet	
6	See Note	1	Platform, Weldment (Note: Not Available - Purchase Platform Assembly)	
7	1001144629	1	Gate, Weldment	
8	3520072	3	Plug, Cap	

SECTION 5 - PLATFORM

FIGURE 5-2. PLATFORM ASSEMBLY - 5FT/1.52M - SIDE GATE ENTRY



ART_1001144026

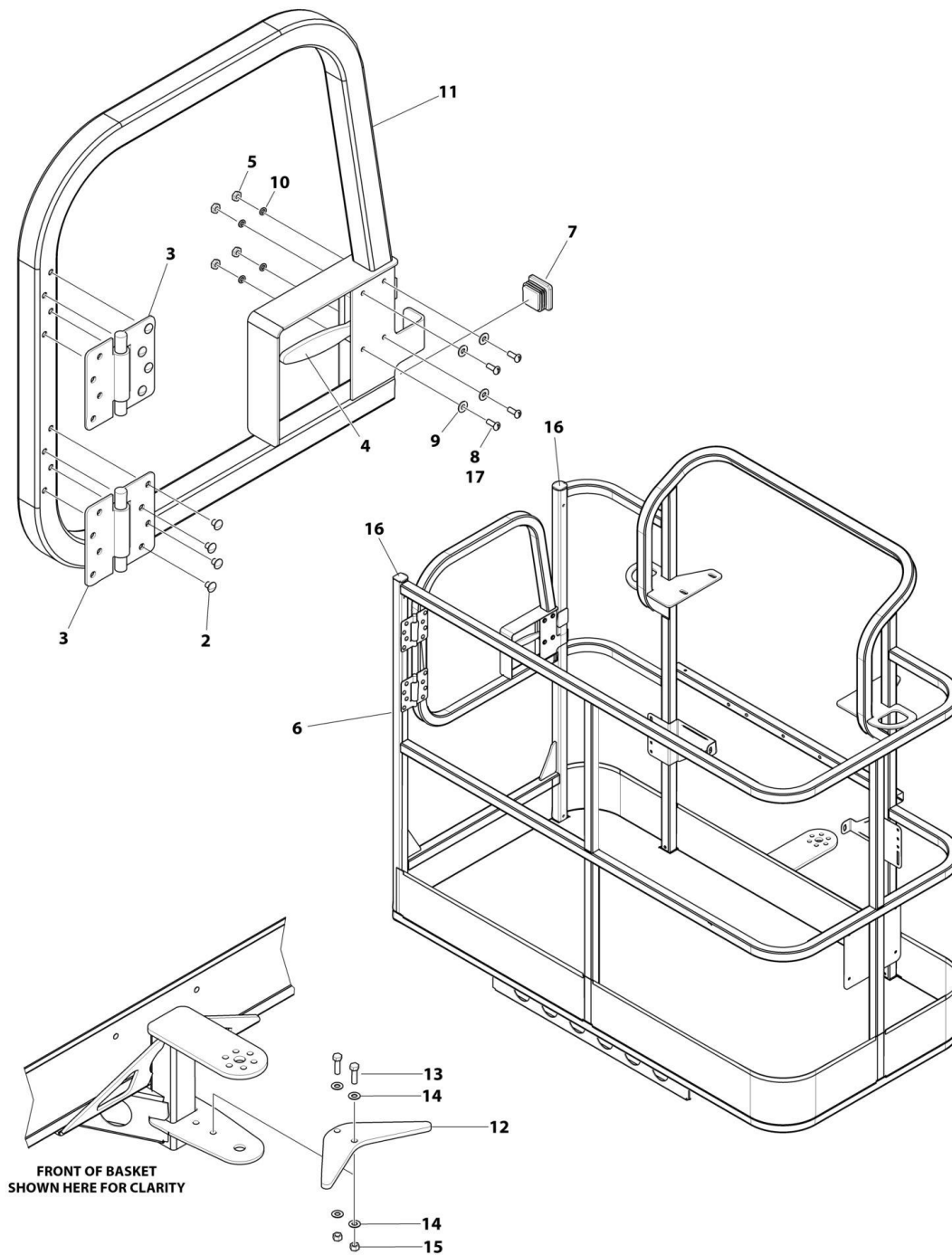
SECTION 5 - PLATFORM

FIGURE 5-2. PLATFORM ASSEMBLY - 5FT/1.52M - SIDE GATE ENTRY

ITEM	PART NUMBER	QTY	DESCRIPTION	REV
	1001144026	1	PLATFORM ASSEMBLY - 5ft/1.52m - SIDE GATE ENTRY	
		Ref	Note: Platform and Mesh must be ordered separately for Platforms with Mesh. See SPECTIAL OPTIONS SECTION for Mesh Installations.	
		Ref	Note: Replacement Decals Must be Ordered Separately - See DECALS SECTION	
1	2080040	16	Fastener, Huck	
2	2600281	2	Hinge, Self-Closing	
3	2940074	1	Latch	
4	3520198	2	Plug, Cap	
5	3820020	4	Rivet	
6	See Note	1	Platform, Weldment (Note: Not Available - Purchase Platform Assembly)	
7	1001144629	1	Gate, Weldment	
8	3520072	3	Plug, Cap	

SECTION 5 - PLATFORM

FIGURE 5-3. PLATFORM ASSEMBLY - 5FT/1.52M - SIDE GATE ENTRY - W/STOP



ART_3510844

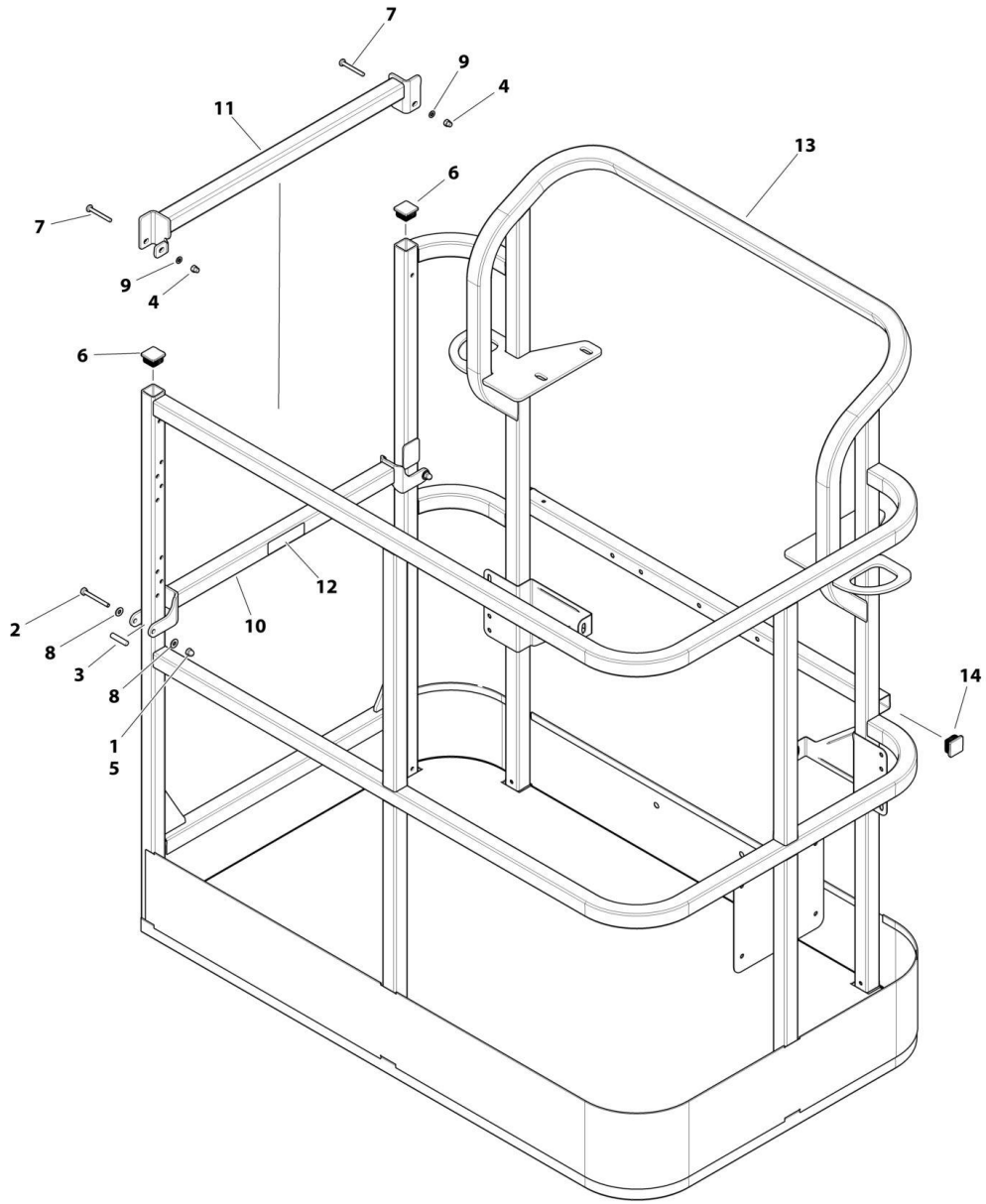
SECTION 5 - PLATFORM

FIGURE 5-3. PLATFORM ASSEMBLY - 5FT/1.52M - SIDE GATE ENTRY - W/STOP

ITEM	PART NUMBER	QTY	DESCRIPTION	REV
	3510844	Ref	PLATFORM ASSEMBLY - 5ft/1.52m - W/STOP	E
		Ref	Note: Platform and Mesh must be ordered separately for Platforms with Mesh. See SPECTIAL OPTIONS SECTION for Mesh Installations.	
		Ref	Note: Replacement Decals Must be Ordered Separately - See DECAL SECTION.	
2	2080040	16	Fastener, Huck	
3	2600281	2	Hinge, Self-Closing	
4	2940074	1	Latch	
5	3311001	4	Nut #10-24	
6	See Note	1	Platform Weldment (Note: Not Available - Purchase Platform Assembly)	
7	1001144630	1	Cap-Plug	
8	3911008	4	Screw #10-24 x 1	
9	4751000	4	Washer, #10	
10	4761000	4	Washer, Locking #10	
11	1001144629	1	Gate Weldment	
12	3572413	1	Stop	
13	0641610	2	Bolt 3/8-16 x 1-1/4	
14	4711600	4	Washer, 3/8	
15	3311605	2	Nut, Lock, 3/8-16	
16	3520198	2	Cap-Plug	
17	0100011	AR	Compound, Locking	

SECTION 5 - PLATFORM

FIGURE 5-4. PLATFORM ASSEMBLY - 4FT/1.22M - DROP BAR ENTRY



ART_1001144018

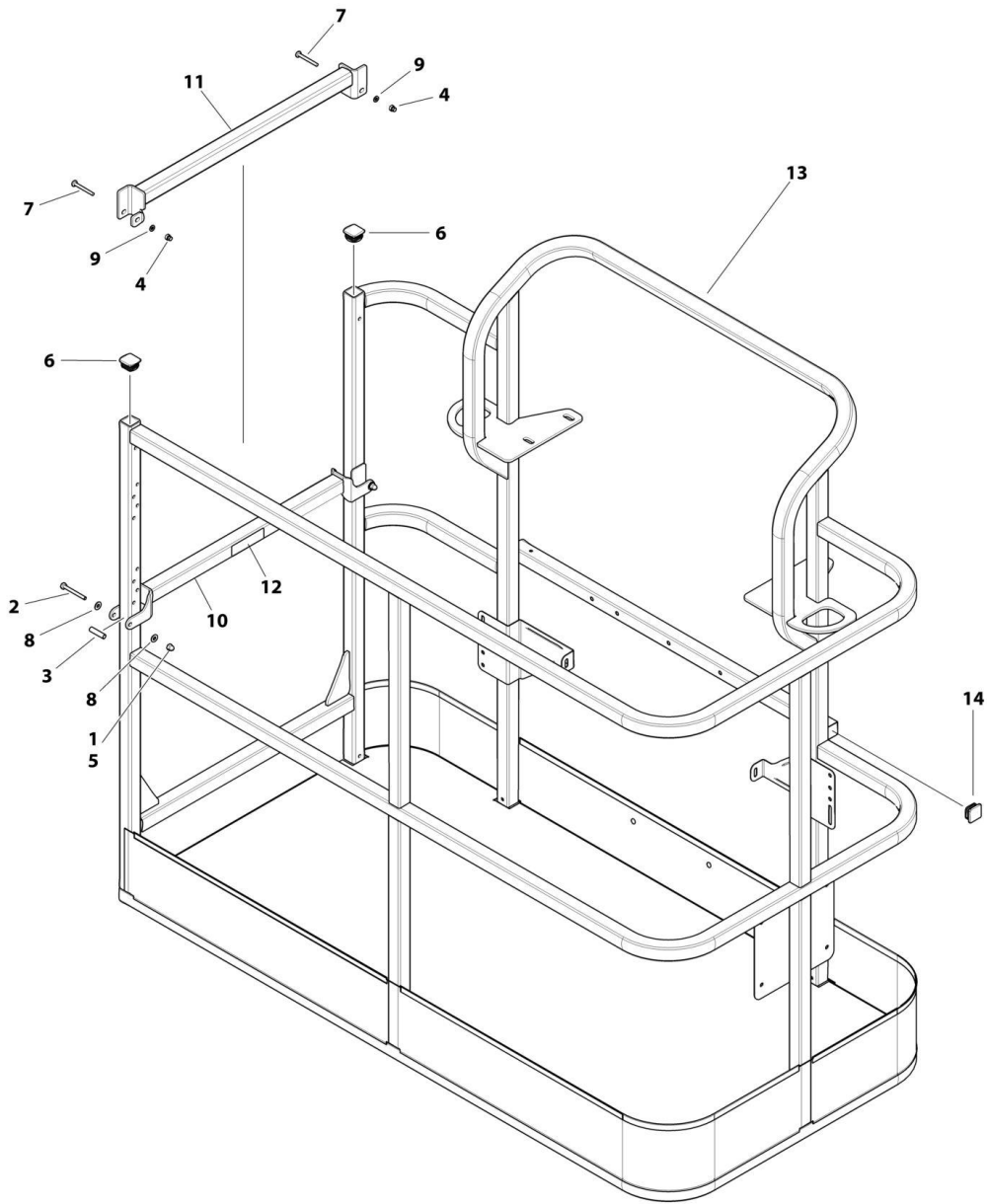
SECTION 5 - PLATFORM

FIGURE 5-4. PLATFORM ASSEMBLY - 4FT/1.22M - DROP BAR ENTRY

ITEM	PART NUMBER	QTY	DESCRIPTION	REV
	1001144018	Ref	PLATFORM ASSEMBLY - 4ft/1.22m - DROP BAR ENTRY	C
		Ref	Note: Replacement Decals Must be Ordered Separately - See DECALS SECTION	
1	0100011	AR	Compound, Locking	
2	0641418	2	Bolt, 1/4-20 X 2-1/4	
3	0961845	2	Bushing	
4	3290606	2	Nut, M6	
5	3300151	2	Nut, Acorn, 1/4-20	
6	3520198	2	Plug, Cap	
7	4010618	2	Screw, M6 X 50	
8	4711400	4	Washer, 1/4	
9	4811700	2	Washer, M6	
10	1001138494	1	Bar, Drop	
11	1001138514	1	Rail - Top	
12	1001140429	1	Decal - Drop Bar	
13	See Note	1	Platform, Weldment (Note: Not Available - Purchase Platform Assembly)	
14	3520072	2	Plug, Cap	

SECTION 5 - PLATFORM

FIGURE 5-5. PLATFORM ASSEMBLY - 5FT/1.52M - DROP BAR ENTRY



ART_1001144019

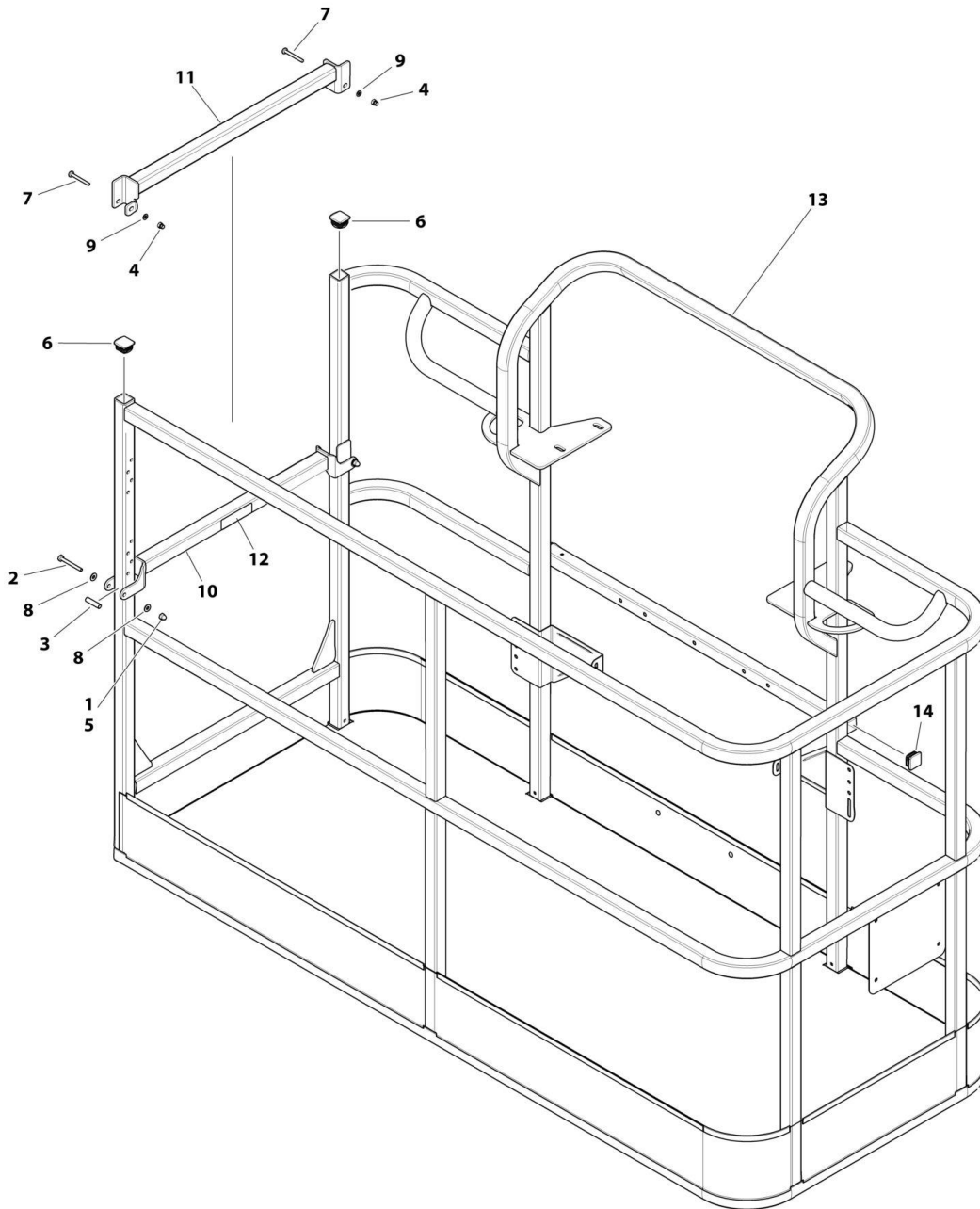
SECTION 5 - PLATFORM

FIGURE 5-5. PLATFORM ASSEMBLY - 5FT/1.52M - DROP BAR ENTRY

ITEM	PART NUMBER	QTY	DESCRIPTION	REV
	1001144019	Ref	PLATFORM ASSEMBLY - 5ft/1.52m - DROP BAR ENTRY	C
		Ref	Note: Replacement Decals Must be Ordered Separately - See DECALS SECTION	
1	0100011	AR	Compound, Locking	
2	0641418	2	Bolt, 1/4-20 X 2-1/4	
3	0961845	2	Bushing	
4	3290606	2	Nut, M6	
5	3300151	2	Nut, Acorn, 1/4-20	
6	3520198	2	Plug, Cap	
7	4010618	2	Screw, M6 X 50	
8	4711400	4	Washer, 1/4	
9	4811700	2	Washer, M6	
10	1001138494	1	Bar, Drop	
11	1001138514	1	Rail - Top	
12	1001140429	1	Decal - Drop Bar	
13	See Note	1	Platform, Weldment (Note: Not Available - Purchase Platform Assembly)	
14	3520072	2	Plug, Cap	

SECTION 5 - PLATFORM

FIGURE 5-6. PLATFORM ASSEMBLY - 6FT/1.83M - DROP BAR ENTRY



ART_1001144020

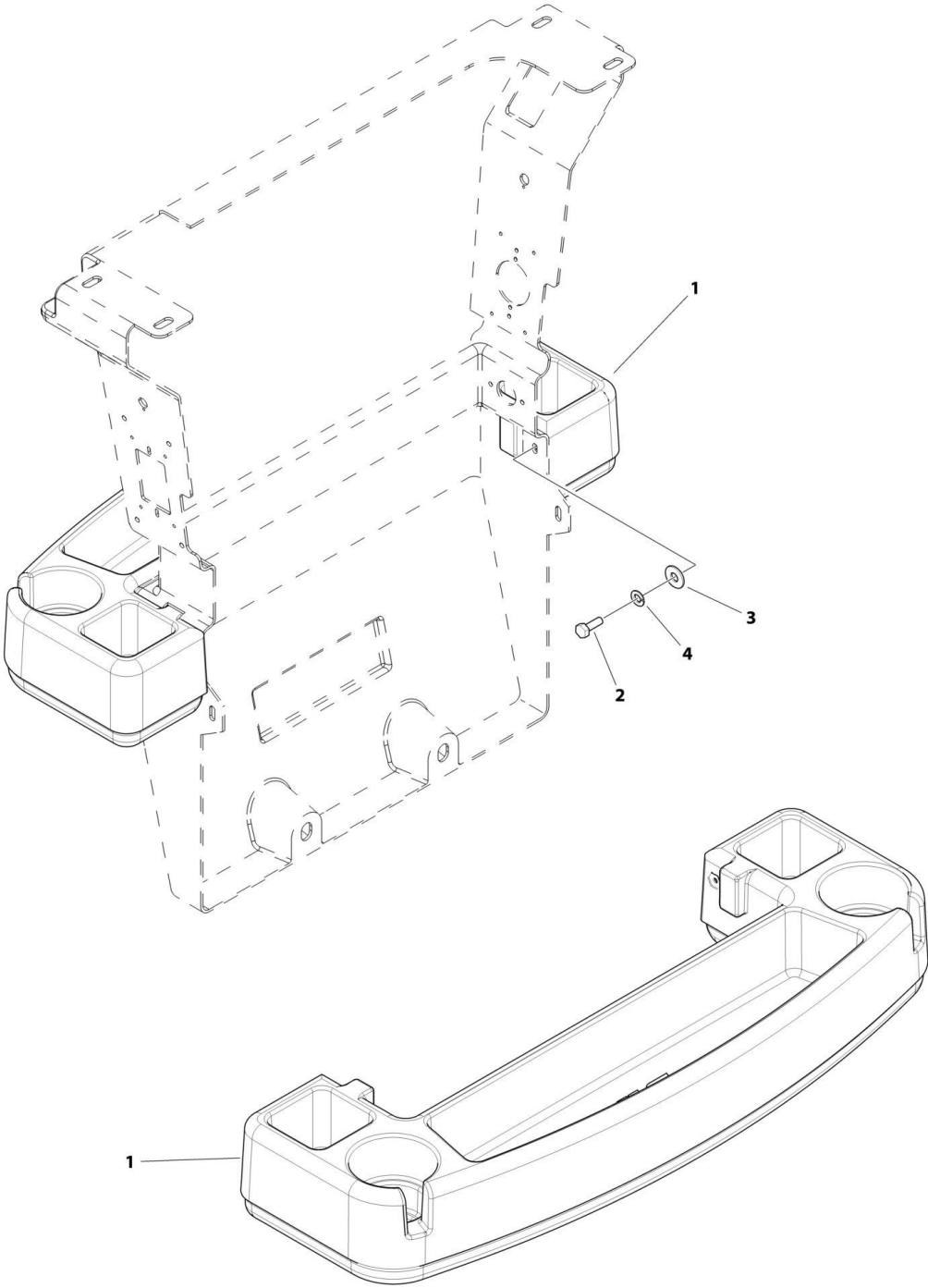
SECTION 5 - PLATFORM

FIGURE 5-6. PLATFORM ASSEMBLY - 6FT/1.83M - DROP BAR ENTRY

ITEM	PART NUMBER	QTY	DESCRIPTION	REV
	1001144020	Ref	PLATFORM ASSEMBLY - 6ft/1.83m - DROP BAR ENTRY	C
		Ref	Note: Replacement Decals Must be Ordered Separately - See DECALS SECTION	
1	0100011	AR	Compound, Locking	
2	0641418	2	Bolt, 1/4-20 X 2-1/4	
3	0961845	2	Bushing	
4	3290606	2	Nut, M6	
5	3300151	2	Nut, Acorn, 1/4-20	
6	3520198	2	Plug, Cap	
7	4010618	2	Screw, M6 X 50	
8	4711400	4	Washer, 1/4	
9	4811700	2	Washer, M6	
10	1001138494	1	Bar, Drop	
11	1001138514	1	Rail - Top	
12	1001140429	1	Decal - Drop Bar	
13	See Note	1	Platform, Weldment (Note: Not Available - Purchase Platform Assembly)	
14	3520072	2	Plug, Cap	

SECTION 5 - PLATFORM

FIGURE 5-7. TRAY ASSEMBLY



ART_1580012

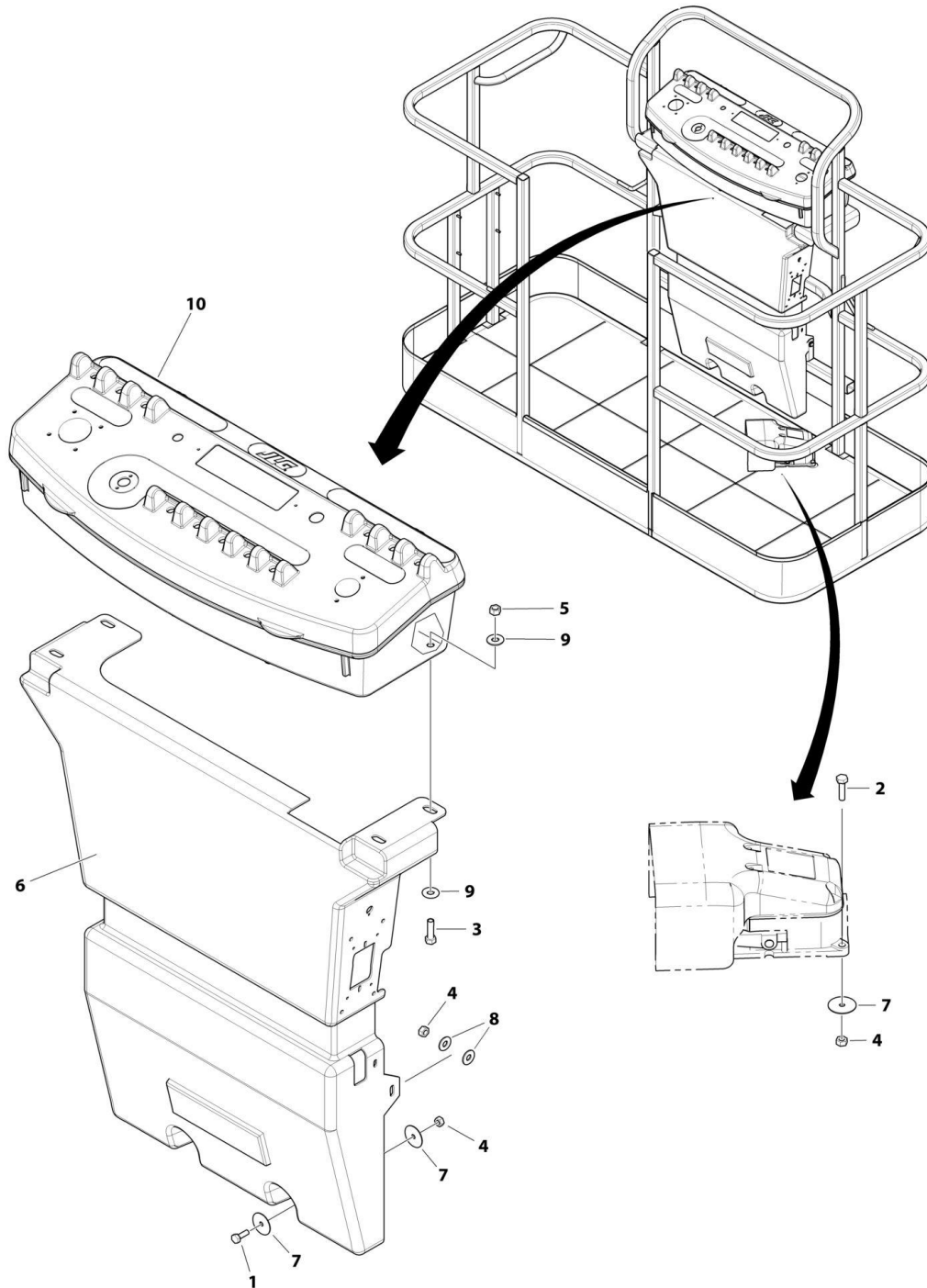
SECTION 5 - PLATFORM

FIGURE 5-7. TRAY ASSEMBLY

ITEM	PART NUMBER	QTY	DESCRIPTION	REV
	1580012	Ref	TRAY INSTALLATION	C
1	See Note	1	Tray, Storage - Center (Note: Purchase p/n 1580012)	
2	0641406	2	Bolt, 1/4-20 x 3/4	
3	4751400	2	Washer, 1/4	
4	4761400	2	Washer, Locking, 1/4	

SECTION 5 - PLATFORM

FIGURE 5-8. PLATFORM CONSOLE AND FOOTSWITCH INSTALLATION



ART_1001146082

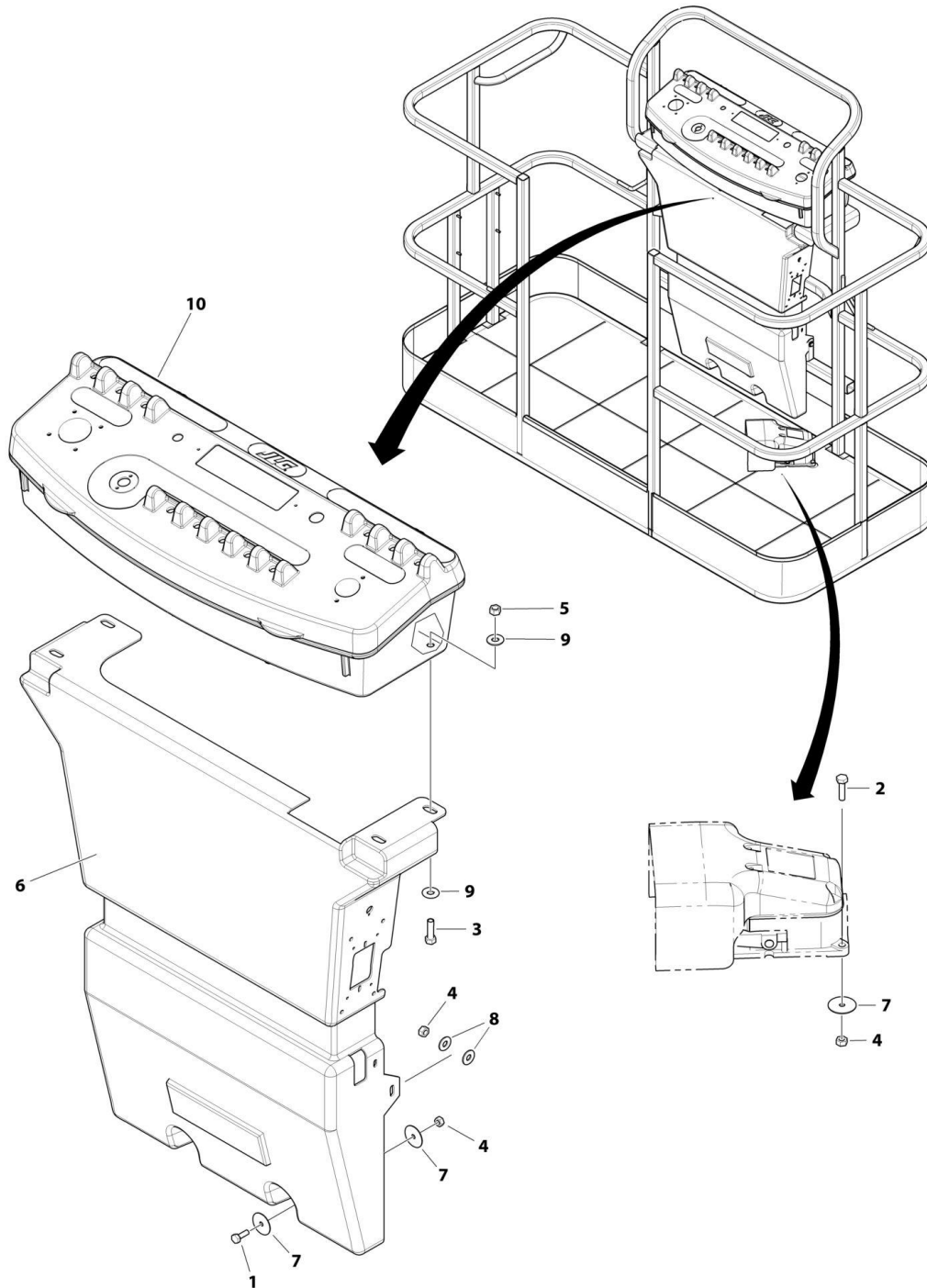
SECTION 5 - PLATFORM

FIGURE 5-8. PLATFORM CONSOLE AND FOOTSWITCH INSTALLATION

ITEM	PART NUMBER	QTY	DESCRIPTION	REV
	1001146082	Ref	PLATFORM CONSOLE AND FOOTSWITCH INSTALLATION	B
1	0641406	4	Bolt, 1/4-20 X 3/4	
2	0641408	3	Bolt, 1/4-20 X 1	
3	0641610	4	Bolt, 3/8-16 X 1-1/4	
4	3311405	7	Nut, Lock, 1/4-20	
5	3311605	4	Nut, Lock, 3/8-16	
6	3380434	1	Panel, Pedestal	
7	4740362	7	Washer, 1/4	
8	4751400	4	Washer, 1/4	
9	4751600	8	Washer, 3/8	
10	1001175617	1	Platform Console Assembly (See PLATFORM CONSOLE ASSEMBLY for Breakdown)	

SECTION 5 - PLATFORM

FIGURE 5-9. PLATFORM CONSOLE AND FOOTSWITCH INSTALLATION - UL



ART_1001145800

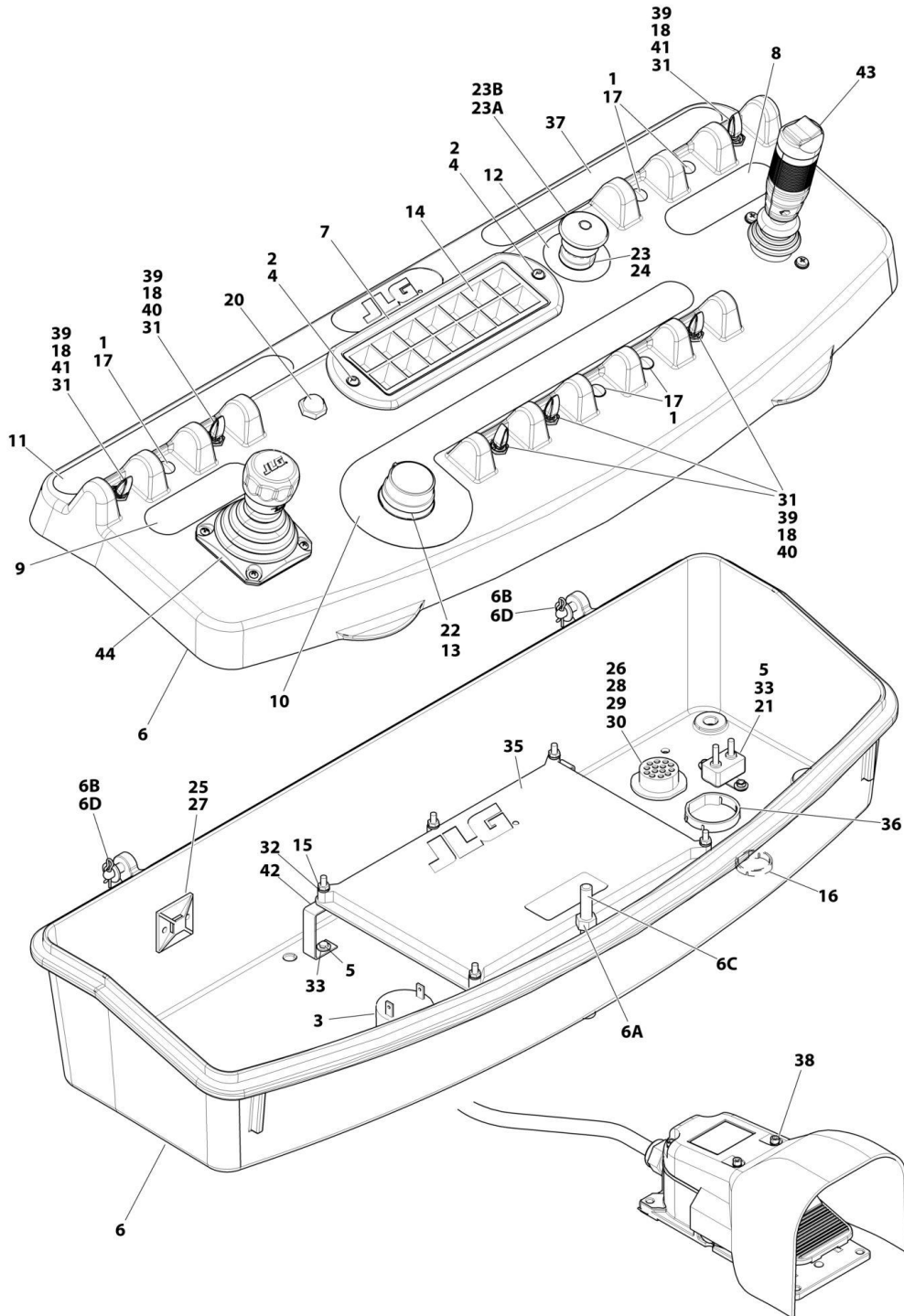
SECTION 5 - PLATFORM

FIGURE 5-9. PLATFORM CONSOLE AND FOOTSWITCH INSTALLATION - UL

ITEM	PART NUMBER	QTY	DESCRIPTION	REV
	1001145800	Ref	PLATFORM CONSOLE AND FOOTSWITCH INSTALLATION -UL	B
1	0641406	4	Bolt, 1/4-20 X 3/4	
2	0641408	3	Bolt, 1/4-20 X 1	
3	0641610	4	Bolt, 3/8-16 X 1-1/4	
4	3311405	7	Nut, Lock, 1/4-20	
5	3311605	4	Nut, Lock, 3/8-16	
6	3380434	1	Panel, Pedestal	
7	4740362	7	Washer, 1/4	
8	4751400	4	Washer, 1/4	
9	4751600	8	Washer, 3/8	
10	1001175619	1	Platform Console Assembly - UL (See PLATFORM CONSOLE ASSEMBLY - UL for Breakdown)	

SECTION 5 - PLATFORM

FIGURE 5-10. PLATFORM CONSOLE ASSEMBLY



ART_1001175617

SECTION 5 - PLATFORM

FIGURE 5-10. PLATFORM CONSOLE ASSEMBLY

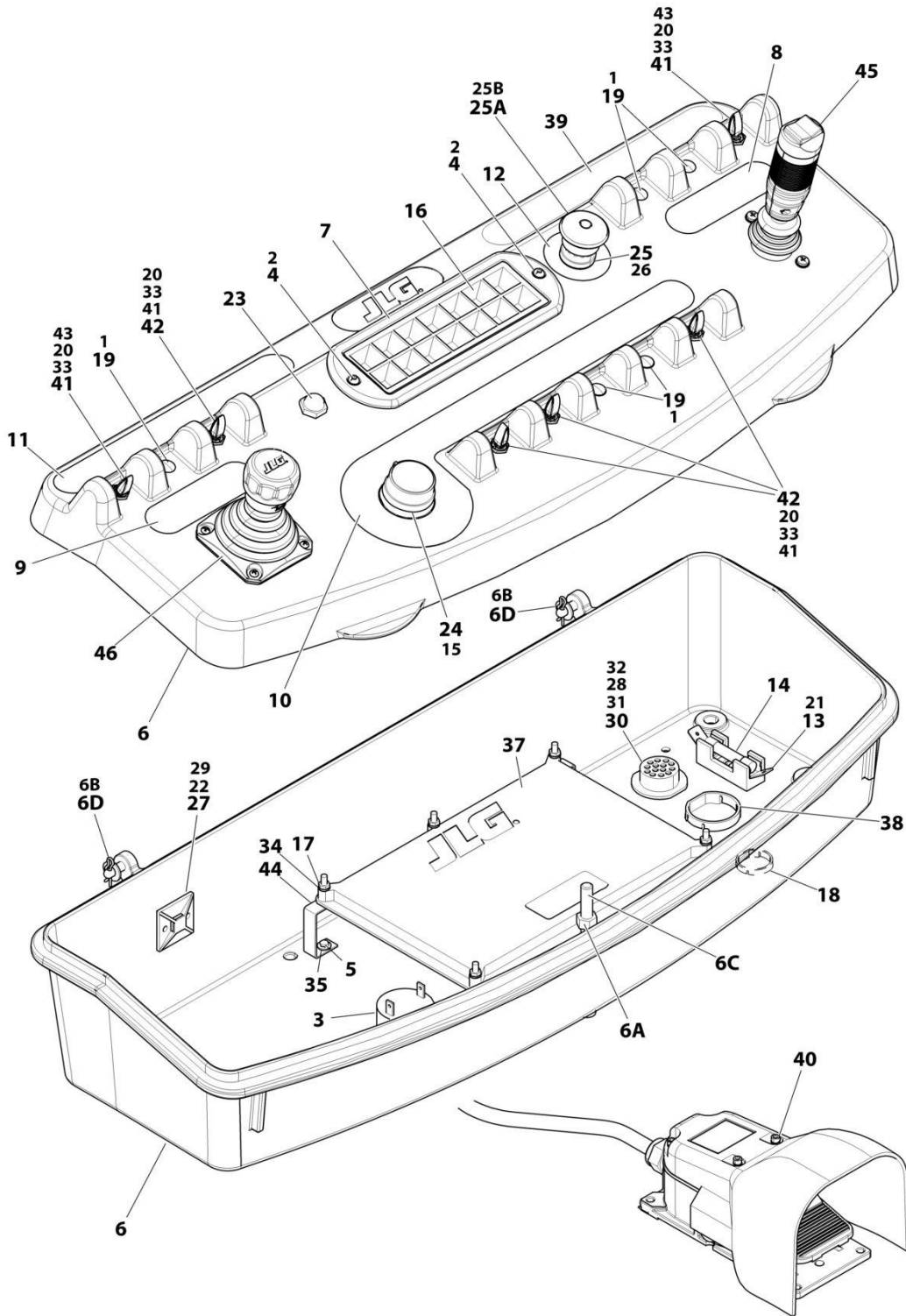
ITEM	PART NUMBER	QTY	DESCRIPTION	REV
	1001175617	Ref	PLATFORM CONSOLE ASSEMBLY	B
1	0100009	AR	Sealant	
2	0100035	AR	Compound, Locking	
3	0140011	1	Alarm	
4	0630464	2	Bolt, #10-24 X 1/2	
5	0720804	6	Bolt, #8-32 X 1/2	
6	0861537	1	Console Box Assembly	
6A	3311601	1	Nut, 3/8-16	
6B	3470003	2	Pin, Cotter	
6C	0630568	1	Capscrew, 3/8-16 x 4-1/2	
6D	4711500	2	Washer, 5/16	
7	1670829	1	Bezel	
8	1702565	1	Decal - Drive and Steer	
9	1702566	1	Decal - Lift and Swing	
10	1702567	1	Decal - Function Speed	
11	1704240	1	Decal - Horn	
12	1704260	1	Decal - EMS	
13	2560136	1	Handle, Knob	
14	2760105	1	Fixture, Light	
15	3310601	6	Nut, #6-32	
16	3520030	1	Plug, Hole	
17	3520054	5	Plug, Hole	
18	3790012	6	O-Ring	
19	4240032	AR	Tie-Strap (Not Shown)	
20	4360387	1	Switch, Push Button	
21	4360448	1	Breaker, Circuit - 10Amp	
22	4360462	1	Switch, Potentiometer	
23	4360475	1	Switch, Emergency Stop	
23A	7020175	1	Cap, Mushroom with Sealing Ring	
23B	7020176	1	Block, Contact	
24	4360476	1	Block, Contact	
25	4460234	3	Mount, Tie-Strap	
26	4460428	1	Connector, Strain Relief	
27	4460488	1	Base, Terminal Mounting	
28	4460496	1	Washer, Lock, Terminal	
29	4460497	1	Nut, Terminal	
30	4460752	1	Connector - 14 Position	
31	4740397	6	Spacer	
32	4750600	6	Washer, #6	
33	4750800	6	Washer, #8	
34	4933060	1	PLATFORM CONSOLE WIRING DIAGRAM (See ELECTRICAL SECTION for breakdown)	
35	1001109498	1	Module, PC	
36	1001110435	1	Plug, D-Shaped	
37	1001132175	1	Decal - Stop - Generator	
38	1001136889	1	Footswitch Assembly (See FOOTSWITCH ASSEMBLY for Breakdown)	
39	1001155044	6	Nut, 15/32-32	
40	1001155045	4	Switch, Toggle	
41	1001159256	2	Switch, Toggle	

SECTION 5 - PLATFORM

ITEM	PART NUMBER	QTY	DESCRIPTION	REV
42	1001175597	2	Bracket, Module	
43	1001178132	1	Controller Assembly - Drive and Steer (See CONTROLLER ASSEMBLY - DRIVE AND STEER for Breakdown)	
44	1001178139	1	Controller Assembly - Lift and Swing (See CONTROLLER ASSEMBLY LIFT AND SWING for Breakdown)	

SECTION 5 - PLATFORM

FIGURE 5-11. PLATFORM CONSOLE ASSEMBLY - UL LISTED



ART_1001175619

SECTION 5 - PLATFORM

FIGURE 5-11. PLATFORM CONSOLE ASSEMBLY - UL LISTED

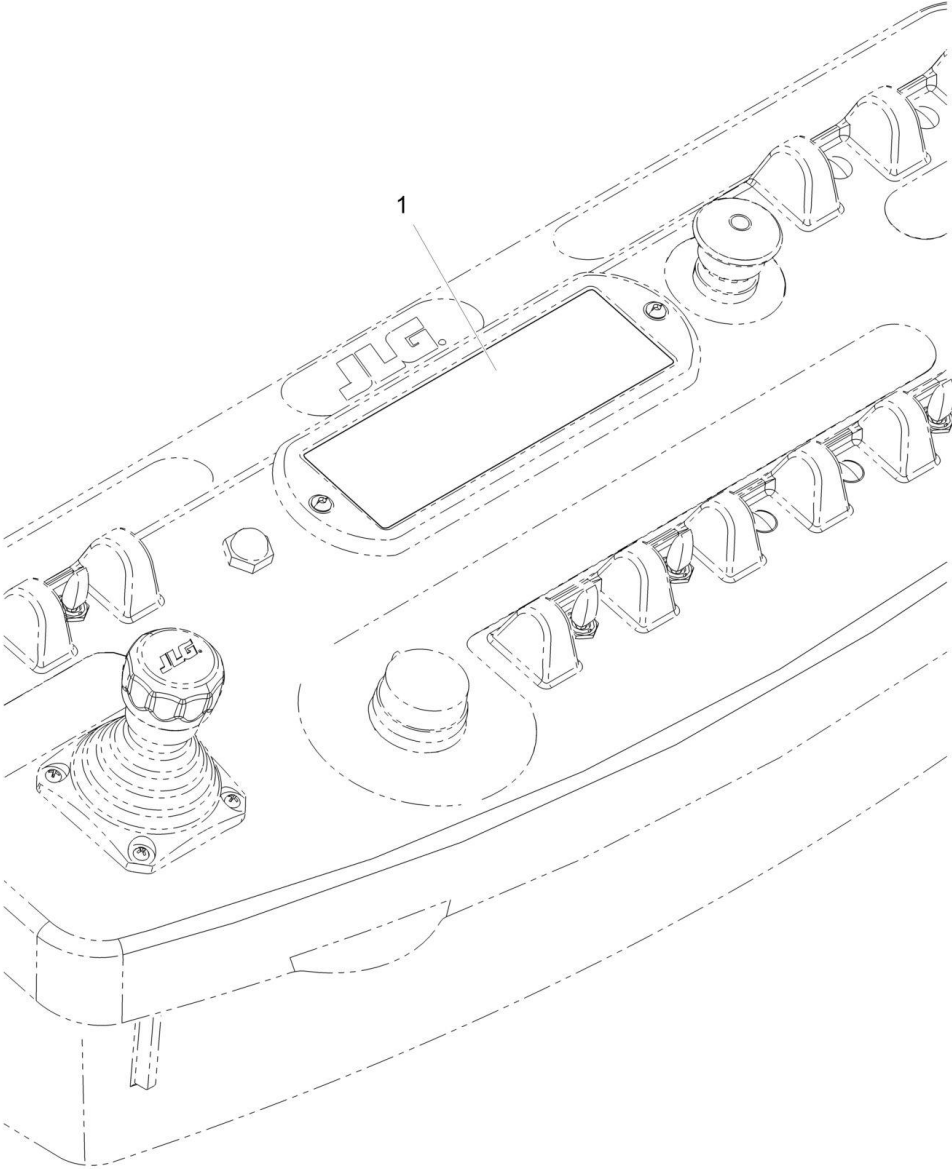
ITEM	PART NUMBER	QTY	DESCRIPTION	REV
	1001175619	Ref	PLATFORM CONSOLE ASSEMBLY - UL LISTED	B
1	0100009	AR	Sealant	
2	0100035	AR	Compound, Locking	
3	0140011	1	Alarm	
4	0630464	2	Bolt, #10-24 X 1/2	
5	0720804	4	Bolt, #8-32 X 1/2	
6	0861537	1	Console Box Assembly	
6A	3311601	1	Nut, 3/8-16	
6B	3470003	2	Pin, Cotter	
6C	0630568	1	Capscrew, 3/8-16 x 4-1/2	
6D	4711500	2	Washer, 5/16	
7	1670829	1	Bezel	
8	1702565	1	Decal - Drive and Steer	
9	1702566	1	Decal - Lift and Swing	
10	1702567	1	Decal - Function Speed	
11	1704240	1	Decal, Horn	
12	1704260	1	Decal - EMS	
13	2400067	1	Holder, Fuse	
14	2400068	1	Fuse - 10Amp	
15	2560136	1	Handle, Knob	
16	2760105	1	Fixture, Light	
17	3310601	6	Nut, #6-32	
18	3520030	1	Plug, Hole	
19	3520054	5	Plug, Hole	
20	3790012	6	O-Ring	
21	3910808	1	Screw, #8-32 X 1/2	
22	4240032	AR	Tie-Strap (Not Shown)	
23	4360387	1	Switch, Push Button	
24	4360462	1	Switch, Potentiometer	
25	4360475	1	Switch, Emergency Stop	
25A	7020175	1	Cap, Mushroom with Sealing Ring	
25B	7020176	1	Block, Contact	
26	4360476	1	Block, Contact	
27	4460234	3	Mount, Tie-Strap	
28	4460428	1	Connector, Strain Relief	
29	4460488	1	Base, Terminal Mounting	
30	4460496	1	Washer, Lock, Terminal	
31	4460497	1	Nut, Terminal	
32	4460752	1	Connector - 14 Position	
33	4740397	6	Spacer	
34	4750600	6	Washer, #6	
35	4750800	4	Washer, #8	
37	1001109498	1	Module, PC	
38	1001110435	1	Plug, D-Shaped	
39	1001132175	1	Decal - Stop - Generator	
40	1001136889	1	Footswitch Assembly (See FOOTSWITCH ASSEMBLY for Breakdown)	
41	1001155044	6	Nut, 15/32-32	
42	1001155045	4	Switch, Toggle	
43	1001159256	2	Switch, Toggle	

SECTION 5 - PLATFORM

ITEM	PART NUMBER	QTY	DESCRIPTION	REV
44	1001175597	2	Bracket, Module	
45	1001178132	1	Controller Assembly - Drive and Steer (See CONTROLLER ASSEMBLY - DRIVE AND STEER for Breakdown)	
46	1001178139	1	Controller Assembly - Lift and Swing (See CONTROL ASSEMBLY - LIFT AND SWING for Breakdown)	

SECTION 5 - PLATFORM

FIGURE 5-12. LIGHT PANEL DECAL INSTALLATION



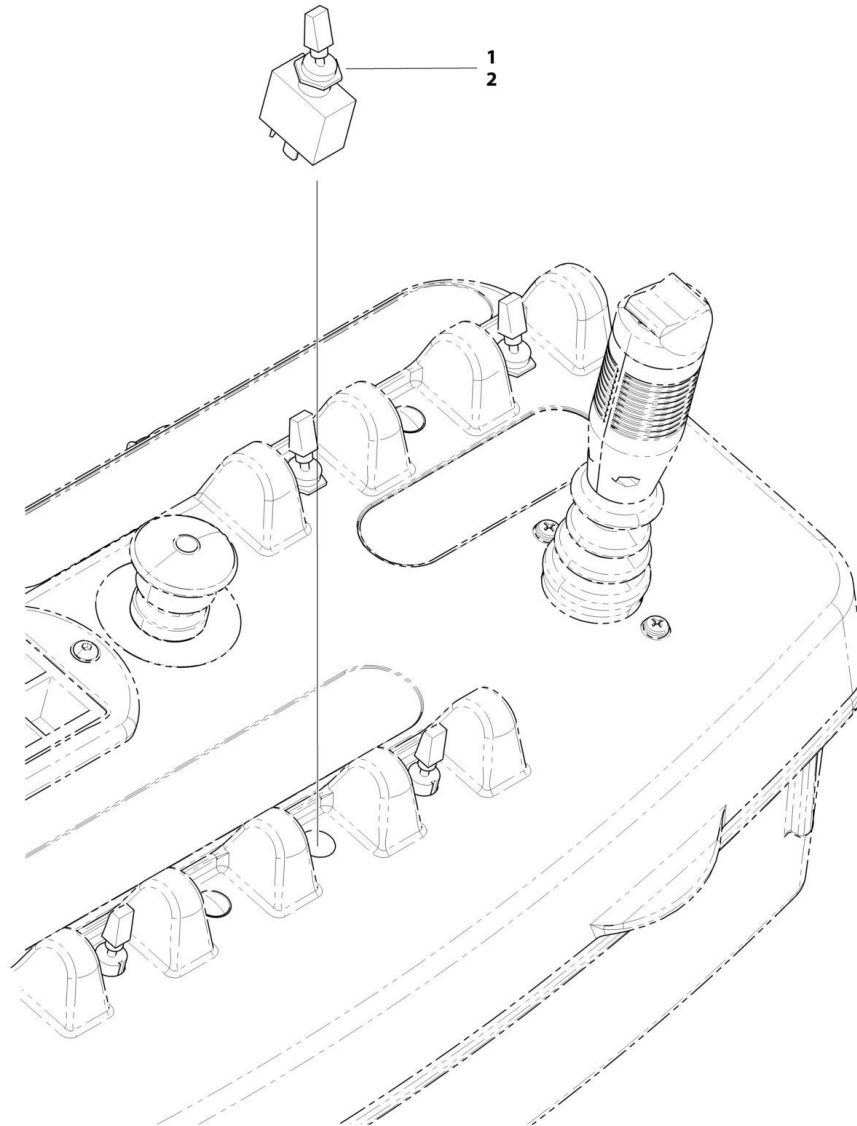
ART_0273089

FIGURE 5-12. LIGHT PANEL DECAL INSTALLATION

ITEM	PART NUMBER	QTY	DESCRIPTION	REV
1	0273089 1001110226	Ref 1	LIGHT PANEL DECAL INSTALLATION Decal - Light Display	B

SECTION 5 - PLATFORM

FIGURE 5-13. JIB SWITCH INSTALLATION - E450AJ/M450AJ



ART_0259102

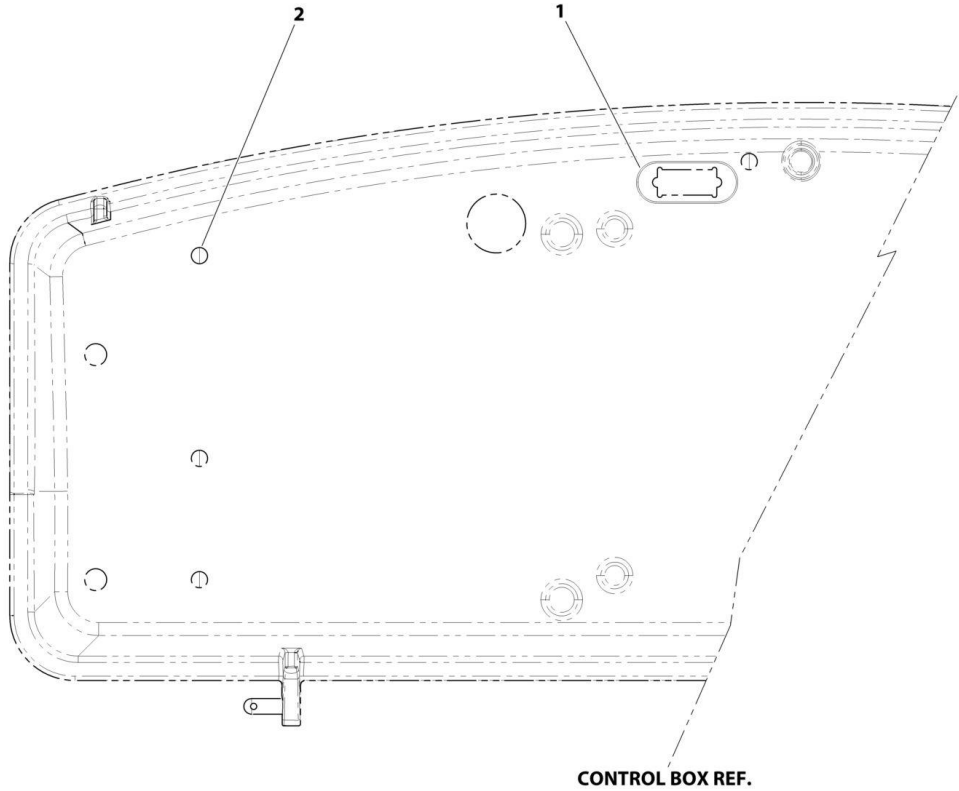
SECTION 5 - PLATFORM

FIGURE 5-13. JIB SWITCH INSTALLATION - E450AJ/M450AJ

ITEM	PART NUMBER	QTY	DESCRIPTION	REV
	0259102	Ref	JIB SWITCH INSTALLATION - E450AJ/M450AJ	2
1	4360328	1	Switch, Toggle	
2	3790012	1	O-Ring	
3	4922294	1	Harness, Jib Function (Not Shown - See ELECTRICAL SECTION for Breakdown)	
4	4240032	AR	Tie-Strap (Not Shown)	

SECTION 5 - PLATFORM

FIGURE 5-14. SEALED ENCLOSURES - UL LISTED



ART_0272111

SECTION 5 - PLATFORM

FIGURE 5-14. SEALED ENCLOSURES - UL LISTED

ITEM	PART NUMBER	QTY	DESCRIPTION	REV
	0272111	Ref	SEALED ENCLOSURES - UL LISTED	B
1	0100009	AR	Sealant (Seal Around Analyzer Port)	
2	3520173	8	Plug (Located in Bottom of Console Box)	

SECTION 5 - PLATFORM

FIGURE 5-15. CONTROLLER ASSEMBLY - DRIVE AND STEER

NOTE: ILLUSTRATION NOT AVAILABLE AT TIME ON PRINTING

SECTION 5 - PLATFORM

FIGURE 5-15. CONTROLLER ASSEMBLY - DRIVE AND STEER

ITEM	PART NUMBER	QTY	DESCRIPTION	REV
	1001178132	Ref Ref	CONTROLLER ASSEMBLY Note: Service parts not available at time of printing.	A

SECTION 5 - PLATFORM

FIGURE 5-16. CONTROLLER ASSEMBLY - LIFT AND SWING

NOTE: ILLUSTRATION NOT AVAILABLE AT TIME ON PRINTING

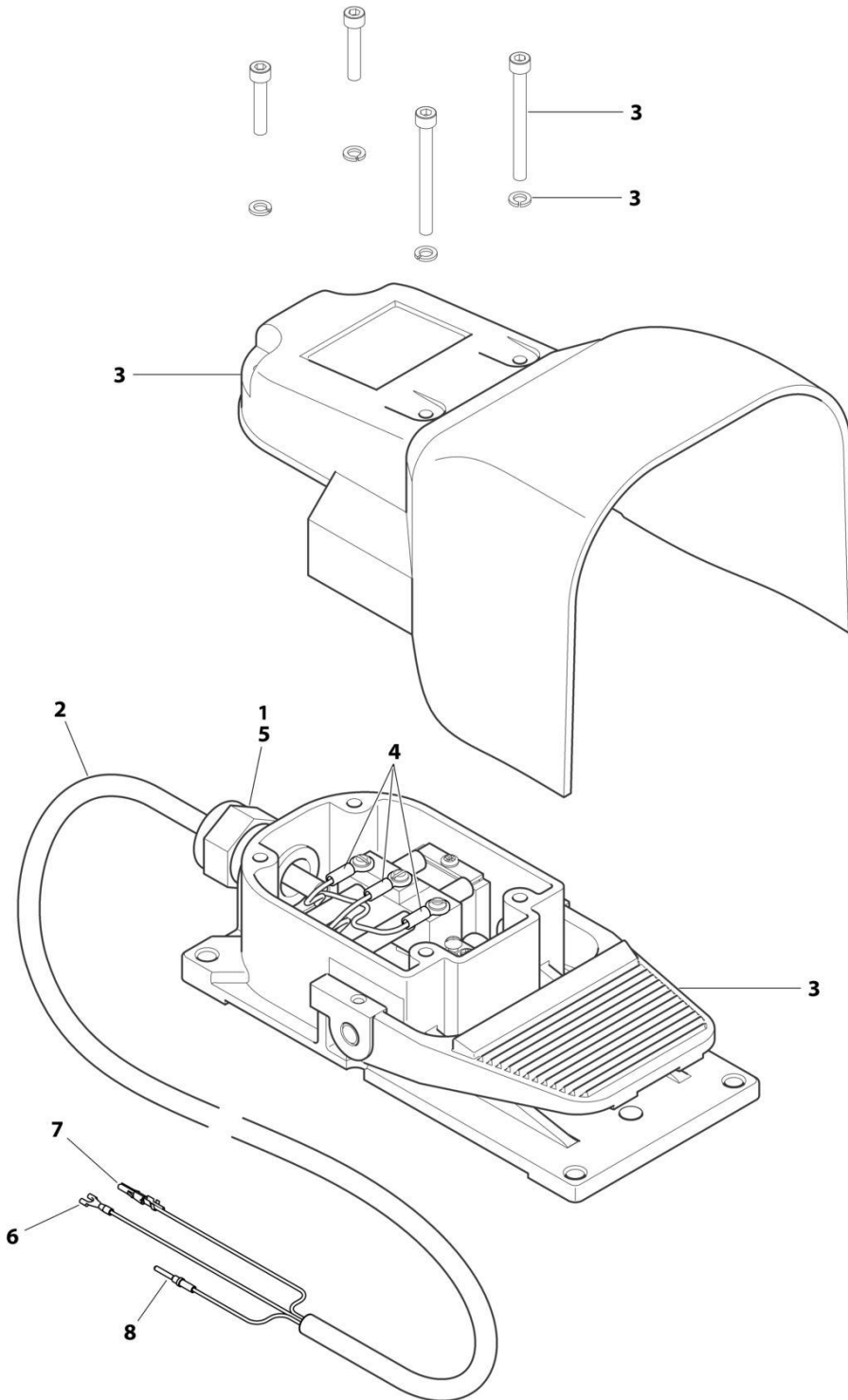
SECTION 5 - PLATFORM

FIGURE 5-16. CONTROLLER ASSEMBLY - LIFT AND SWING

ITEM	PART NUMBER	QTY	DESCRIPTION	REV
	1001178139	Ref Ref	CONTROLLER ASSEMBLY Note: Service parts not available at time of printing.	A

SECTION 5 - PLATFORM

FIGURE 5-17. FOOTSWITCH ASSEMBLY



ART_1001136889

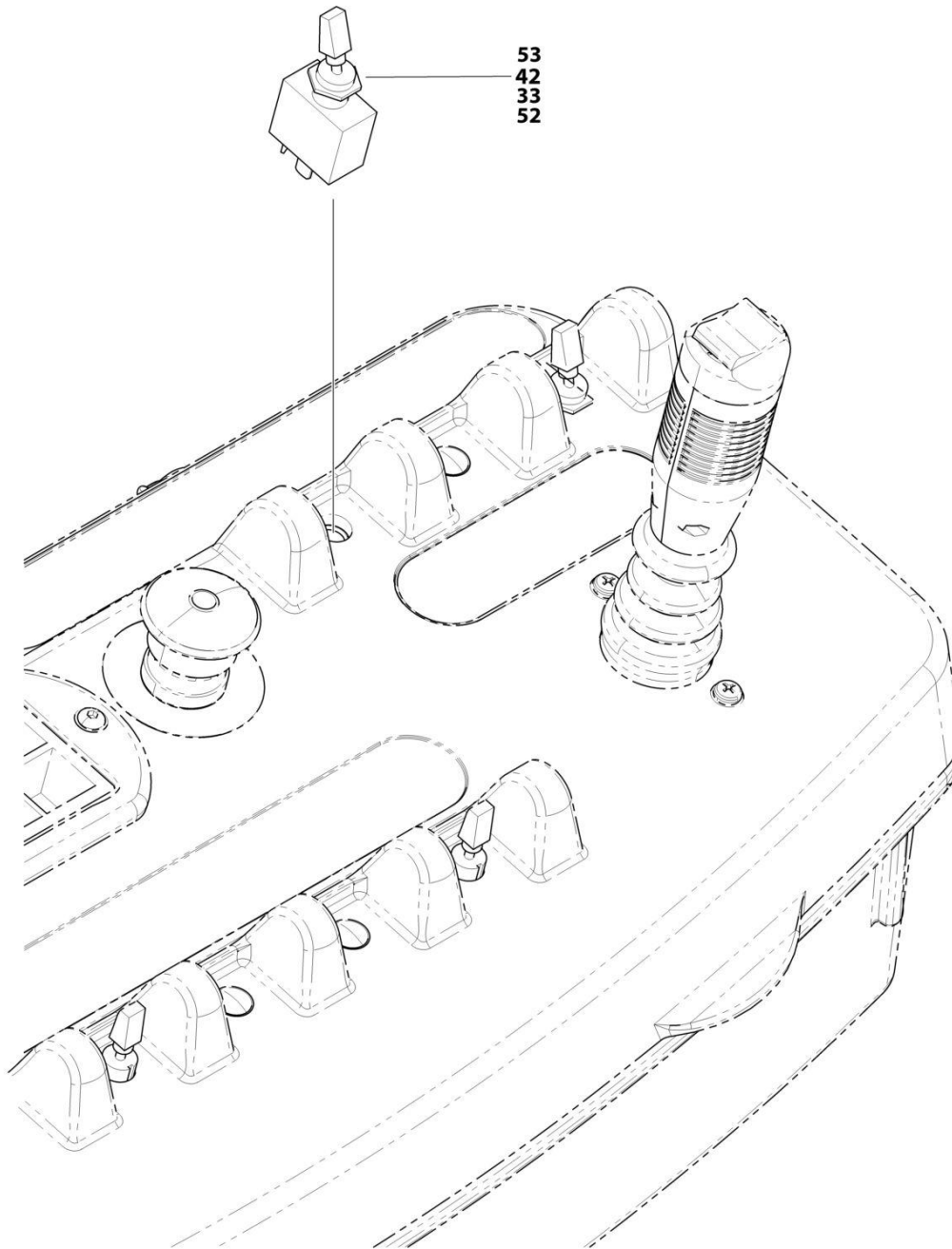
SECTION 5 - PLATFORM

FIGURE 5-17. FOOTSWITCH ASSEMBLY

ITEM	PART NUMBER	QTY	DESCRIPTION	REV
	1001136889	Ref	FOOTSWITCH ASSEMBLY	A
1	0100020	AR	Sealant	
2	1060330	1	Cable, Electrical - 16/3	
3	1001117172	1	Footswitch	
3	70002902	1	Switch, 20Amp	
3	70002903	1	Gasket	
3	70002905	1	Cover	
3	70002904	1	Kit, Replacement Bolt	
4	4460042	3	Terminal	
5	4460071	1	Connector, Strain Relief	
6	4460183	1	Terminal	
7	4460226	1	Socket, Female	
8	4460464	1	Pin, Male	

SECTION 5 - PLATFORM

FIGURE 5-18. MOTOR CONTROLS INSTALLATION - M450AJ



ART_1001167699_4OF4

SECTION 5 - PLATFORM

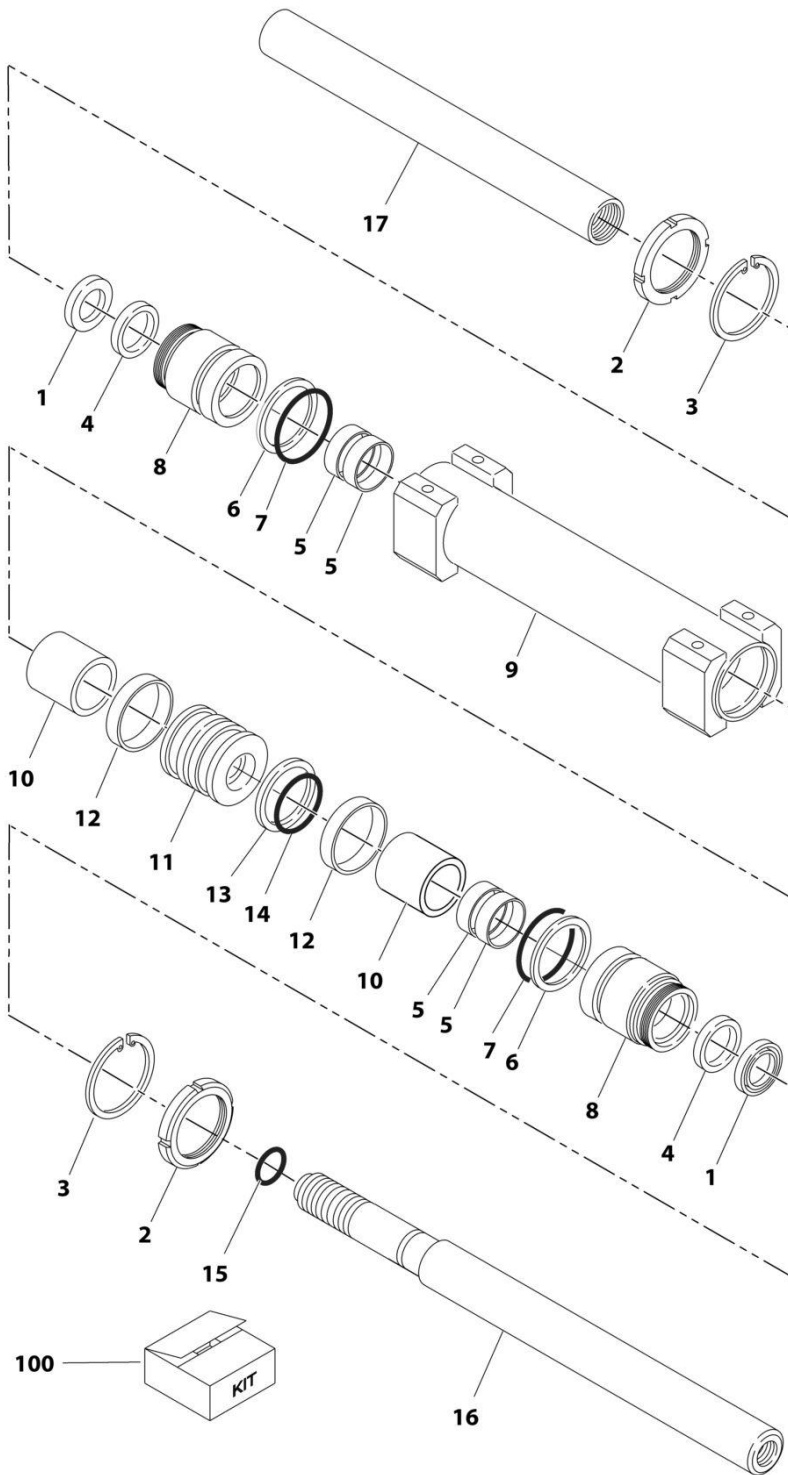
FIGURE 5-18. MOTOR CONTROLS INSTALLATION - M450AJ

ITEM	PART NUMBER	QTY	DESCRIPTION	REV
	1001167699	Ref	MOTOR CONTROLS INSTALLATION - M450AJ	B
33	3790012	1	O-Ring	
42	4360336	1	Switch, Toggle	
52	4922222	1	Harness (Not Shown)	
52	4460464	1	Pin, Male	
53	4922223	1	Harness (Not Shown)	
53	4460464	1	Pin, Male	

SECTION 6 - CYLINDER

SECTION 6 - CYLINDER

FIGURE 6-1. STEER CYLINDER ASSEMBLY



ART_1683591

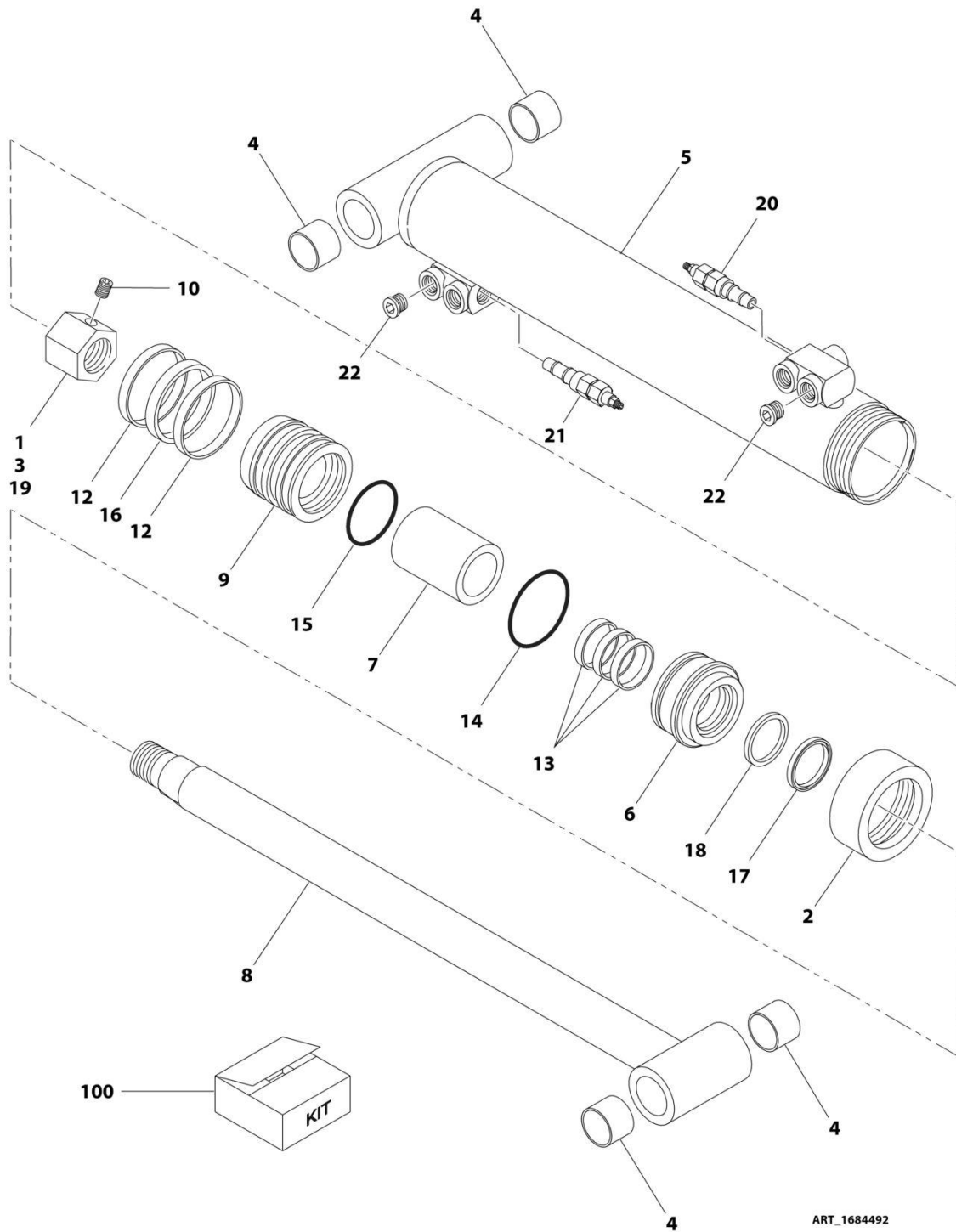
SECTION 6 - CYLINDER

FIGURE 6-1. STEER CYLINDER ASSEMBLY

ITEM	PART NUMBER	QTY	DESCRIPTION	REV
	1683591	Ref	STEER CYLINDER ASSEMBLY	B
1	See Note	2	Wiper (Note: Use p/n 7017246)	
2	7001630	2	Nut, Spanner	
3	7017247	2	Ring, Retaining	
4	See Note	2	Seal, Lip (Note: Use p/n 7017246)	
5	See Note	4	Ring, Wear (Note: Use p/n 7017246)	
6	See Note	2	Ring, Back-Up (Note: Use p/n 7017246)	
7	See Note	2	O-Ring (Note: Use p/n 7017246)	
8	7017248	2	Guide	
9	70003341	1	Barrel, Weldment	
10	7017249	2	Tube	
11	7017250	1	Piston	
12	See Note	2	Ring, Wear (Note: Use p/n 7017246)	
13	See Note	1	Seal (Note: Use p/n 7017246)	
14	See Note	1	O-Ring (Note: Use p/n 7017246)	
15	See Note	1	O-Ring (Note: Use p/n 7017246)	
16	7017251	1	Rod - Male End	
17	7017252	1	Rod - Female End	
100	7017246	1	Seal Kit (Includes Items 1,4-7 & 12-15)	

SECTION 6 - CYLINDER

FIGURE 6-2. LIFT CYLINDER ASSEMBLY - LOWER - E450A



ART_1684492

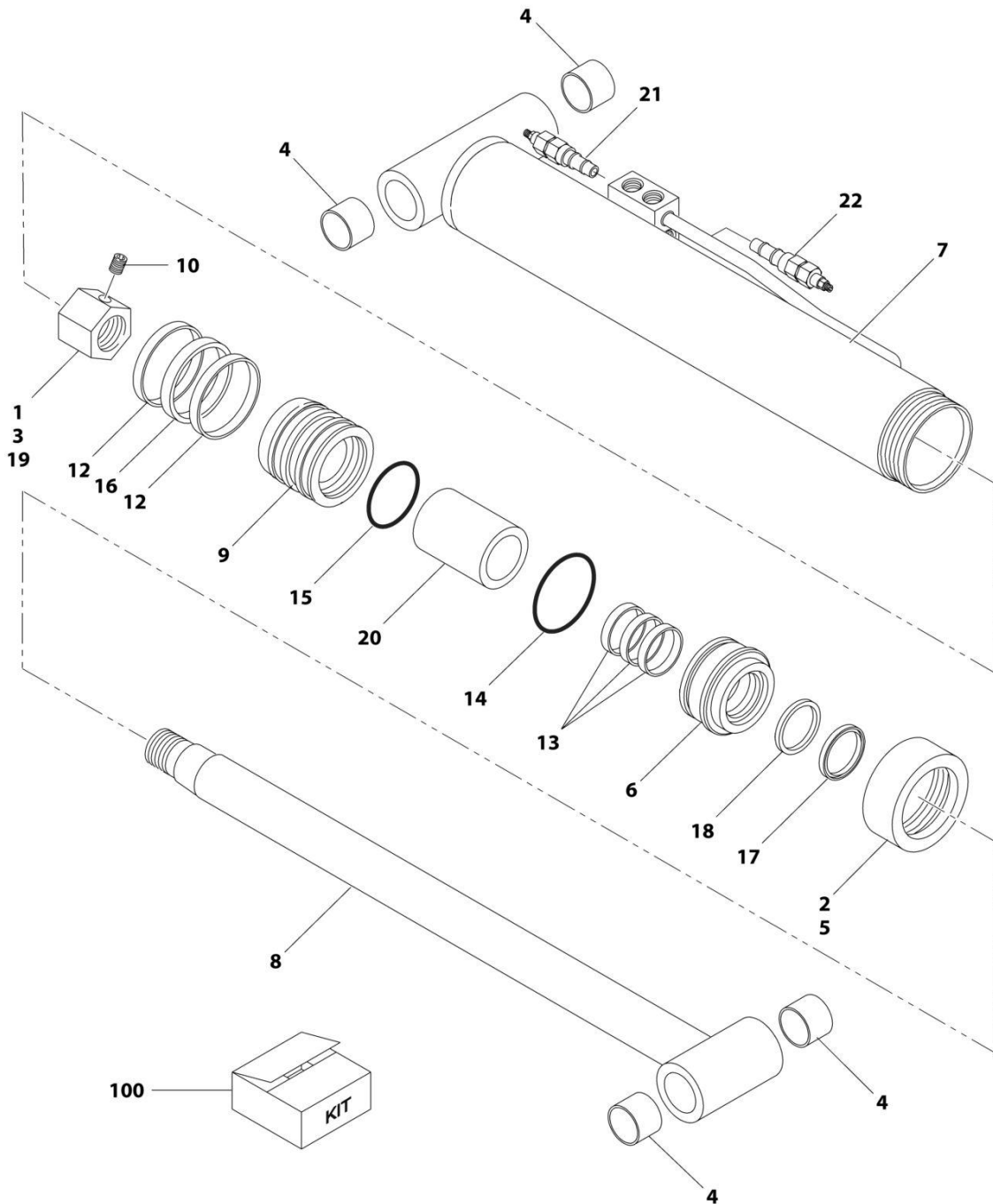
SECTION 6 - CYLINDER

FIGURE 6-2. LIFT CYLINDER ASSEMBLY - LOWER - E450A

ITEM	PART NUMBER	QTY	DESCRIPTION	REV
	1684492	Ref	LOWER LIFT CYLINDER ASSEMBLY	B
1	0100011	AR	Compound, Locking	
2	0100035	AR	Compound, Locking	
3	0100038	AR	Primer, Locking	
4	0961950	4	Bushing	
5	1684055	1	Barrel, Weldment	
5A	1120093	1	Retainer	
6	1683710	1	Head	
7	4566432	1	Spacer	
8	1683941	1	Rod, Weldment	
9	3480241	1	Piston	
10	3900170	1	Setscrew	
12	See Note	2	Ring, Wear (Note: Use p/n 2901806)	
13	See Note	3	Ring, Wear (Note: Use p/n 2901806)	
14	See Note	1	O-Ring (Note: Use p/n 2901806)	
15	See Note	1	O-Ring (Note: Use p/n 2901806)	
16	See Note	1	Seal, Piston (Note: Use p/n 2901806)	
17	See Note	1	Wiper, Rod (Note: Use p/n 2901806)	
18	See Note	1	Seal, Rod (Note: Use p/n 2901806)	
19	3300281	1	Nut	
20	4640634	1	Cartridge, Holding Valve	
20	2900770	1	Seal Kit - 4640634 Valve	
21	4641386	1	Cartridge, Holding Valve	
21	7011376	1	Seal Kit - 4641386 Valve	
22	2220885	2	Plug	
100	2901806	1	Seal Kit (Includes Items 12-18)	

SECTION 6 - CYLINDER

FIGURE 6-3. LIFT CYLINDER ASSEMBLY - E450AJ/M450AJ



ART_1684451

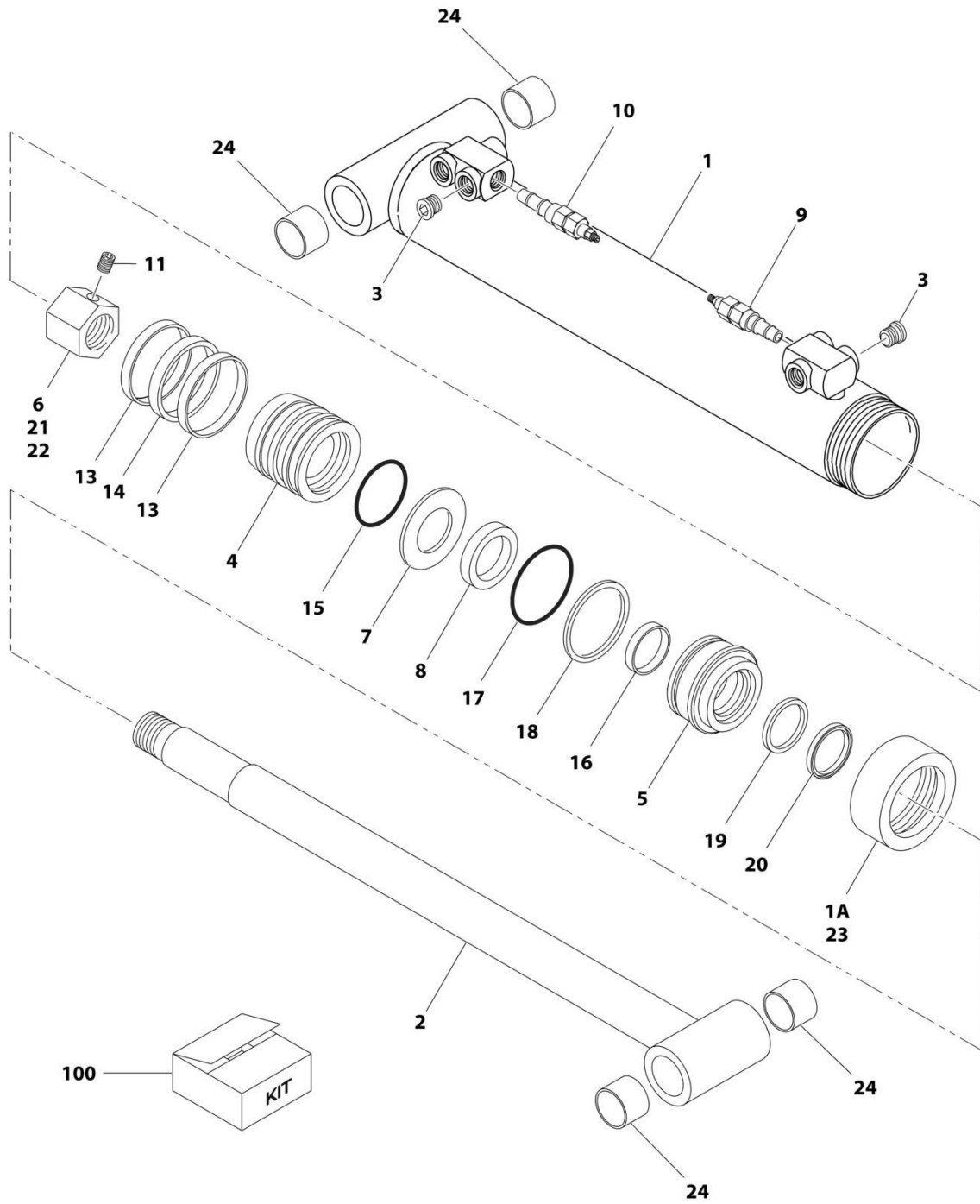
SECTION 6 - CYLINDER

FIGURE 6-3. LIFT CYLINDER ASSEMBLY - E450AJ/M450AJ

ITEM	PART NUMBER	QTY	DESCRIPTION	REV
	1684451	Ref	LOWER LIFT CYLINDER ASSEMBLY	D
1	0100011	AR	Compound, Locking	
2	0100035	1	Compound, Locking	
4	0961950	4	Bushing	
5	1120094	1	Retainer	
6	1683710	1	Head	
7	1683940	1	Barrel, Weldment	
8	1683941	1	Rod, Weldment	
9	3480241	1	Piston	
10	3900170	1	Setscrew	
12	See Note	2	Ring, Wear (Note: Use p/n 2901806)	
13	See Note	3	Ring, Wear (Note: Use p/n 2901806)	
14	See Note	1	O-Ring (Note: Use p/n 2901806)	
15	See Note	1	O-Ring (Note: Use p/n 2901806)	
16	See Note	1	Seal, Piston (Note: Use p/n 2901806)	
17	See Note	1	Wiper, Rod (Note: Use p/n 2901806)	
18	See Note	1	Seal, Rod	
19	3300281	1	Nut	
20	4566432	1	Spacer	
21	4640634	1	Cartridge, Holding Valve	
21	2900770	1	Seal Kit - 4640634 Valve	
22	4641386	1	Cartridge, Holding Valve	
22	7011376	1	Seal Kit - 4641386 Valve	
23	0100038	1	Primer, Locking	
100	2901806	1	Seal Kit (Includes Items 12-18)	

SECTION 6 - CYLINDER

FIGURE 6-4. LIFT CYLINDER ASSEMBLY - MID - E450A



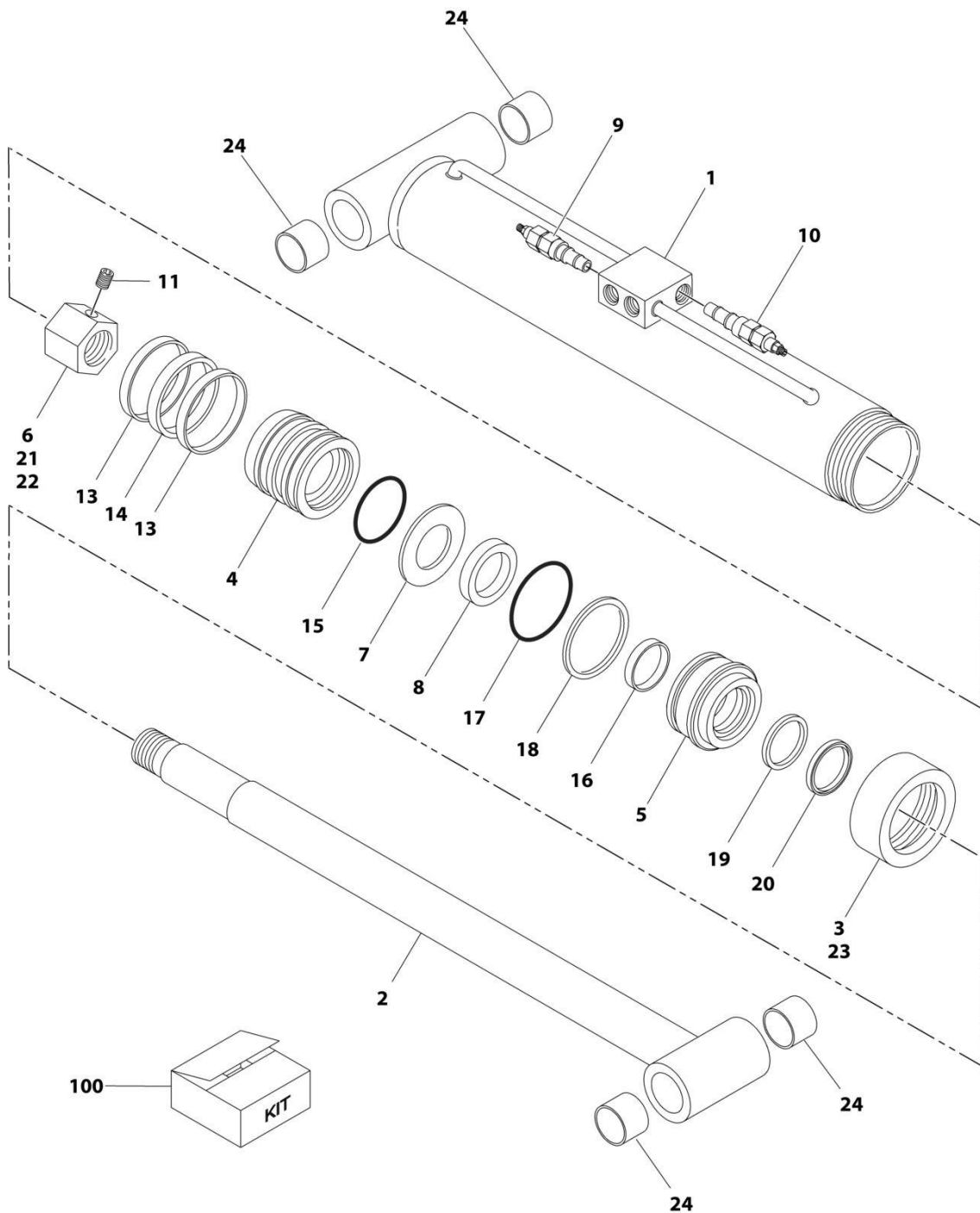
SECTION 6 - CYLINDER

FIGURE 6-4. LIFT CYLINDER ASSEMBLY - MID - E450A

ITEM	PART NUMBER	QTY	DESCRIPTION	REV
	1684493	Ref	MID CYLINDER ASSEMBLY	B
1	1684056	1	Barrel, Weldment	
1A	1120305	1	Retainer	
2	1683944	1	Rod, Weldment	
3	2220885	2	Plug	
4	3480242	1	Piston	
5	1683712	1	Head	
6	3300281	1	Nut	
7	4740207	1	Washer	
8	4566435	1	Spacer	
9	4640634	1	Cartridge, Holding Valve	
9	2900770	1	Seal Kit - 4640634 Valve	
10	4641386	1	Cartridge, Holding Valve	
10	7011376	1	Seal Kit - 4641386 Valve	
11	3900170	1	Setscrew	
13	See Note	2	Ring, Wear (Note: Use p/n 2901805)	
14	See Note	1	Seal, Piston (Note: Use p/n 2901805)	
15	See Note	1	O-Ring (Note: Use p/n 2901805)	
16	See Note	1	Ring, Wear (Note: Use p/n 2901805)	
17	See Note	1	O-Ring (Note: Use p/n 2901805)	
18	See Note	1	Ring, Back-Up (Note: Use p/n 2901805)	
19	See Note	1	Seal, Rod (Note: Use p/n 2901805)	
20	See Note	1	Wiper, Rod (Note: Use p/n 2901805)	
21	0100011	AR	Compound, Locking	
22	0100038	AR	Primer, Locking	
23	0100035	AR	Compound, Locking	
21	0961950	4	Bushing	
100	2901805	1	Seal Kit (Includes Items 13-20)	

SECTION 6 - CYLINDER

FIGURE 6-5. LIFT CYLINDER ASSEMBLY - MID - E450AJ/M450AJ



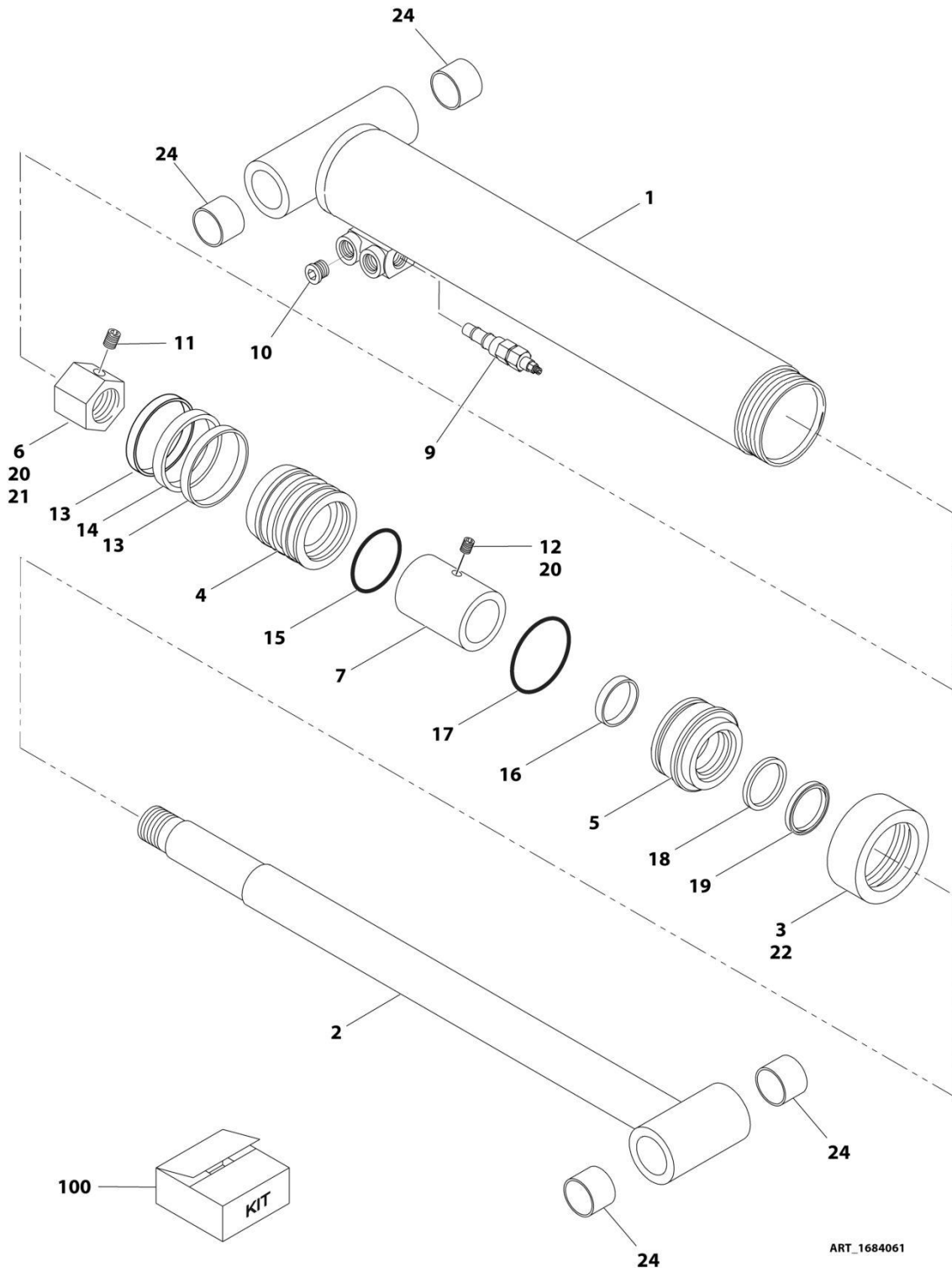
SECTION 6 - CYLINDER

FIGURE 6-5. LIFT CYLINDER ASSEMBLY - MID - E450AJ/M450AJ

ITEM	PART NUMBER	QTY	DESCRIPTION	REV
	1684452	Ref	MID LIFT CYLINDER ASSEMBLY	C
1	1683943	1	Barrel, Weldment	
2	1683944	1	Rod, Weldment	
3	1120305	1	Retainer	
4	3480242	1	Piston	
5	1683712	1	Head	
6	3300281	1	Nut	
7	4740207	1	Washer	
8	4566435	1	Spacer	
9	4640634	1	Cartridge, Holding Valve	
9	2900770	1	Seal Kit - 4640634 Valve	
10	4641386	1	Cartridge, Holding Valve	
10	7011376	1	Seal Kit - 4641386 Valve	
11	3900170	1	Setscrew	
13	See Note	2	Ring, Wear (Note: Use p/n 2901805)	
14	See Note	1	Seal, Piston (Note: Use p/n 2901805)	
15	See Note	1	O-Ring (Note: Use p/n 2901805)	
16	See Note	1	Ring, Wear (Note: Use p/n 2901805)	
17	See Note	1	O-Ring (Note: Use p/n 2901805)	
18	See Note	1	Ring, Back-Up (Note: Use p/n 2901805)	
19	See Note	1	Seal, Rod (Note: Use p/n 2901805)	
20	See Note	1	Wiper, Rod (Note: Use p/n 2901805)	
21	0100011	AR	Compound, Locking	
22	0100038	AR	Primer, Locking	
23	0100035	1	Compound, Locking	
24	0961950	4	Bushing	
100	2901805	1	Seal Kit (Includes Items 13-20)	

SECTION 6 - CYLINDER

FIGURE 6-6. LIFT CYLINDER - UPPER - E450A



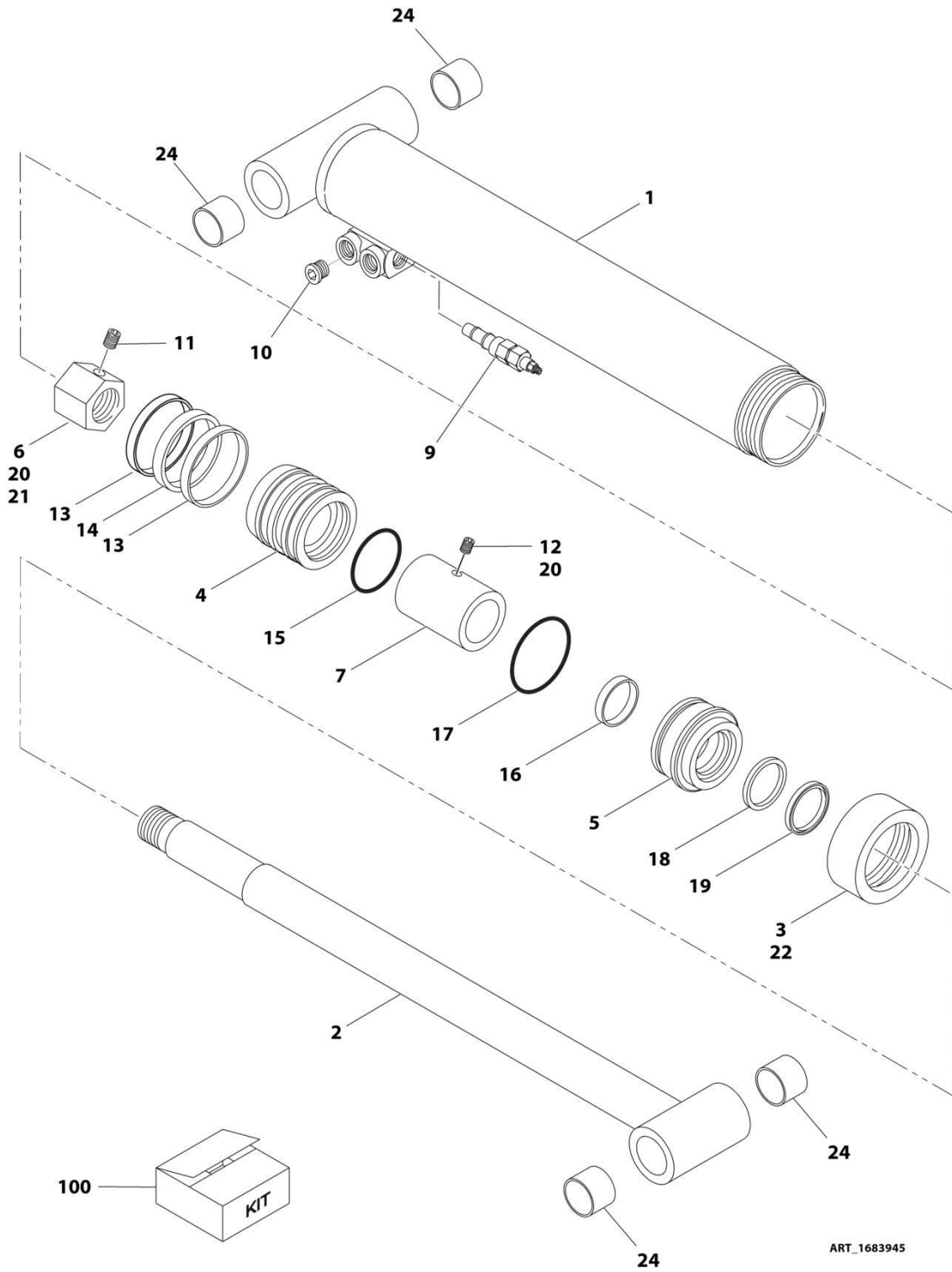
SECTION 6 - CYLINDER

FIGURE 6-6. LIFT CYLINDER - UPPER - E450A

ITEM	PART NUMBER	QTY	DESCRIPTION	REV
	1684061	Ref	LIFT CYLINDER UPPER	5
1	1684060	1	Barrel, Weldment	
2	1684059	1	Rod, Weldment	
3	1120108	1	Retainer	
4	3480240	1	Piston	
5	1683709	1	Head	
6	3300315	1	Nut	
7	4567177	1	Spacer	
9	4640936	1	Cartridge, Valve	
9	2900770	1	Seal, Kit - 4640936 Valve	
10	2220885	4	Plug	
11	3900170	1	Setscrew	
12	3951402	1	Setscrew	
13	See Note	2	Ring, Wear (Note: Use p/n 2901804)	
14	See Note	1	Seal, Piston (Note: Use p/n 2901804)	
15	See Note	1	O-Ring (Note: Use p/n 2901804)	
16	See Note	1	Ring, Wear (Note: Use p/n 2901804)	
17	See Note	1	O-Ring (Note: Use p/n 2901804)	
18	See Note	1	Seal, Rod (Note: Use p/n 2901804)	
19	See Note	1	Wiper, Rod (Note: Use p/n 2901804)	
20	0100011	AR	Compound, Locking	
21	0100038	AR	Primer, Locking	
22	0100035	AR	Compound, Locking	
24	0961950	4	Bushing	
100	2901804	1	Seal Kit (Includes Items 13-19)	

SECTION 6 - CYLINDER

FIGURE 6-7. LIFT CYLINDER - UPPER - E450AJ/M450AJ



ART_1683945

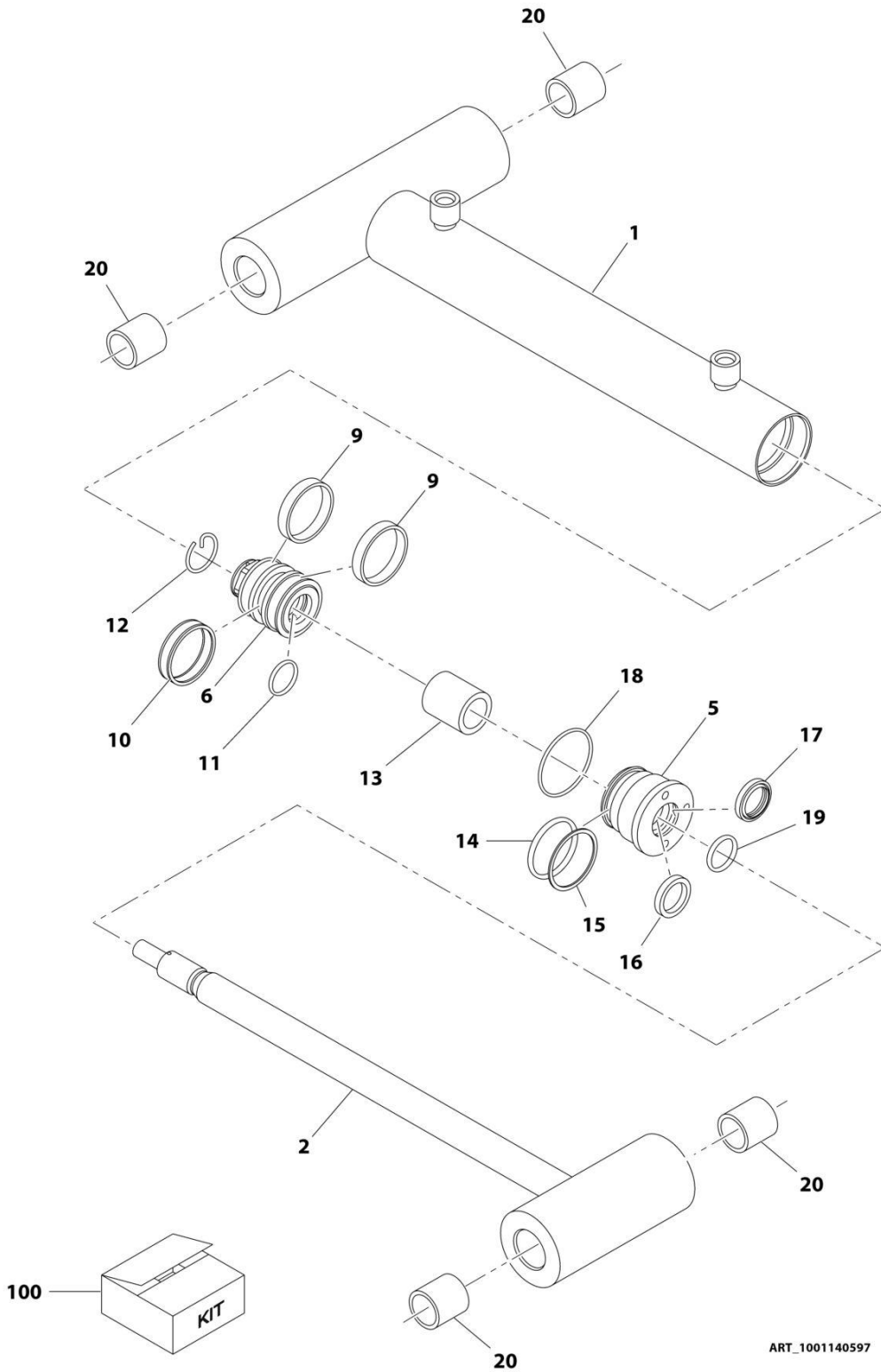
SECTION 6 - CYLINDER

FIGURE 6-7. LIFT CYLINDER - UPPER - E450AJ/M450AJ

ITEM	PART NUMBER	QTY	DESCRIPTION	REV
	1683945	Ref	LIFT CYLINDER UPPER	4
1	1683946	1	Barrel, Weldment	
2	1683947	1	Rod, Weldment	
3	1120108	1	Retainer	
4	3480240	1	Piston	
5	1683709	1	Head	
6	3300279	1	Nut	
7	4567908	1	Spacer	
9	4640936	1	Cartridge, Holding Valve	
9	2900770	1	Seal Kit - 4640936 Valve	
10	2220885	4	Plug	
11	3900170	1	Setscrew	
12	3900142	1	Setscrew	
13	See Note	2	Ring, Wear (Note: Use p/n 2901804)	
14	See Note	1	Seal, Piston (Note: Use p/n 2901804)	
15	See Note	1	O-Ring (Note: Use p/n 2901804)	
16	See Note	1	Ring, Wear (Note: Use p/n 2901804)	
17	See Note	1	O-Ring (Note: Use p/n 2901804)	
18	See Note	1	Seal, Rod (Note: Use p/n 2901804)	
19	See Note	1	Wiper, Rod	
20	0100011	AR	Compound, Locking	
21	0100038	AR	Primer, Locking	
22	0100035	AR	Compound, Locking	
24	0961950	2	Bushing	
100	2901804	1	Seal Kit (Includes Items 13-19)	

SECTION 6 - CYLINDER

FIGURE 6-8. MASTER CYLINDER ASSEMBLY - E450A



ART_1001140597

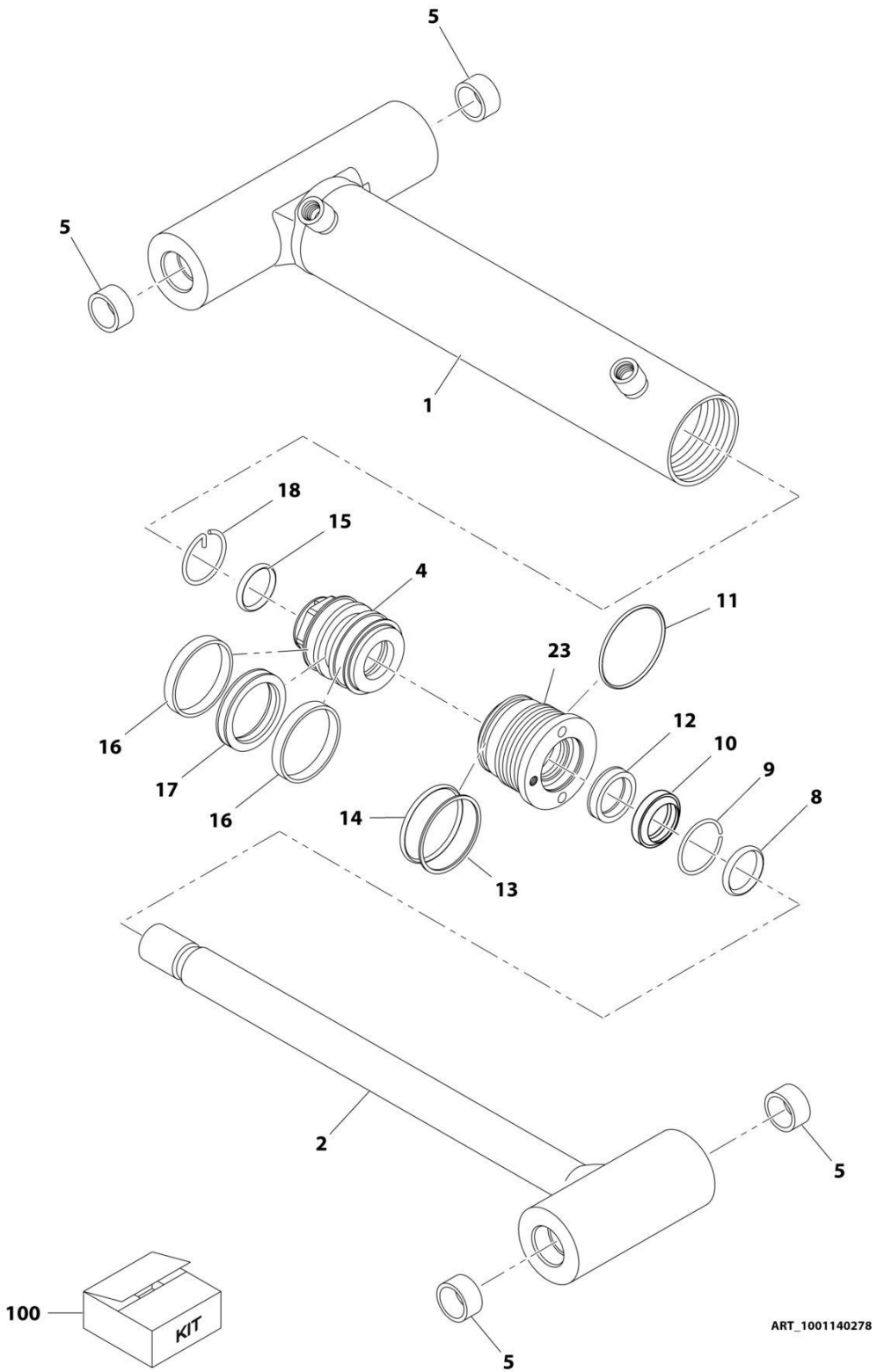
SECTION 6 - CYLINDER

FIGURE 6-8. MASTER CYLINDER ASSEMBLY - E450A

ITEM	PART NUMBER	QTY	DESCRIPTION	REV
	1001001140	Ref	MASTER CYLINDER ASSEMBLY	A
1	70004144	1	Barrel, Weldment	
2	70004145	1	Rod, Weldment	
5	70000739	1	Head	
6	70004141	1	Piston	
9	See Note	2	Ring, Wear (Note: Use p/n 70004130)	
10	See Note	1	Seal, Piston (Note: Use p/n 70004130)	
11	70023094	1	O-Ring	
12	70004142	1	Retainer	
13	70004143	1	Spacer	
14	See Note	1	O-Ring (Note: Use p/n 70004130)	
15	See Note	1	Ring, Back-Up (Note: Use p/n 70004130)	
16	See Note	1	Seal, Rod (Note: Use p/n 70004130)	
17	See Note	1	Wiper, Rod (Note: Use p/n 70004130)	
18	See Note	1	O-Ring (Note: Use p/n 70004130)	
19	See Note	1	O-Ring (Note: Use p/n 70004130)	
20	0962356	4	Bushing	
100	70004130	1	Seal Kit (Includes Items 9-11 & 14-18)	

SECTION 6 - CYLINDER

FIGURE 6-9. MASTER CYLINDER ASSEMBLY - E450AJ/M450AJ



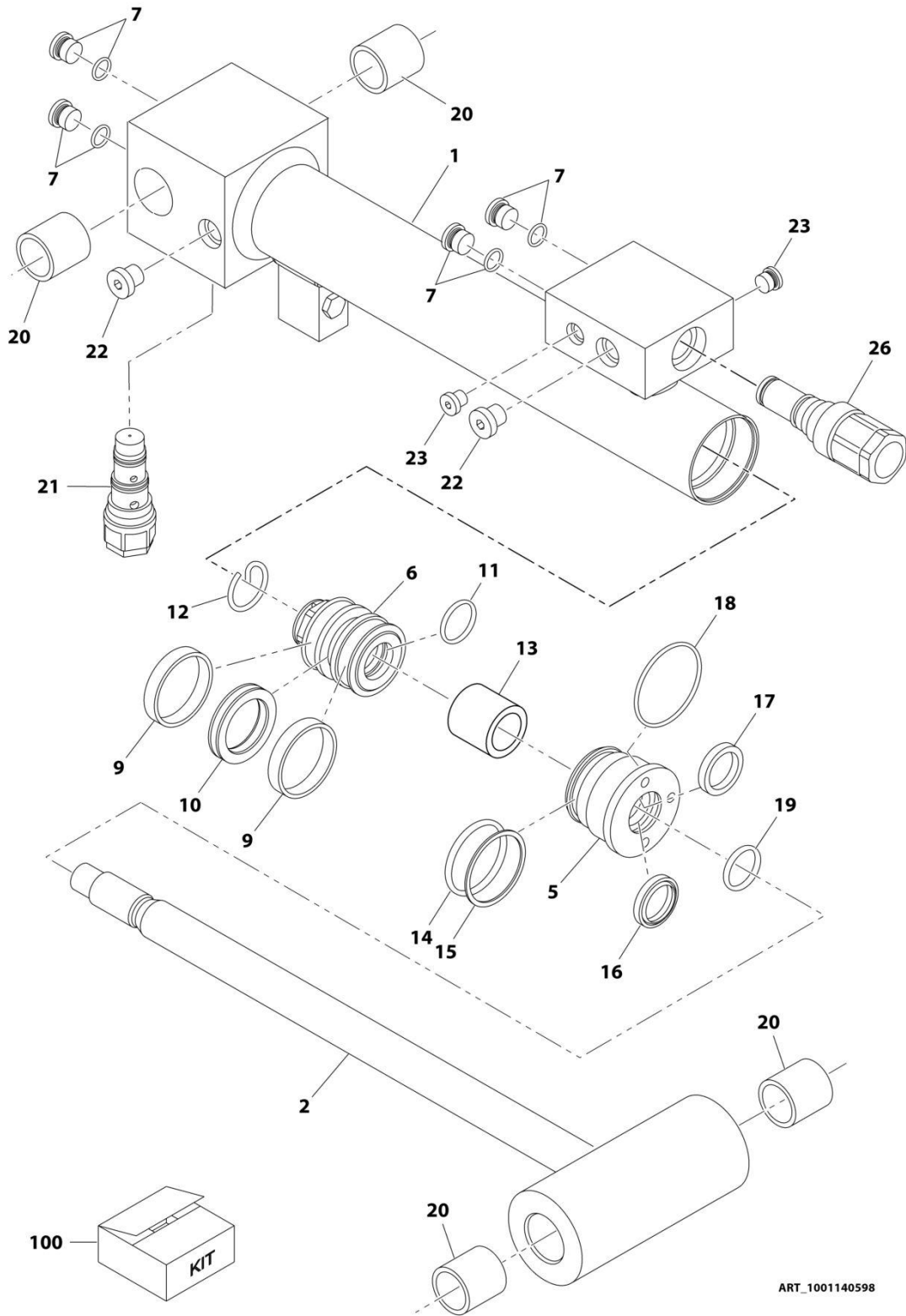
SECTION 6 - CYLINDER

FIGURE 6-9. MASTER CYLINDER ASSEMBLY - E450AJ/M450AJ

ITEM	PART NUMBER	QTY	DESCRIPTION	REV
	1001140278	Ref	MASTER CYLINDER ASSEMBLY	A
1	70003843	1	Barrel, Weldment	
2	70003844	1	Rod, Weldment	
4	70003819	1	Piston	
5	0961951	4	Bushing	
8	7026084	1	O-Ring	
9	70002217	1	Ring, Retaining	
10	See Note	1	Wiper, Rod (Note: Use p/n 70003845)	
11	See Note	1	O-Ring (Note: Use p/n 70003845)	
12	See Note	1	Seal, Rod (Note: Use p/n 70003845)	
13	See Note	1	Ring, Back-Up (Note: Use p/n 70003845)	
14	See Note	1	O-Ring (Note: Use p/n 70003845)	
15	See Note	1	O-Ring (Note: Use p/n 70003845)	
16	See Note	2	Ring, Wear (Note: Use p/n 70003845)	
17	See Note	1	Seal, Piston (Note: Use p/n 70003845)	
18	70002216	1	Retainer	
23	7026082	1	Head	
100	70003845	1	Seal Kit (Includes Items 10-17)	

SECTION 6 - CYLINDER

FIGURE 6-10. PLATFORM LEVEL CYLINDER - E450A



ART_1001140598

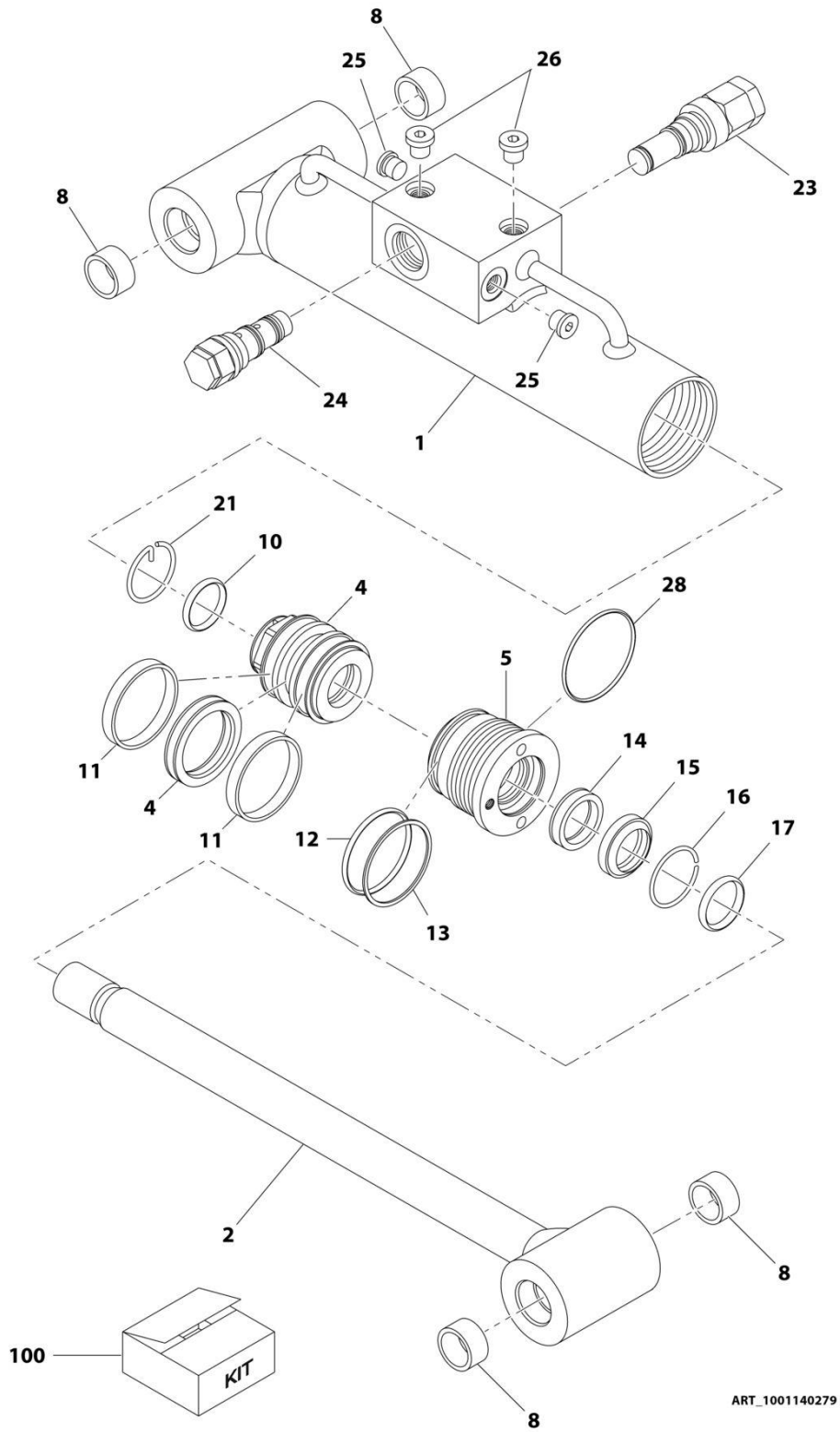
SECTION 6 - CYLINDER

FIGURE 6-10. PLATFORM LEVEL CYLINDER - E450A

ITEM	PART NUMBER	QTY	DESCRIPTION	REV
	1001140598	Ref	PLATFORM LEVEL CYLINDER ASSEMBLY	A
1	70004146	1	Barrel, Weldment	
2	70004147	1	Rod, Weldment	
5	70000739	1	Head	
6	70004141	1	Piston	
7	See Note	4	Plug (Note: Not Available for Purchase)	
9	See Note	2	Ring, Wear (Note: Use p/n 70004131)	
10	See Note	1	Seal, Piston (Note: Use p/n 70004131)	
11	70023094	1	O-Ring (Note: Use p/n 70004131)	
12	70004142	1	Retainer	
13	70004143	1	Spacer	
14	See Note	1	O-Ring (Note: Use p/n 70004131)	
15	See Note	1	Ring, Back-Up (Note: Use p/n 70004131)	
16	See Note	1	Wiper, Rod (Note: Use p/n 70004131)	
17	See Note	1	Seal, Rod (Note: Use p/n 70004131)	
18	See Note	1	O-Ring (Note: Use p/n 70004131)	
19	70000740	1	O-Ring	
20	0962356	4	Bushing	
21	4640509	1	Cartridge, Counterbalance Valve	
21	2900792	1	Seal Kit - 4640509 Valve	
22	70024262	2	Plug	
23	See Note	2	Plug (Note: Not Available for Purchase)	
26	4640932	1	Cartridge, Counterbalance Valve	
26	7011112	1	Seal Kit - 4640932 Valve	
100	70004131	1	Seal Kit (Includes Items 9-11 & 14-18)	

SECTION 6 - CYLINDER

FIGURE 6-11. PLATFORM LEVEL CYLINDER - JIB - E450AJ/M450AJ



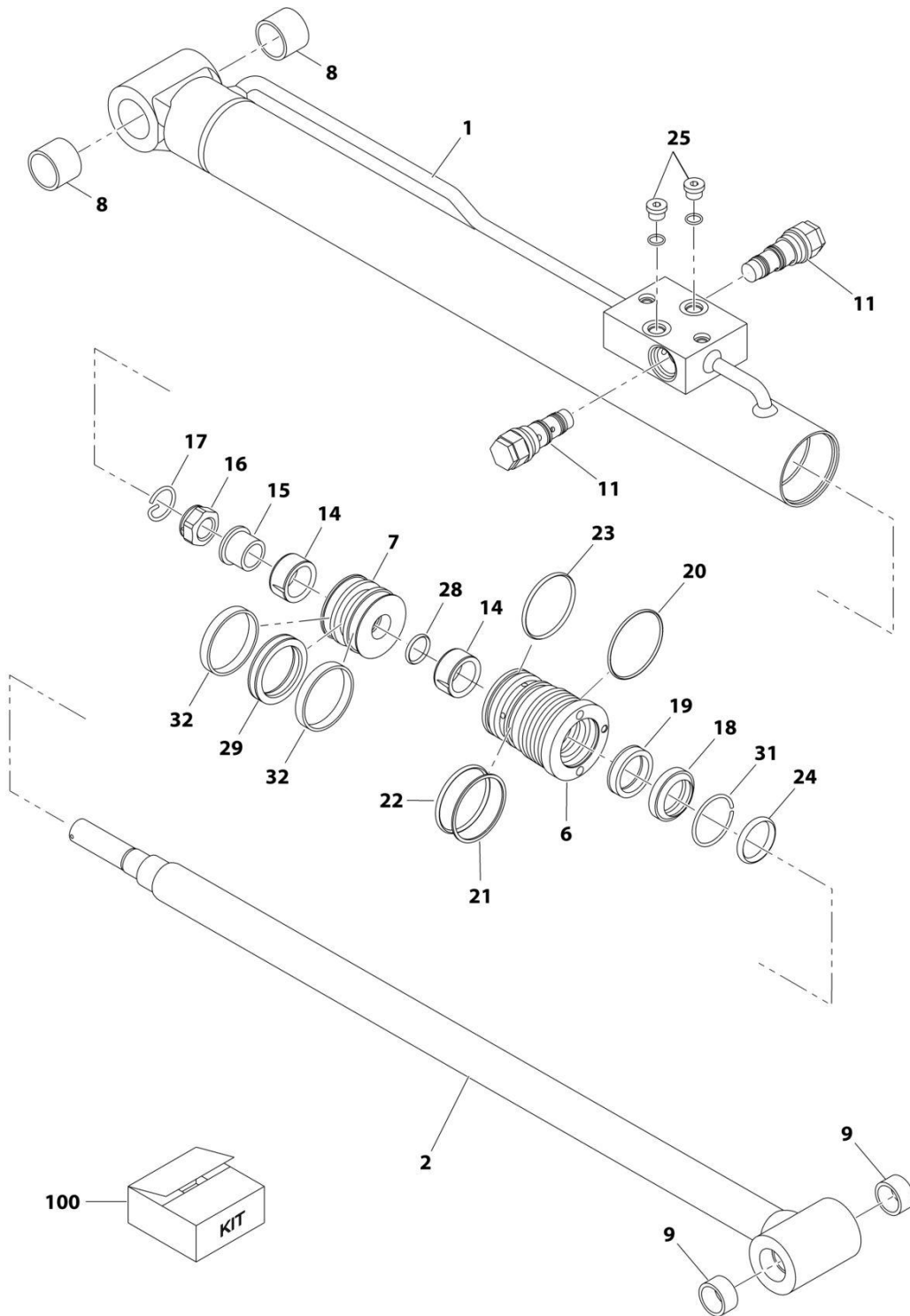
SECTION 6 - CYLINDER

FIGURE 6-11. PLATFORM LEVEL CYLINDER - JIB - E450AJ/M450AJ

ITEM	PART NUMBER	QTY	DESCRIPTION	REV
	1001140279	Ref	PLATFORM LEVEL CYLINDER ASSEMBLY	A
1	70003846	1	Barrel, Weldment	
2	70003847	1	Rod, Weldment	
4	70003819	1	Piston	
5	7026082	1	Head	
8	0961951	4	Bushing	
9	See Note	1	Seal, Piston (Note: Use p/n 70003845)	
10	See Note	1	O-Ring (Note: Use p/n 70003845)	
11	See Note	2	Ring, Wear (Note: Use p/n 70003845)	
12	See Note	1	O-Ring (Note: Use p/n 70003845)	
13	See Note	1	Ring, Back-Up (Note: Use p/n 70003845)	
14	See Note	1	Seal, Rod (Note: Use p/n 70003845)	
15	See Note	1	Wiper, Rod (Note: Use p/n 70003845)	
16	70002217	1	Ring, Retaining	
17	7026084	1	O-Ring	
21	70002216	1	Retainer	
23	4640932	1	Cartridge, Counterbalance Valve	
23	7011112	1	Seal Kit - 4640932 Valve	
24	4641086	1	Cartridge, Counterbalance Valve	
24	2900792	1	Seal Kit - 4641086 Valve	
25	7024844	2	Plug	
26	See Note	2	Plug (Note: Not Available for Purchase)	
28	See Note	1	O-Ring (Note: Use p/n 70003845)	
100	70003845	1	Seal Kit (Includes Items 9-15 & 28)	

SECTION 6 - CYLINDER

FIGURE 6-12. JIB CYLINDER ASSEMBLY - E450AJ/M450AJ



ART_1001140280

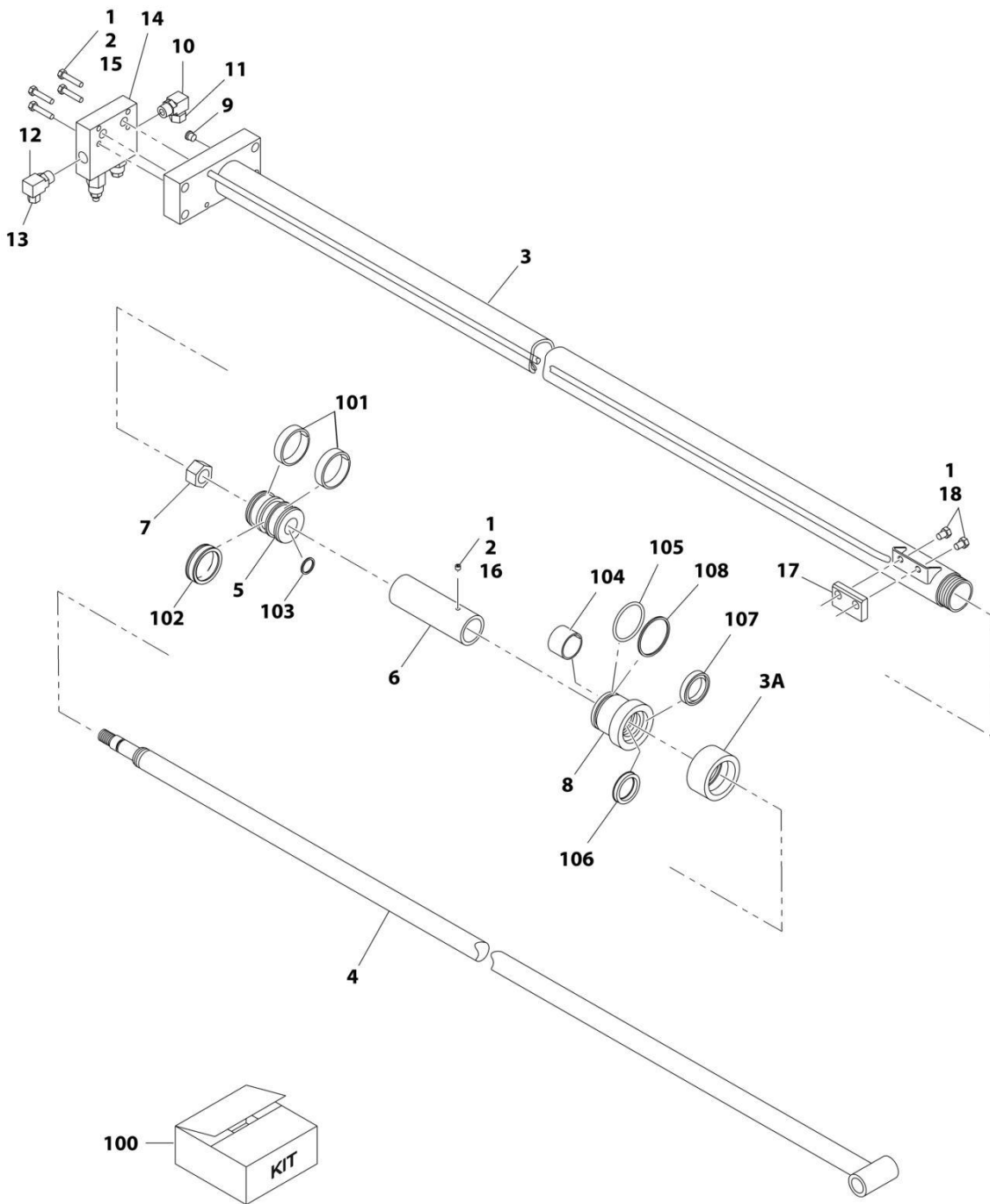
SECTION 6 - CYLINDER

FIGURE 6-12. JIB CYLINDER ASSEMBLY - E450AJ/M450AJ

ITEM	PART NUMBER	QTY	DESCRIPTION	REV
	1001140280	Ref	JIB CYLINDER ASSEMBLY	A
1	70003863	1	Barrel, Weldment	
2	70003864	1	Rod, Weldment	
6	7026088	1	Head	
7	70003833	1	Piston	
8	0961951	2	Bushing	
9	0961947	2	Bushing	
11	4640509	2	Cartridge, Counterbalance Valve	
11	2900792	2	Seal Kit - 4640509	
14	7026090	2	Bushing	
15	7026091	1	Sleeve	
16	7026092	1	Nut	
17	70002223	1	Retainer	
18	See Note	1	Wiper, Rod (Note: Use p/n 70003836)	
19	See Note	1	Seal, Rod (Note: Use p/n 70003836)	
20	See Note	1	O-Ring (Note: Use p/n 70003836)	
21	See Note	1	Ring, Back-Up (Note: Use p/n 70003836)	
22	See Note	1	O-Ring (Note: Use p/n 70003836)	
23	See Note	1	O-Ring (Note: Use p/n 70003836)	
24	7026068	1	O-Ring	
25	7024844	2	Plug	
28	See Note	1	O-Ring (Note: Use p/n 70003836)	
29	See Note	1	Seal, Piston (Note: Use p/n 70003836)	
31	70002220	1	Ring, Retaining	
32	See Note	2	Ring, Wear (Note: Use p/n 70003836)	
100	70003836	1	Seal Kit (Includes Items 18-23, 28, 29 & 32)	

SECTION 6 - CYLINDER

FIGURE 6-13. TELESCOPE CYLINDER ASSEMBLY - E450A



ART_1001151414

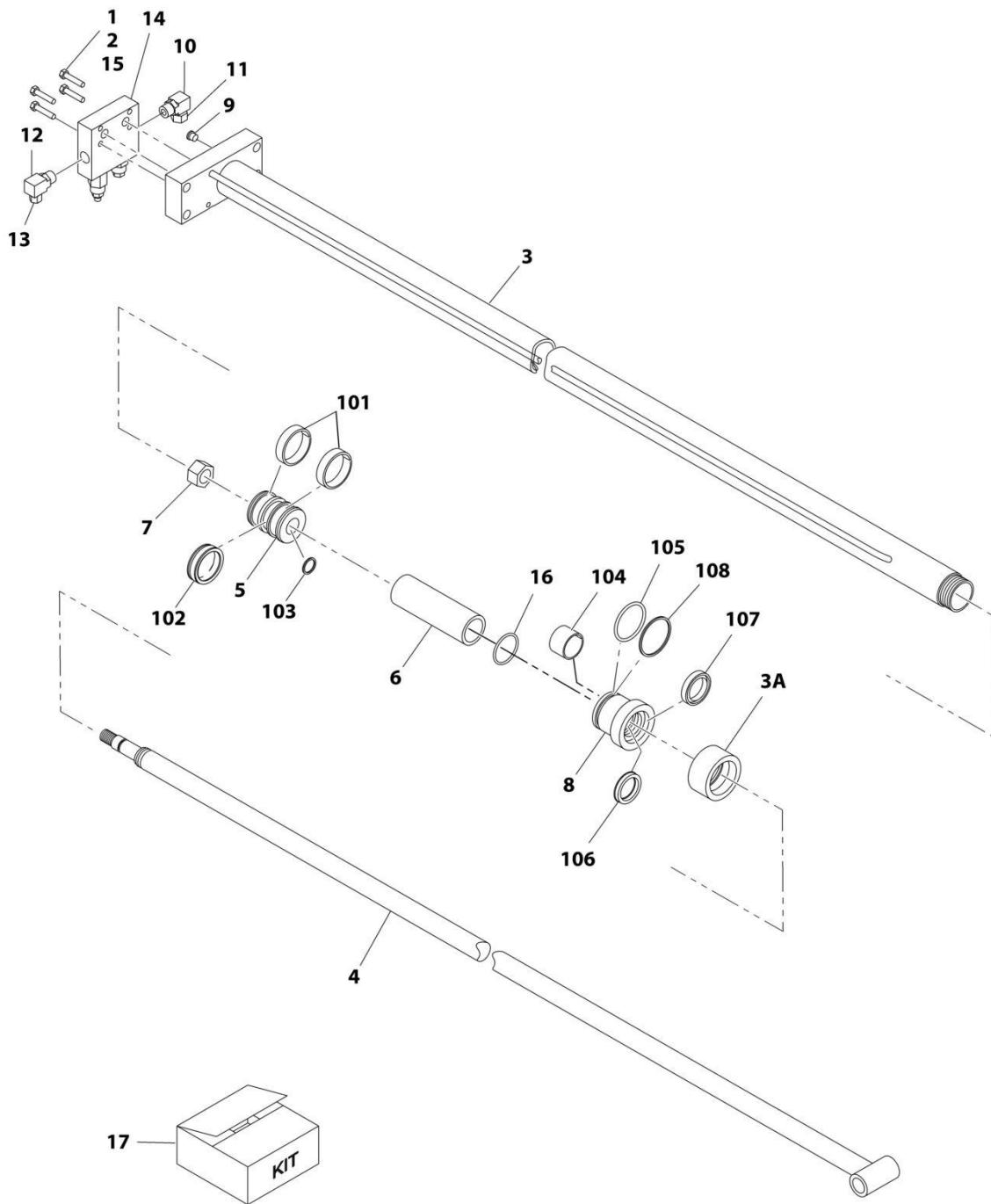
SECTION 6 - CYLINDER

FIGURE 6-13. TELESCOPE CYLINDER ASSEMBLY - E450A

ITEM	PART NUMBER	QTY	DESCRIPTION	REV
	1001151414	Ref	TELESCOPE CYLINDER ASSEMBLY	A
1	0100011	AR	Compound, Locking	
2	0100038	AR	Primer, Locking	
3	1001151413	1	Barrel, Weldment	
3A	1120110	1	Cap, End	
4	1683706	1	Rod, Weldment	
5	3480239	1	Piston	
6	4567704	1	Spacer	
7	3322205	1	Nut, Lock, 3/4-16	
8	1683584	1	Head	
9	2220883	1	Plug	
10	2220596	1	Fitting, 90 JIC/ORB	
11	2220517	1	Fitting, Cap	
12	2220628	1	Fitting, 90 JIC/ORB	
13	2220516	1	Fitting, Cap	
14	4640807	1	Counterbalance Valve Assembly (See COUNTERBALANCE VALE ASSEMBLY for Breakdown)	
15	0641512	4	Bolt, 5/16-18 X 1-1/2	
16	3951402	1	Setscrew 1/4-20 X 1/4	
17	3340679	1	Pad, Wear	
18	0641604	2	Bolt, 3/8-16 X 1/2	
100	1001152230	1	Seal Kit (Includes Items 101-108)	
101	See Note	2	Ring, Wear (Note: Use p/n 1001152230)	
102	See Note	1	Seal, Cap (Note: Use p/n 1001152230)	
103	See Note	1	O-Ring (Note: Use p/n 1001152230)	
104	See Note	1	Ring, Wear (Note: Use p/n 1001152230)	
105	See Note	1	O-Ring (Note: Use p/n 1001152230)	
106	See Note	1	Seal, Rod (Note: Use p/n 1001152230)	
107	See Note	1	Wiper, Rod (Note: Use p/n 1001152230)	
108	See Note	1	Ring, Back-Up (Note: Use p/n 1001152230)	

SECTION 6 - CYLINDER

FIGURE 6-14. TELESCOPE CYLINDER ASSEMBLY - E450AJ/M450AJ



ART_1001151368

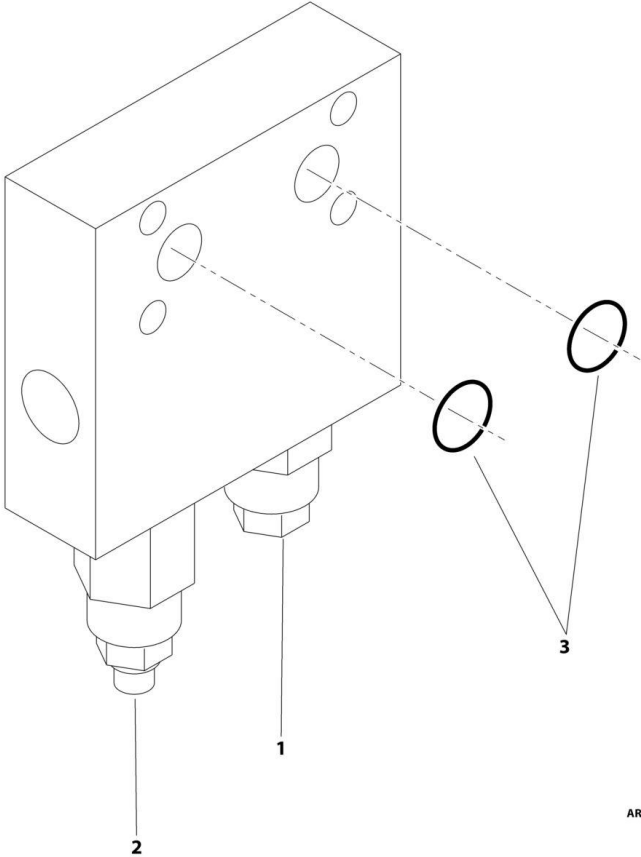
SECTION 6 - CYLINDER

FIGURE 6-14. TELESCOPE CYLINDER ASSEMBLY - E450AJ/M450AJ

ITEM	PART NUMBER	QTY	DESCRIPTION	REV
	1001151368	Ref	TELESCOPE CYLINDER ASSEMBLY	B
1	0100011	AR	Compound, Locking	
2	0100038	AR	Primer, Locking	
3	1001151386	1	Barrel, Weldment	
3A	1120110	1	Cap, End	
4	1683802	1	Rod, Weldment	
5	3480239	1	Piston	
6	4566027	1	Spacer	
7	3322205	1	Nut, Lock, 3/4-16	
8	1683584	1	Head	
9	2220883	1	Plug	
10	2220596	1	Fitting, 90 JIC/ORB	
11	2220517	1	Fitting, Cap	
12	2220628	1	Fitting, 90 JIC/ORB	
13	2220516	1	Fitting, Cap	
14	4640807	1	Counterbalance Valve Assembly (See COUNTERBALANCE VALVE ASSEMBLY for Breakdown)	
15	0641512	4	Bolt, 5/16-18 X 1-1/2	
16	See Note	1	O-Ring (Note: Use p/n 1001152230)	
17	1001152230	1	Seal Kit (Includes Items 16 & 101-108)	
101	See Note	2	Ring, Wear (Note: Use p/n 1001152230)	
102	See Note	1	Seal, Cap (Note: Use p/n 1001152230)	
103	See Note	1	O-Ring (Note: Use p/n 1001152230)	
104	See Note	1	Ring, Wear (Note: Use p/n 1001152230)	
105	See Note	1	O-Ring (Note: Use p/n 1001152230)	
106	See Note	1	Seal, Rod (Note: Use p/n 1001152230)	
107	See Note	1	Wiper, Rod (Note: Use p/n 1001152230)	
108	See Note	1	Ring, Back-Up (Note: Use p/n 1001152230)	

SECTION 6 - CYLINDER

FIGURE 6-15. COUNTERBALANCE VALVE ASSEMBLY



ART_4640807

SECTION 6 - CYLINDER

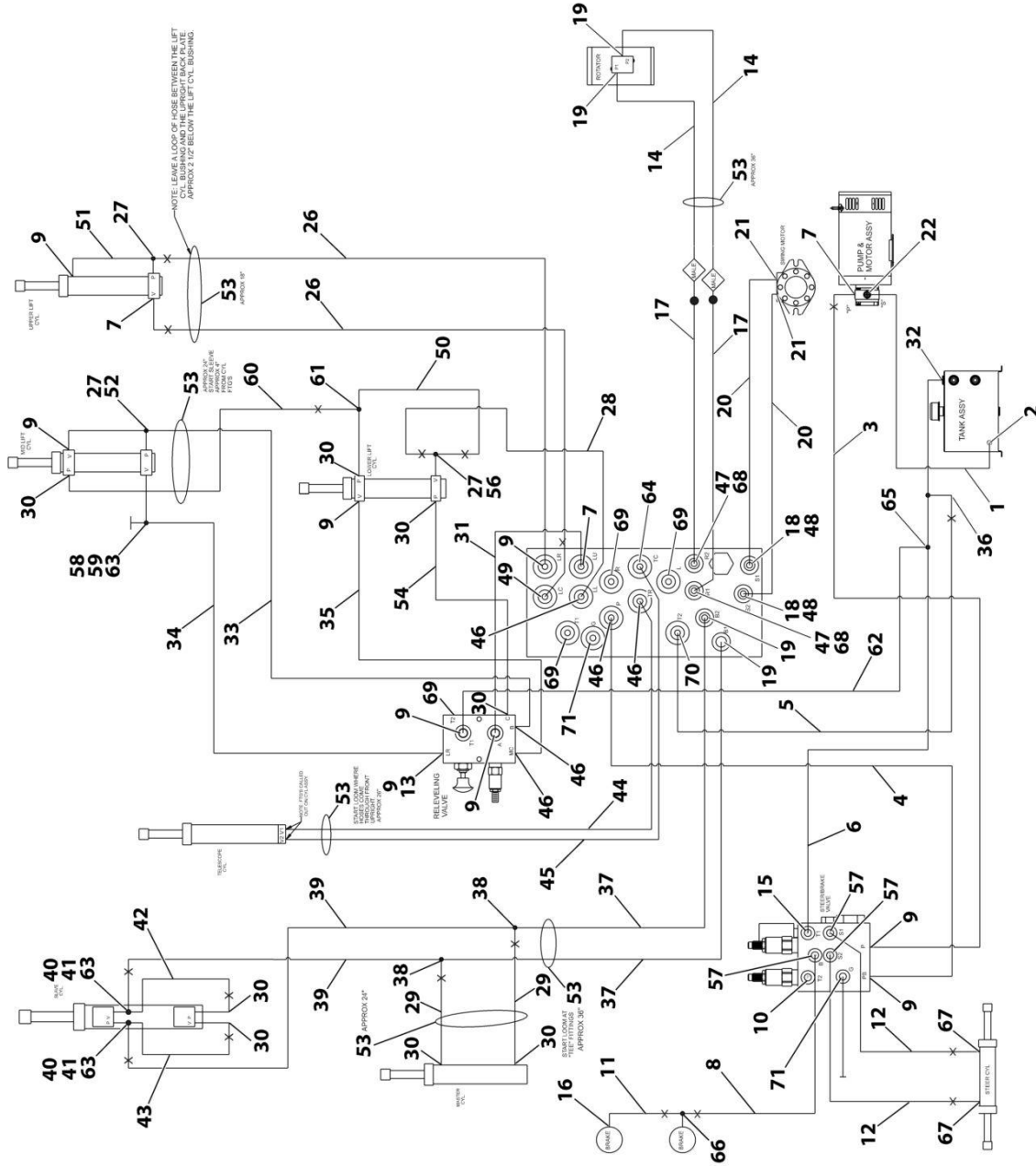
FIGURE 6-15. COUNTERBALANCE VALVE ASSEMBLY

ITEM	PART NUMBER	QTY	DESCRIPTION	REV
	4640807	Ref	COUNTERBALANCE VALVE ASSEMBLY	D
1	4640771	1	Cartridge, Counterbalance	
1	2900770	1	Seal Kit - 4640771 Cartridge	
2	4640709	1	Cartridge, Vented Counterbalance	
2	2900770	1	Seal Kit - 4640709 Cartridge	
3	3790113	2	O-Ring (Between Valve and Cylinder Block)	

SECTION 7 - HYDRAULIC

SECTION 7 - HYDRAULIC

FIGURE 7-1. HYDRAULIC DIAGRAM - E450A



ART_1001169635

SECTION 7 - HYDRAULIC

FIGURE 7-1. HYDRAULIC DIAGRAM - E450A

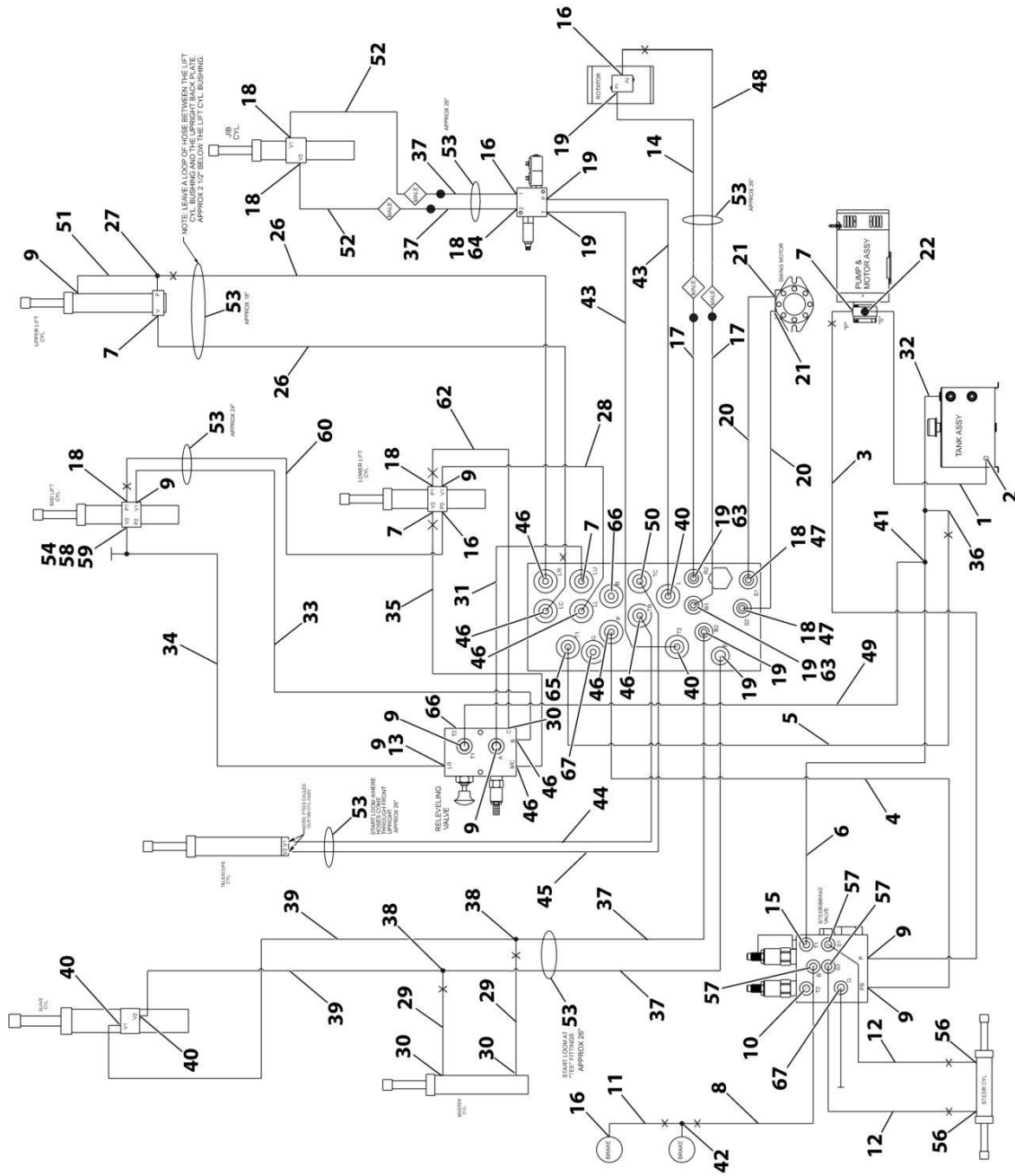
ITEM	PART NUMBER	QTY	DESCRIPTION	REV
	1001169635	Ref	HYDRAULIC DIAGRAM - E450A	C
1	2753973	1	Hose	
2	2220498	1	Fitting, 45 JIC/ORB	
3	1001152635	1	Hose	
4	2750916	1	Hose	
5	1001177666	1	Hose	
6	2752467	1	Hose	
7	2220371	3	Fitting, Straight, JIC/ORB	
8	2752589	1	Hose	
9	2220473	9	Fitting, 90 JIC/ORB	
10	2220885	1	Plug	
11	1001109687	1	Hose	
12	2752453	2	Hose	
13	2220507	1	Fitting, 90 JIC/JIC	
14	2753326	2	Hose	
15	2220371	1	Fitting, Straight, JIC/ORB	
16	2220466	1	Fitting, 90 JIC/ORB	
17	2752795	2	Hose	
18	2220415	2	Fitting, Straight JIC/ORB	
19	2220502	4	Fitting, 45 JIC/ORB	
20	2752459	2	Hose	
21	2221033	2	Fitting, Straight JIC/ORB	
22	2220593	1	Fitting, Straight JIC/ORB	
26	2753050	2	Hose	
27	2220899	3	Fitting, Tee JIC/ORB/JIC	
28	2752620	1	Hose	
29	2752580	2	Hose	
30	2220472	8	Fitting, 90 JIC/ORB	
31	2750910	1	Hose	
32	2220999	1	Fitting, Tee JIC/ORB/JIC	
33	2751127	1	Hose	
34	2751126	1	Hose	
35	2752475	1	Hose	
36	2220386	1	Fitting, 90 JIC/JIC	
37	2752585	2	Hose	
38	2220504	2	Fitting, Tee JIC/JIC/JIC	
39	2752572	2	Hose	
40	2220727	2	Fitting, Reducer ORB	
41	2220684	2	Fitting, Tee NPT/JIC/JIC	
42	2752435	1	Hose	
43	2752573	1	Hose	
44	2750996	1	Hose	
45	2751508	1	Hose	
46	2220501	5	Fitting, 45 JIC/ORB	
47	2220502	2	Fitting, 45 JIC/ORB	
48	2220677	2	Fitting, 45 JIC/JIC	
49	2221147	1	Fitting, 90 JIC/ORB	
50	2752581	1	Hose	
51	4566188	1	Tube	
52	4566623	1	Tube	

SECTION 7 - HYDRAULIC

ITEM	PART NUMBER	QTY	DESCRIPTION	REV
53	4100026	13.7 ft/4.2m	Nylon, Sleeve	
54	2752983	1	Hose	
55	1702124	1	Hose, Tag (Not Shown)	
56	2220609	1	Fitting, Straight JIC/JIC	
57	2220415	3	Fitting, Straight JIC/ORB	
58	2220934	1	Fitting, Tee JIC/ORB/NPT	
59	4640861	1	Bleeder, Kit	
60	2752440	1	Hose	
61	2220605	1	Fitting, Tee JIC/JIC/JIC	
62	2750915	1	Hose	
63	0100020	AR	Sealant	
64	2220600	1	Fitting, Straight JIC/ORB	
65	2221054	1	Fitting, Tee JIC/JIC/JIC	
66	2220711	1	Fitting, Tee JIC/ORB/JIC	
67	2220582	2	Fitting, Straight JIC/ORB	
68	2220909	2	Fitting, Restrictor	
69	2220237	4	Plug, ORB	
70	1001136881	1	Fitting, 45 JIC/ORB	
71	2221086	2	Fitting, Nipple	

SECTION 7 - HYDRAULIC

FIGURE 7-2. HYDRAULIC DIAGRAM - E450AJ



ART_1001169637

SECTION 7 - HYDRAULIC

FIGURE 7-2. HYDRAULIC DIAGRAM - E450AJ

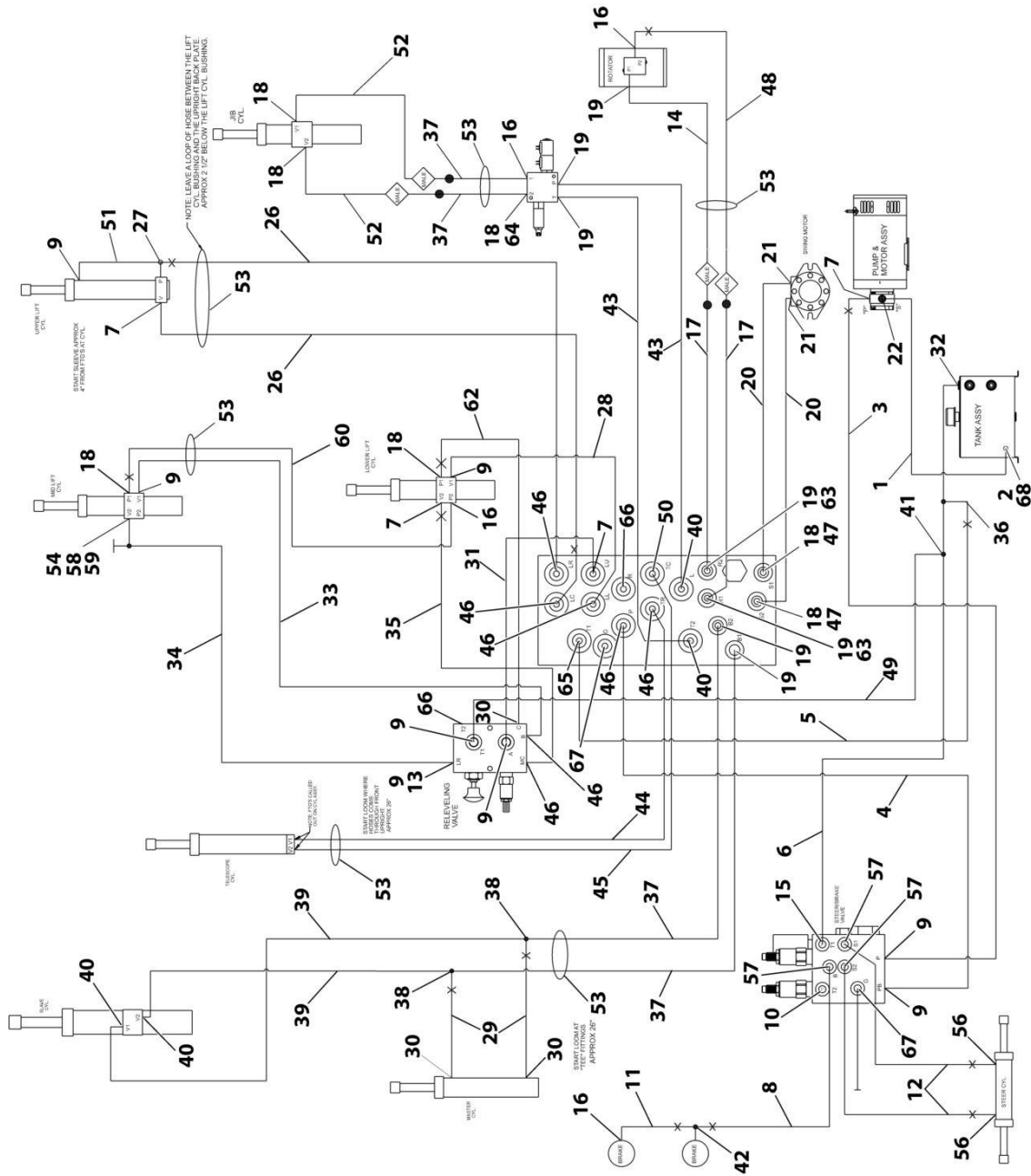
ITEM	PART NUMBER	QTY	DESCRIPTION	REV
	1001169637	Ref	HYDRAULIC DIAGRAM - E450AJ	C
1	2753973	1	Hose	
2	2220498	1	Fitting, 45 JIC/ORB	
3	1001152635	1	Hose	
4	2750916	1	Hose	
5	1001177666	1	Hose	
6	2752467	1	Hose	
7	2220371	4	Fitting, Straight JIC/ORB	
8	2752589	1	Hose	
9	2220473	8	Fitting, 90 JIC/ORB	
10	2220885	1	Plug	
11	1001109687	1	Hose	
12	2752453	2	Hose	
13	2220507	1	Fitting, 90 JIC/JIC	
14	2753304	1	Hose	
15	2220371	1	Fitting, Straight JIC/ORB	
16	2220466	4	Fitting, 90 JIC/ORB	
17	2752795	2	Hose	
18	2220415	7	Fitting, Straight JIC/ORB	
19	2220502	7	Fitting, 45 JIC/ORB	
20	2752459	2	Hose	
21	2221033	2	Fitting, Straight JIC/ORB	
22	2220593	1	Fitting, Straight JIC/ORB	
26	2753050	2	Hose	
27	2220899	1	Fitting, Tee JIC/ORB/JIC	
28	2752466	1	Hose	
29	2752437	2	Hose	
30	2220472	3	Fitting, 90 JIC/ORB	
31	2750910	1	Hose	
32	2220999	1	Fitting, Tee JIC/ORB/JIC	
33	2753301	1	Hose	
34	2751009	1	Hose	
35	2752611	1	Hose	
36	2220386	1	Fitting, 90 JIC/JIC	
37	2752585	4	Hose	
38	2220504	2	Fitting, Tee JIC/JIC/JIC	
39	2753302	2	Hose	
40	2220582	4	Fitting, Straight JIC/ORB	
41	2221054	1	Fitting, Tee JIC/JIC/JIC	
42	2220711	1	Fitting, Tee JIC/ORB/JIC	
43	2752430	2	Hose	
44	2750996	1	Hose	
45	2751508	1	Hose	
46	2220501	7	Fitting, 45 JIC/ORB	
47	2220677	2	Fitting, 45 JIC/JIC	
48	2753305	1	Hose	
49	2750915	1	Hose	
50	2220600	1	Fitting, Straight JIC/ORB	
51	4567946	1	Tube	
52	2753303	2	Hose	

SECTION 7 - HYDRAULIC

ITEM	PART NUMBER	QTY	DESCRIPTION	REV
53	4100026	12.2 ft/3.7m	Nylon, Sleeve	
54	0100020	AR	Sealant	
55	1702124	1	Hose, Tag (Not Shown)	
56	2220582	2	Fitting, Straight JIC/ORB	
57	2220415	3	Fitting, Straight JIC/ORB	
58	2220934	1	Fitting, Tee JIC/ORB/NPT	
59	4640861	1	Bleeder Kit	
60	2751414	1	Hose	
61	2220873	1	Fitting, Straight ORB/NPT	
62	2752600	1	Hose	
63	2220909	2	Fitting, Restrictor	
64	2220654	1	Fitting, 90 JIC/JIC	
65	2220499	1	Fitting, 45 JIC/ORB	
66	2220237	2	Plug, ORB	
67	2221086	2	Fitting, Nipple	

SECTION 7 - HYDRAULIC

FIGURE 7-3. HYDRAULIC DIAGRAM - M450AJ



ART_1001169639

SECTION 7 - HYDRAULIC

FIGURE 7-3. HYDRAULIC DIAGRAM - M450AJ

ITEM	PART NUMBER	QTY	DESCRIPTION	REV
	1001169639	Ref	HYDRAULIC DIAGRAM - M450AJ	B
1	2752675	1	Hose	
2	1320033	1	Clamp	
3	2752486	1	Hose	
4	2752466	1	Hose	
5	2752519	1	Hose	
6	2752462	1	Hose	
7	2220371	4	Fitting, Straight JIC/ORB	
8	2753010	1	Hose	
9	2220473	8	Fitting, 90 JIC/ORB	
10	2220885	1	Plug	
11	1001109687	1	Hose	
12	2752574	2	Hose	
13	2220507	1	Fitting, 90 JIC/JIC	
14	2753304	1	Hose	
15	2220371	1	Fitting, Straight JIC/ORB	
16	2220466	4	Fitting, 90 JIC/ORB	
17	2752795	2	Hose	
18	2220415	7	Fitting, Straight JIC/ORB	
19	2220502	7	Fitting, 45 JIC/ORB	
20	2752459	2	Hose	
21	2221033	2	Fitting, Straight JIC/ORB	
22	2220593	1	Fitting, Straight JIC/ORB	
26	2753050	2	Hose	
27	2220899	1	Fitting, Tee JIC/ORB/JIC	
28	2752466	1	Hose	
29	2752437	2	Hose	
30	2220472	3	Fitting, 90 JIC/ORB	
31	2750910	1	Hose	
32	2220999	1	Fitting, Tee JIC/ORB/JIC	
33	2753301	1	Hose	
34	2751009	1	Hose	
35	2752611	1	Hose	
36	2220386	1	Fitting, 90 JIC/JIC	
37	2752585	4	Hose	
38	2220504	2	Fitting, Tee JIC/JIC/JIC	
39	2753302	2	Hose	
40	2220582	4	Fitting, Straight JIC/ORB	
41	2221054	1	Fitting, Tee JIC/JIC/JIC	
42	2220711	1	Fitting, Tee JIC/ORB/JIC	
43	2752430	2	Hose	
44	2750996	1	Hose	
45	2751508	1	Hose	
46	2220501	7	Fitting, 45 JIC/ORB	
47	2220677	2	Fitting, 45 JIC/JIC	
48	2753305	1	Hose	
49	2752466	1	Hose	
50	2220600	1	Fitting, Straight JIC/ORB	
51	4567946	1	Tube	
52	2753303	2	Hose	

SECTION 7 - HYDRAULIC

ITEM	PART NUMBER	QTY	DESCRIPTION	REV
53	4100026	12.2 ft/3.7m	Nylon, Sleeve	
54	0100020	AR	Sealant	
55	1702124	1	Hose, Tag (Not Shown)	
56	2220582	2	Fitting, Straight JIC/ORB	
57	2220415	3	Fitting, Straight JIC/ORB	
58	2220934	1	Fitting, Tee JIC/ORB/NPT	
59	4640861	1	Bleeder Kit	
60	2751414	1	Hose	
61	2220873	1	Fitting, Straight ORB/NPT	
62	2752600	1	Hose	
63	2220909	2	Fitting, Restrictor	
64	2220654	1	Fitting, 90 JIC/JIC	
65	2220499	1	Fitting, 45 JIC/ORB	
66	2220237	2	Plug, ORB	
67	2221086	2	Fitting, Nipple	
68	4061032	1	Shield, Hose	

SECTION 7 - HYDRAULIC

FIGURE 7-4. HYDRAULIC DIAGRAM LIST

ITEM	PART NUMBER	QTY	DESCRIPTION	REV
		Ref	Note: Diagrams are available from JLG Service/Parts Department.	
	1001169635	Ref	Hydraulic Diagram - E450A	
	1001169637	Ref	Hydraulic Diagram - E450AJ	
	1001169639	Ref	Hydraulic Diagram - M450AJ	
	2792505	Ref	Hydraulic, Schematic	

SECTION 8 - ELECTRICAL

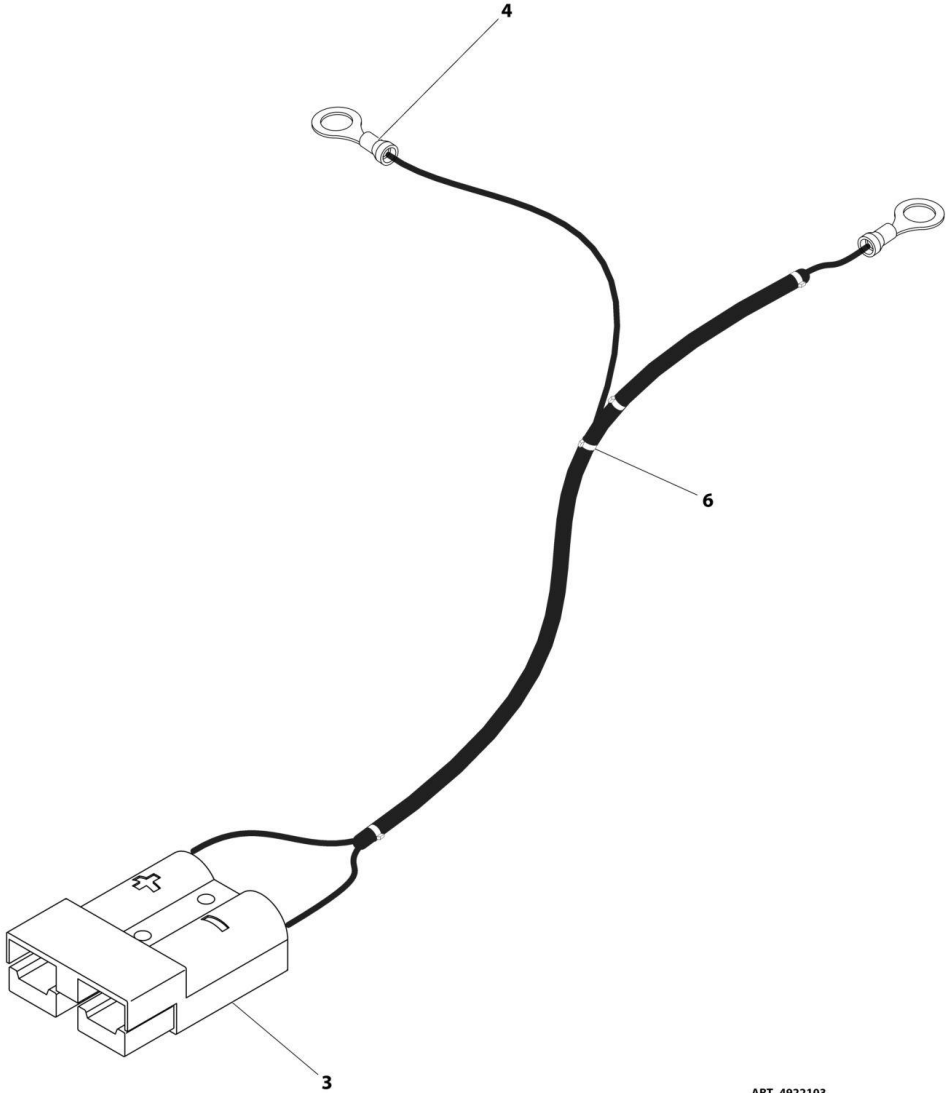
SECTION 8 - ELECTRICAL

FIGURE 8-1. ELECTRICAL DIAGRAM LIST

ITEM	PART NUMBER	QTY	DESCRIPTION	REV
		Ref	Note: Diagrams not shown are available from the JLG Service Department.	
	4933388	Ref	GROUND CONTROL BOX WIRING DIAGRAM	
	4933060	Ref	PLATFORM ELECTRICAL DIAGRAM	
	4933181	Ref	PLATFORM ELECTRICAL DIAGRAM - UL LISTED	

SECTION 8 - ELECTRICAL

FIGURE 8-2. BATTERY CHARGER HARNESS



ART_4922103

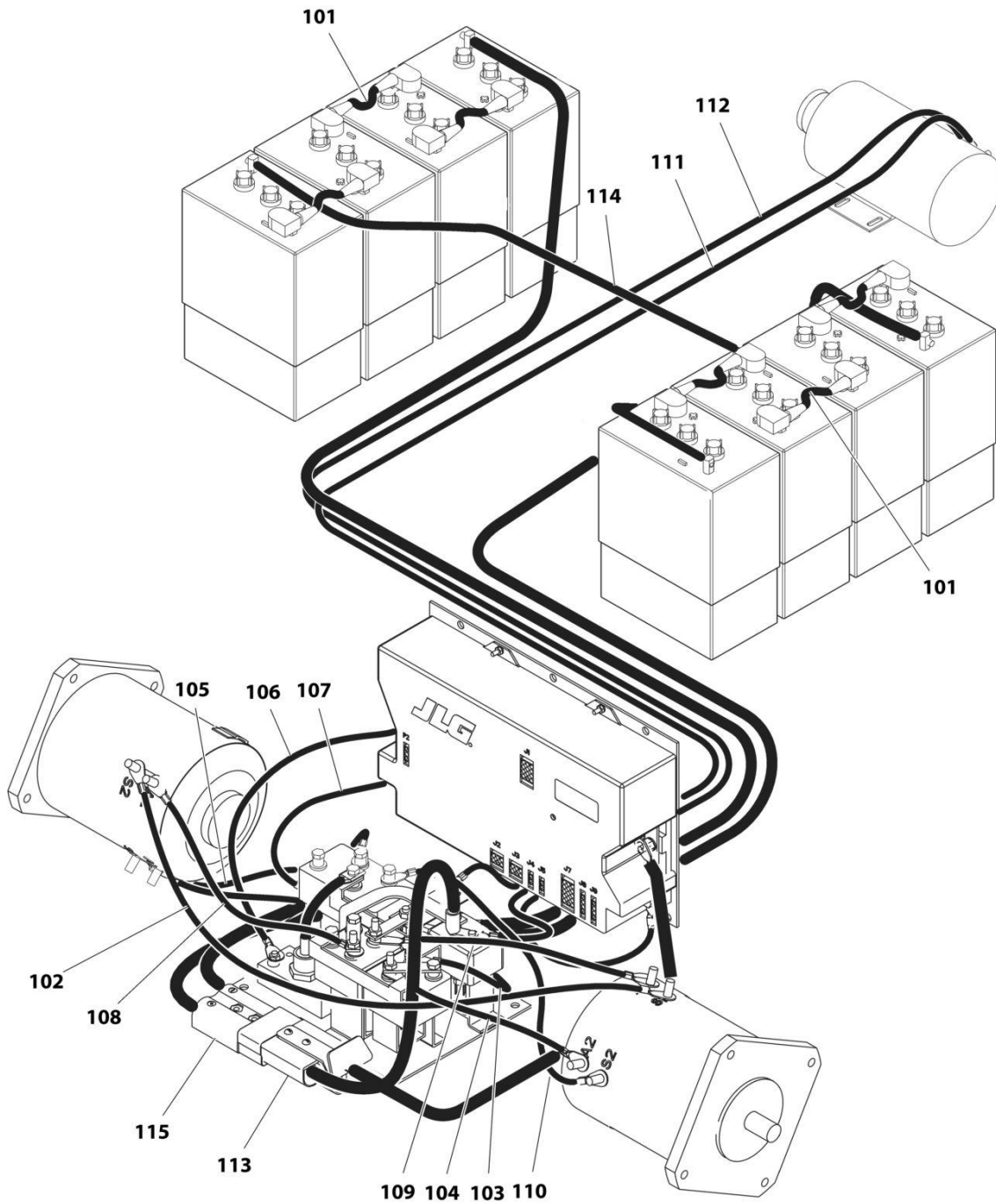
SECTION 8 - ELECTRICAL

FIGURE 8-2. BATTERY CHARGER HARNESS

ITEM	PART NUMBER	QTY	DESCRIPTION	REV
	4922103	Ref	BATTERY CHARGER HARNESS	A
3	4460444	1	Connector, Anderson	
4	4460738	2	Terminal	
6	4240033	4	Tie-Strap	

SECTION 8 - ELECTRICAL

FIGURE 8-3. CONTACTOR CABLE KIT - E450A/E450AJ



ART_1001176310

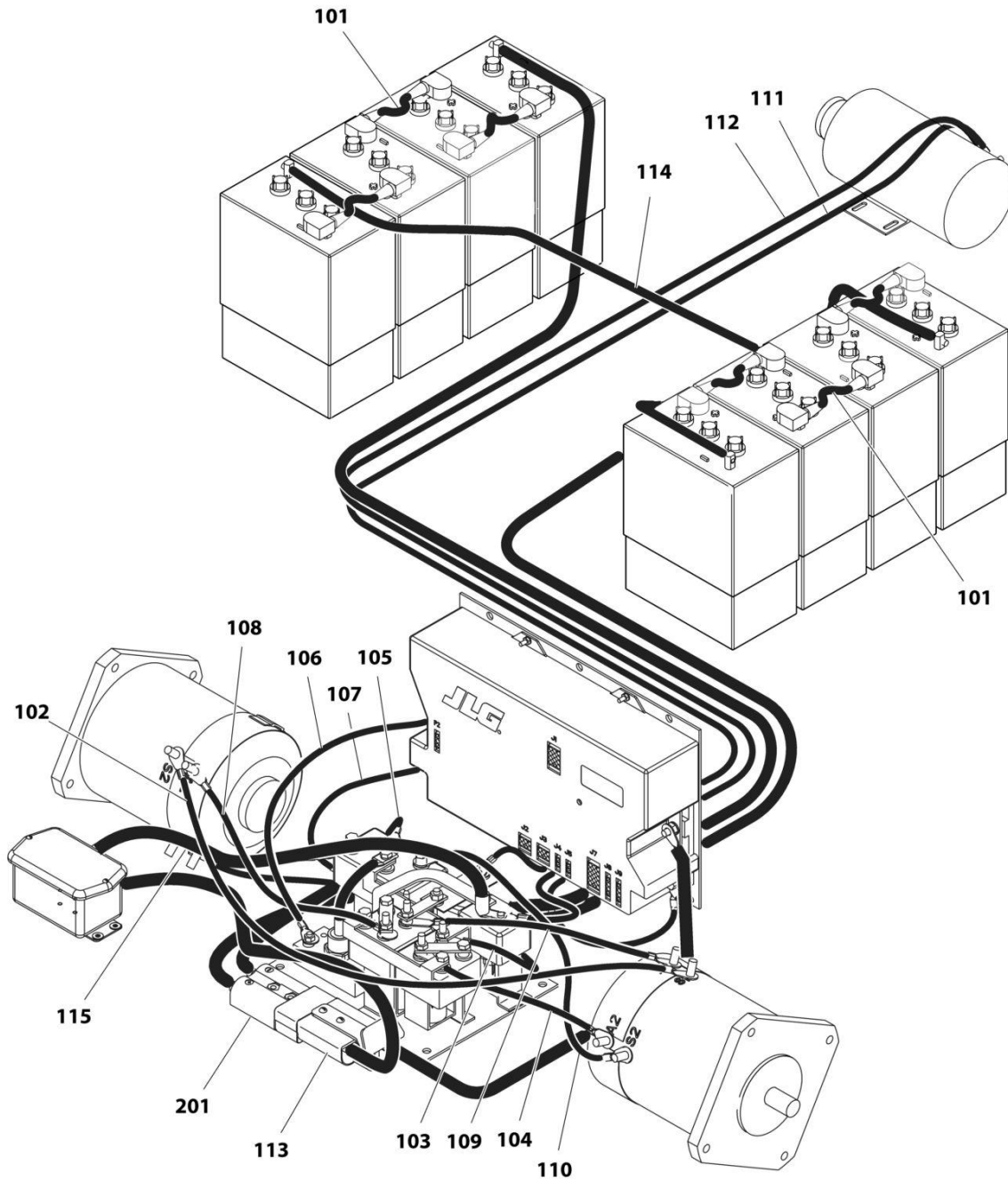
SECTION 8 - ELECTRICAL

FIGURE 8-3. CONTACTOR CABLE KIT - E450A/E450AJ

ITEM	PART NUMBER	QTY	DESCRIPTION	REV
	1001176310	Ref	CONTACTOR CABLE KIT	A
101	1060092	6	Cable, Battery	
102	1060717	1	Cable, Electrical (Motor B S2 to Motor A S1)	
103	1060718	1	Cable, Electrical (Motor B A1 to Contactor Plate MB2)	
104	1060719	1	Cable, Electrical (Motor A A2 to Contactor Plate MA2)	
105	1001171290	1	Cable, Electrical (Motor B S1 to Contactor Plate SA1)	
106	1060721	1	Cable, Electrical (Power Module A to Contactor Plate B+)	
107	1060722	1	Cable, Electrical (Power Module B+ to Contactor Plate A)	
108	1060723	1	Cable, Electrical (Motor B A2 to Contactor Plate MB1)	
109	1060724	1	Cable, Electrical (Motor A A1 to Contactor Plate MA1)	
110	1001171289	1	Cable, Electrical (Motor A S2 to Contactor Plate SB1)	
111	1001167433	1	Cable, Electrical (Contactor Plate P2 to Hydraulic Pump Motor +)	
112	1001167434	1	Cable, Electrical (Power Module to Hydraulic Pump Motor -)	
113	1060810	1	Cable, Electrical (Contactor Plate to Battery Connector)	
114	1060811	1	Cable, Electrical (Battery to Battery)	
115	1060809	1	Cable, Electrical (Battery Connector to Batteries)	

SECTION 8 - ELECTRICAL

FIGURE 8-4. CONTACTOR PLATE KIT - E450A/E450AJ - UL/EE



ART_1001176309

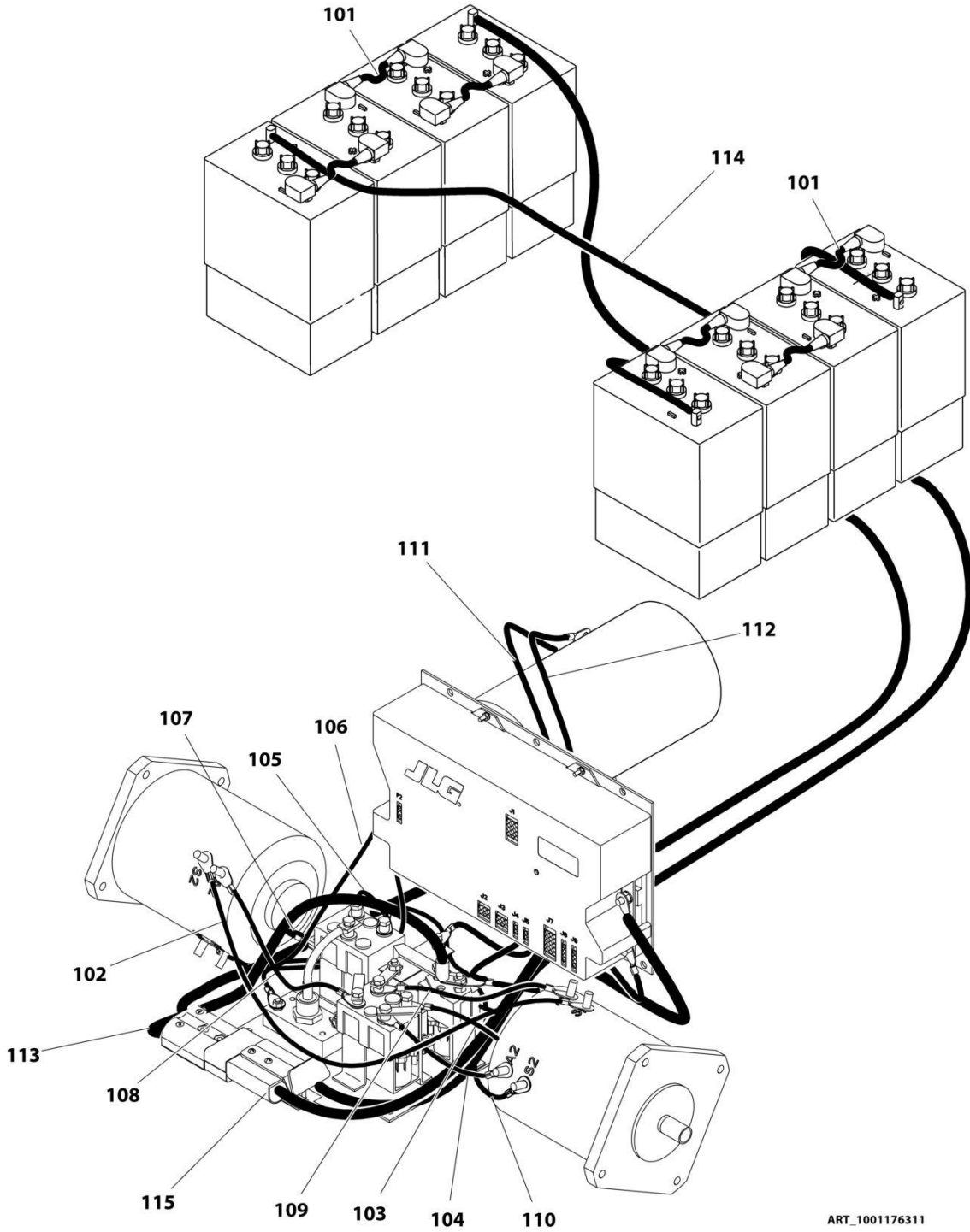
SECTION 8 - ELECTRICAL

FIGURE 8-4. CONTACTOR PLATE KIT - E450A/E450AJ - UL/EE

ITEM	PART NUMBER	QTY	DESCRIPTION	REV
	1001176309	Ref	CONTACTOR CABLE KIT - E450/E450AJ - UL LISTED	A
101	1060092	6	Cable, Battery	
102	1060835	1	Cable, Electrical (Motor B S2 to Motor A S1)	
103	1060836	1	Cable, Electrical (Motor B A1 to Contactor Plate MB2)	
104	1060837	1	Cable, Electrical (Motor A A2 to Contactor Plate MA2)	
105	1001167426	1	Cable, Electrical (Motor B S1 to Contactor Plate SA1)	
106	1060839	1	Cable, Electrical (Power Module A to Contactor Plate)	
107	1060840	1	Cable, Electrical (Power Module B+ to Contactor Plate)	
108	1060841	1	Cable, Electrical (Motor B A2 to Contactor Plate MB1)	
109	1060842	1	Cable, Electrical (Motor A A1 to Contactor Plate MA1)	
110	1001167431	1	Cable, Electrical (Motor A S2 to Contactor Plate SB1)	
111	1001171292	1	Cable, Electrical (Contactor Plate P2 to Hydraulic Pump Motor +)	
112	1001171291	1	Cable, Electrical (Power Module to Hydraulic Pump Motor -)	
113	1060810	1	Cable, Electrical (Power Module to Batteries)	
114	1060811	1	Cable, Electrical (Battery to Battery)	
115	1060847	1	Cable, Electrical (Jumper, Fuse)	
201	1060809	1	Cable, Battery	

SECTION 8 - ELECTRICAL

FIGURE 8-5. CONTACTOR CABLE KIT - M450A



ART_1001176311

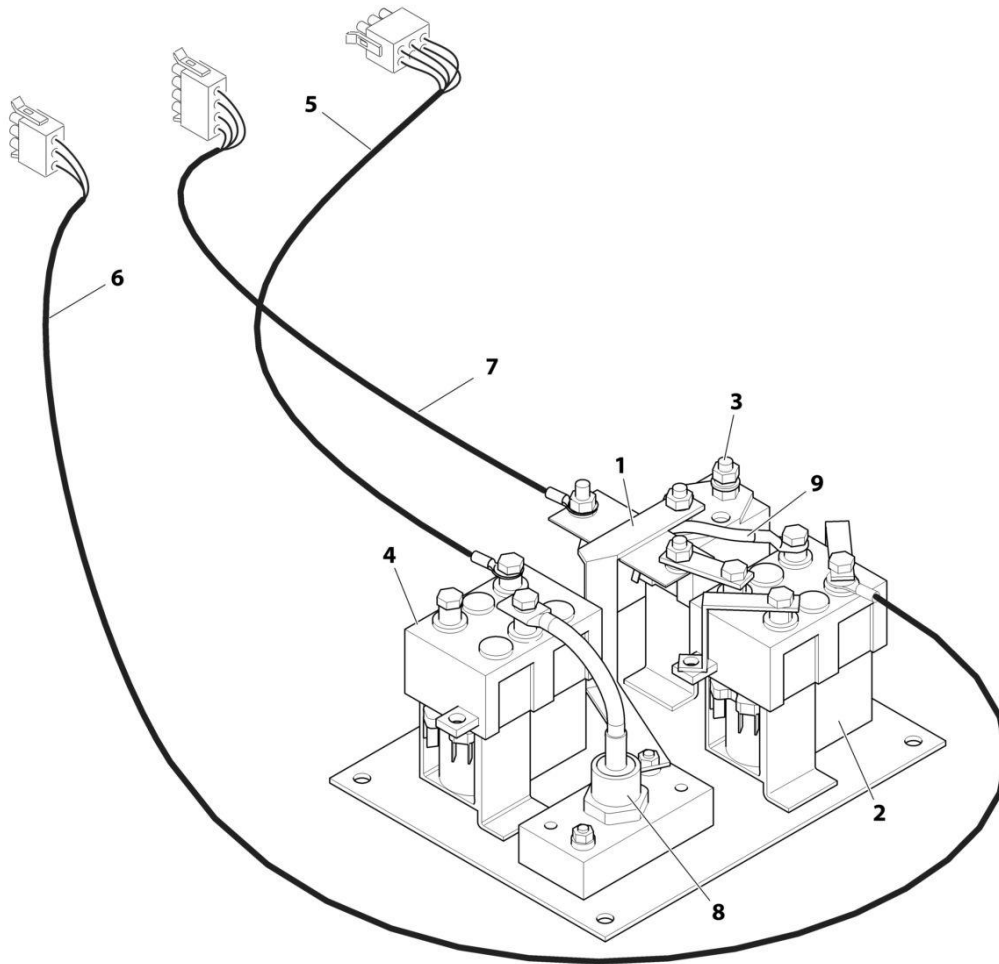
SECTION 8 - ELECTRICAL

FIGURE 8-5. CONTACTOR CABLE KIT - M450A

ITEM	PART NUMBER	QTY	DESCRIPTION	REV
	1001176311	Ref	CONTACTOR CABLE KIT - M450AJ	A
101	1060092	6	Cable, Battery	
102	1060717	1	Cable, Electrical (Motor B S2 to Motor A S1)	
103	1060718	1	Cable, Electrical (Motor B A1 to Contactor Plate MB2)	
104	1060719	1	Cable, Electrical (Motor A A2 to Contactor Plate MA2)	
105	1001171290	1	Cable, Electrical (Motor B S1 to Contactor Plate SA1)	
106	1060721	1	Cable, Electrical (Power Module A to Contactor Plate B+)	
107	1060722	1	Cable, Electrical (Power Module B+ to Contactor Plate A)	
108	1060723	1	Cable, Electrical (Motor B A2 to Contactor Plate MB1)	
109	1060724	1	Cable, Electrical (Motor A A1 to Contactor Plate MA1)	
110	1001171289	1	Cable, Electrical (Motor A S2 to Contactor Plate SB1)	
111	1060728	1	Cable, Electrical (Contactor Plate P2 to Hydraulic Pump Motor +)	
112	1001171293	1	Cable, Electrical (Power Module to Hydraulic Pump Motor -)	
113	1060810	1	Cable, Electrical (Contactor Plate to Battery Connector)	
114	1060811	1	Cable, Electrical (Battery to Battery)	
115	1060809	1	Cable, Electrical (Battery connector to Batteries)	

SECTION 8 - ELECTRICAL

FIGURE 8-6. CONTACTOR PLATE ASSEMBLY AND HARNESSES



ART_1600294

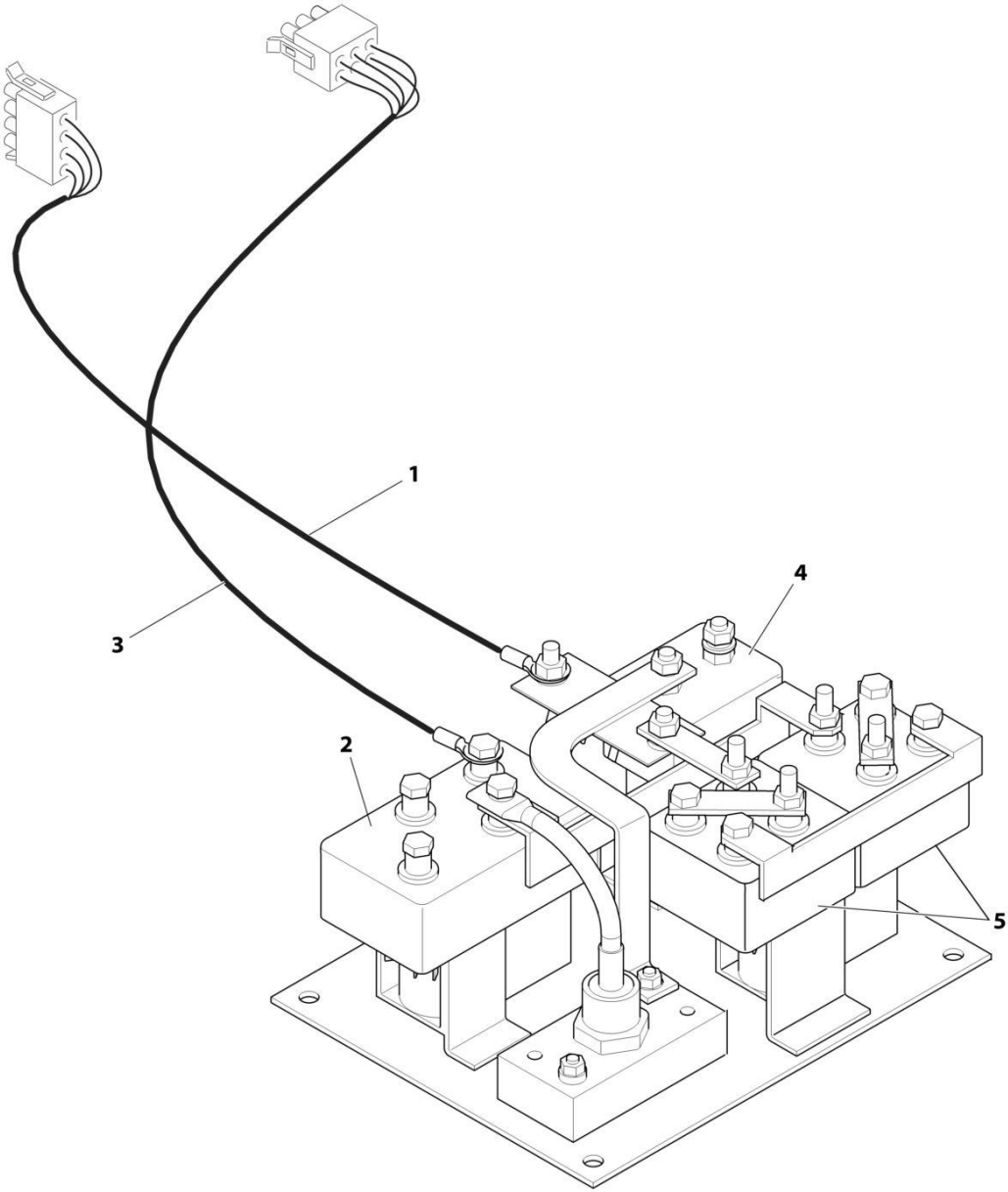
SECTION 8 - ELECTRICAL

FIGURE 8-6. CONTACTOR PLATE ASSEMBLY AND HARNESSSES

ITEM	PART NUMBER	QTY	DESCRIPTION	REV
	1600294	Ref	CONTACTOR PLATE ASSEMBLY	E
1	70001052	1	Harness, Shunt/Bus Bar Assembly	
2	7022000	1	Contactor (Posi-Track)	
3	7022001	1	Contactor (Main)	
4	7022002	1	Contactor (Forward/Reverse)	
5	7022003	1	Harness, Contactor	
5	4460225	1	Connector - 3 Position	
5	4460226	6	Socket, Female	
6	7022004	1	Harness, Posi-Track Contactor	
6	4460326	1	Connector - 3 Position	
6	4460227	3	Pin, Male	
7	7022005	1	Harness, Shunt	
7	4460321	1	Connector - 4 Position	
7	4460227	4	Pin, Male	
8	7022011	1	Diode, Power	
9	7022012	1	Cable, Power	

SECTION 8 - ELECTRICAL

FIGURE 8-7. CONTACTOR PLATE ASSEMBLY AND HARNESSSES - UL



ART_1600300

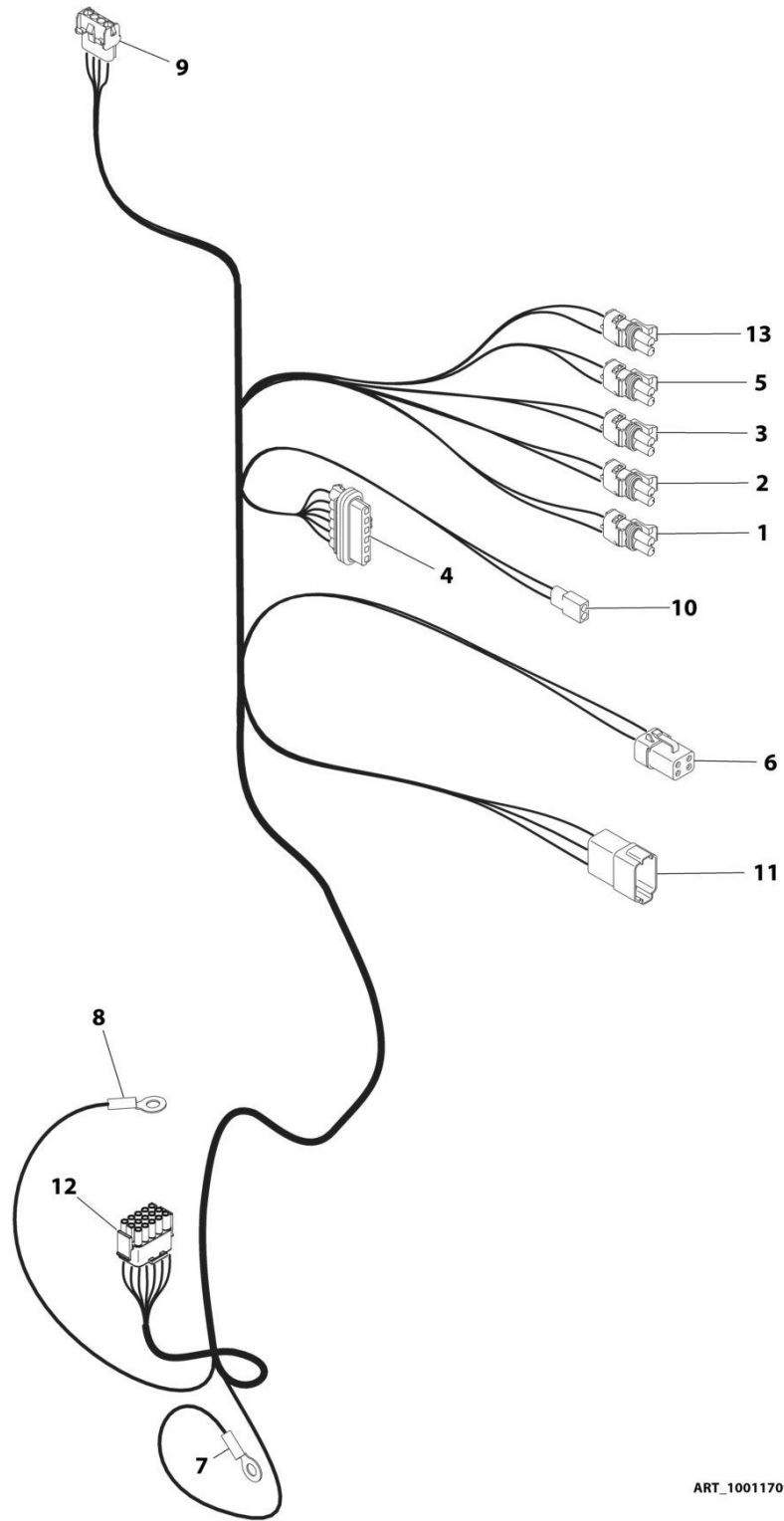
SECTION 8 - ELECTRICAL

FIGURE 8-7. CONTACTOR PLATE ASSEMBLY AND HARNESSSES - UL

ITEM	PART NUMBER	QTY	DESCRIPTION	REV
	1600300	Ref	CONTACTOR PLATE ASSEMBLY AND HARNESSSES - UL LISTED	
1	7022005	1	Harness, Shunt	
1	4460321	1	Connector - 4 Position	
1	4460227	4	Pin, Male	
2	7022007	1	Contactor, (Forward/Reverse)	
3	7022008	1	Harness, Contactor	
3	4460225	1	Connector - 6 Position	
3	4460226	6	Socket, Female	
4	7022009	1	Contactor (Main)	
5	7022010	2	Contactor (Posi-Track)	

SECTION 8 - ELECTRICAL

FIGURE 8-8. STEER BRAKE HARNESS - E450A/E450AJ



ART_1001170991

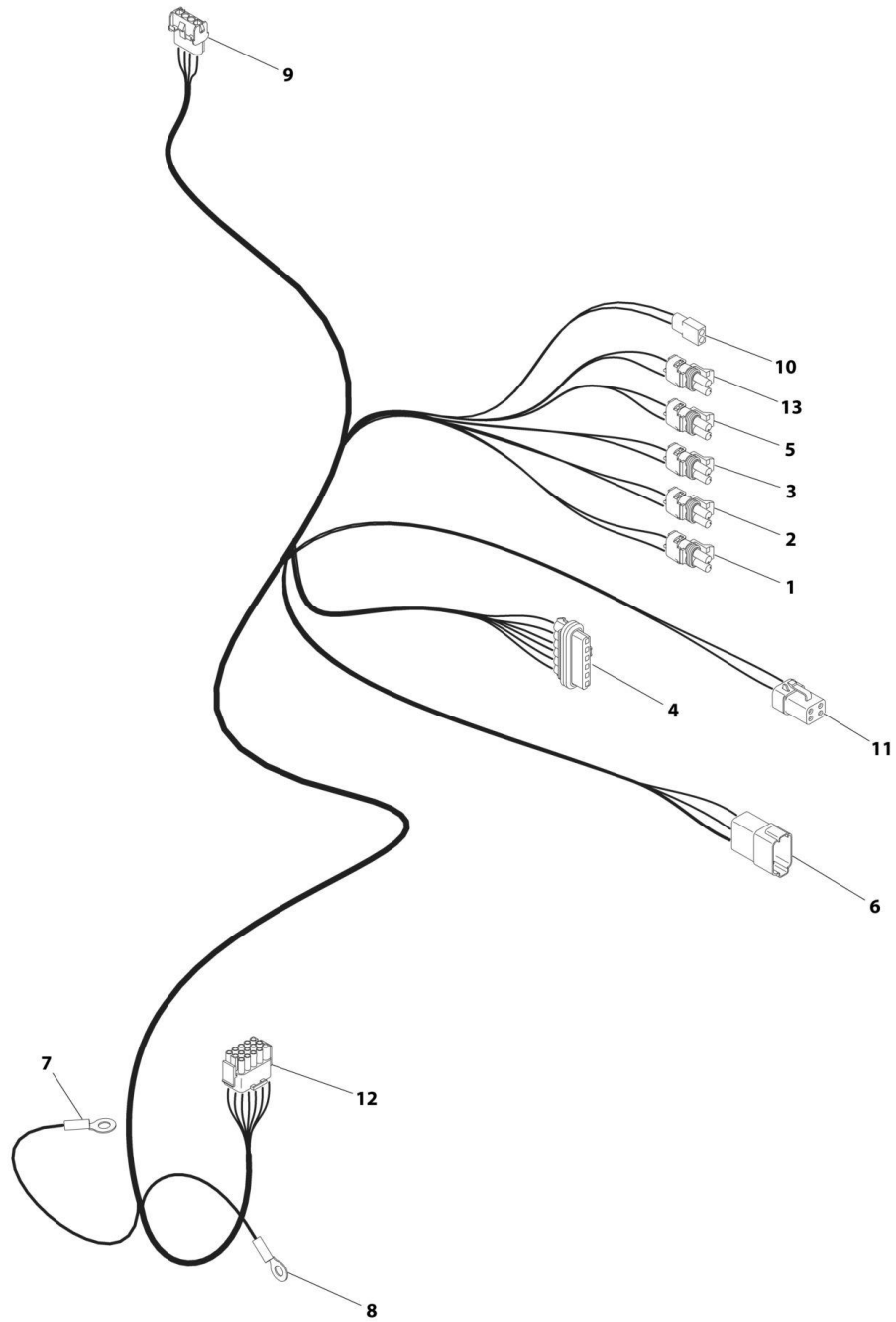
SECTION 8 - ELECTRICAL

FIGURE 8-8. STEER BRAKE HARNESS - E450A/E450AJ

ITEM	PART NUMBER	QTY	DESCRIPTION	REV
	1001170991	Ref	STEER/BRAKE HARNESS - 4450A/E450AJ	A
1	4460742	1	Connector - 2 Position	
1	4460743	2	Terminal, Female	
1	4460458	2	Seal	
2	4460742	1	Connector - 2 Position	
2	4460743	2	Terminal, Female	
2	4460458	2	Seal	
3	4460742	1	Connector - 2 Position	
3	4460743	2	Terminal, Female	
3	4460458	2	Seal	
4	4460744	1	Connector - 6 Position	
4	4460749	1	Cap, Shell	
4	4460750	1	Bar, Buss - 6 Position	
4	4460745	1	Lock, Secondary	
4	4460751	1	Clip, Mounting	
4	4460746	5	Socket, Female	
4	4460458	5	Seal	
4	4460748	1	Plug, Terminal	
5	4460742	1	Connector - 2 Position	
5	4460743	2	Terminal, Female	
5	4460458	2	Seal	
6	4460931	1	Connector - 8 Position	
6	4460464	6	Pin, Male	
6	4460466	2	Plug, Seal	
7	4460738	1	Ring, Terminal	
8	4460738	1	Ring, Terminal	
9	4460761	1	Connector - 4 Position	
9	4460227	4	Pin, Male	
10	4460424	1	Connector - 2 Position	
10	4460227	2	Pin, Male	
11	1001116810	1	Connector - 4 Position	
11	4460509	2	Socket, Female	
11	4460466	2	Plug, Seal	
12	4460434	1	Connector - 15 Position	
12	4460226	7	Pin, Male	
13	4460742	1	Connector - 2 Position	
13	4460743	2	Terminal, Female	
13	4460458	2	Seal	

SECTION 8 - ELECTRICAL

FIGURE 8-9. MOTOR/STEER/BRAKE HARNESS - M450AJ



ART_1001171115

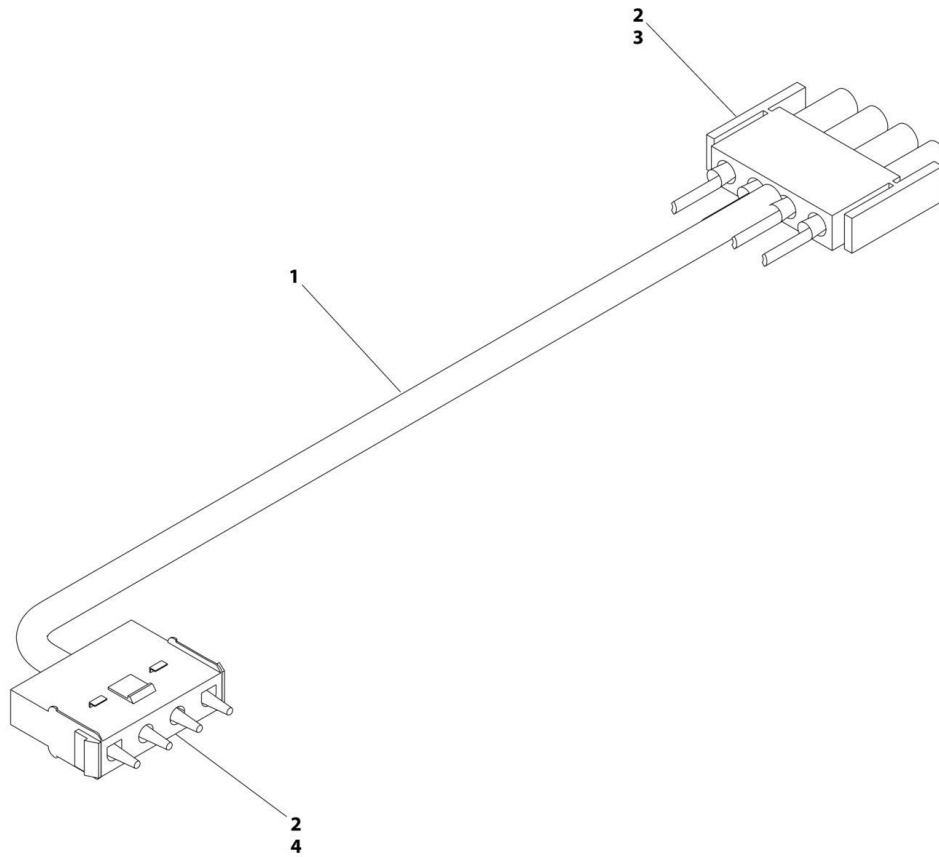
SECTION 8 - ELECTRICAL

FIGURE 8-9. MOTOR/STEER/BRAKE HARNESS - M450AJ

ITEM	PART NUMBER	QTY	DESCRIPTION	REV
	1001171115	Ref	MOTOR/STEER/BRAKE HARNESS - M450AJ	A
1	4460742	1	Connector - 2 Position	
1	4460743	2	Terminal, Female	
1	4460458	2	Seal	
2	4460742	1	Connector - 2 Position	
2	4460743	2	Terminal, Female	
2	4460458	2	Seal	
3	4460742	1	Connector - 2 Position	
3	4460743	2	Terminal, Female	
3	4460458	2	Seal	
4	4460744	1	Connector- 6 Position	
4	4460749	1	Cap, Shell	
4	4460750	1	Bar, Buss - 6 Position	
4	4460745	1	Lock, Secondary	
4	4460751	1	Clip, Mounting	
4	4460746	5	Socket, Female	
4	4460748	1	Plug, Seal	
4	4460458	5	Seal	
5	4460742	1	Connector - 2 Position	
5	4460743	2	Terminal, Female	
5	4460458	2	Seal	
6	4460931	1	Connector- 8 Position	
6	4460464	6	Socket, Female	
6	4460466	2	Plug, Seal	
7	4460738	1	Ring, Terminal	
8	4460738	1	Ring, Terminal	
10	4460424	1	Connector - 2 Position	
10	4460227	2	Pin, Male	
11	1001116810	1	Connector - 4 Position	
11	4460509	2	Socket, Female	
11	4460466	2	Plug, Seal	
12	4460434	1	Connector - 15 Position	
12	4460226	7	Pin, Male	
13	4460742	1	Connector - 2 Position	
13	4460743	2	Terminal, Female	
13	4460458	2	Seal	

SECTION 8 - ELECTRICAL

FIGURE 8-10. LED REMOTE HARNESS



ART_1060778

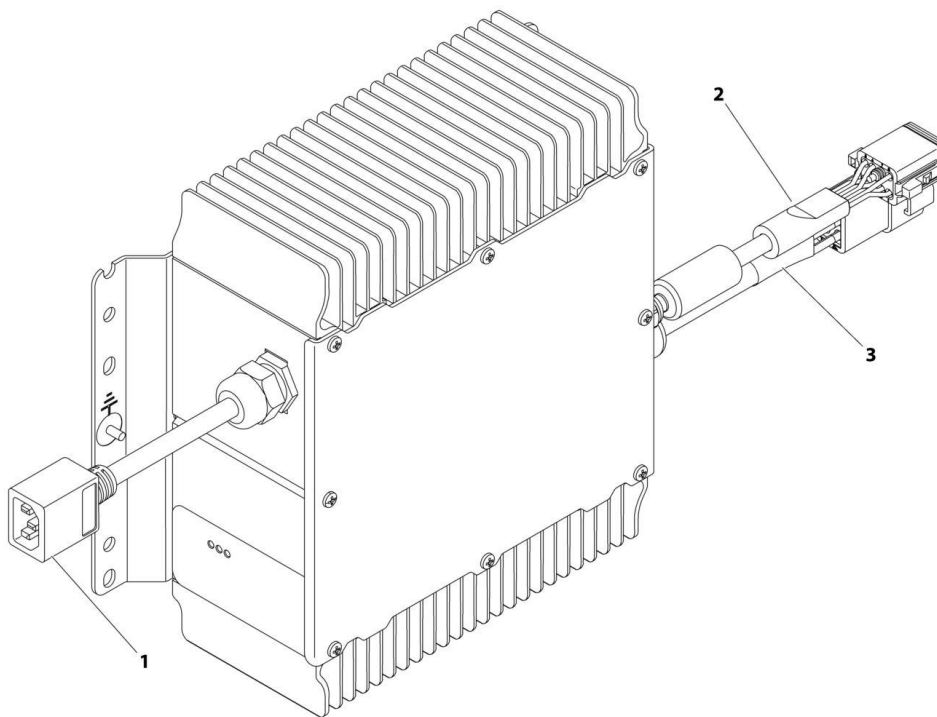
SECTION 8 - ELECTRICAL

FIGURE 8-10. LED REMOTE HARNESS

ITEM	PART NUMBER	QTY	DESCRIPTION	REV
	1060778	Ref	LED REMOTE HARNESS	A
1	1060779	4 ft/1.2m	Cable, Electrical 4-18	
2	4460226	8	Socket, female	
3	4460321	1	Connector - 4 Position	
4	4460761	1	Connector - 4 Position	

SECTION 8 - ELECTRICAL

FIGURE 8-11. BATTERY CHARGER COMPONENTS



ART_1001103105

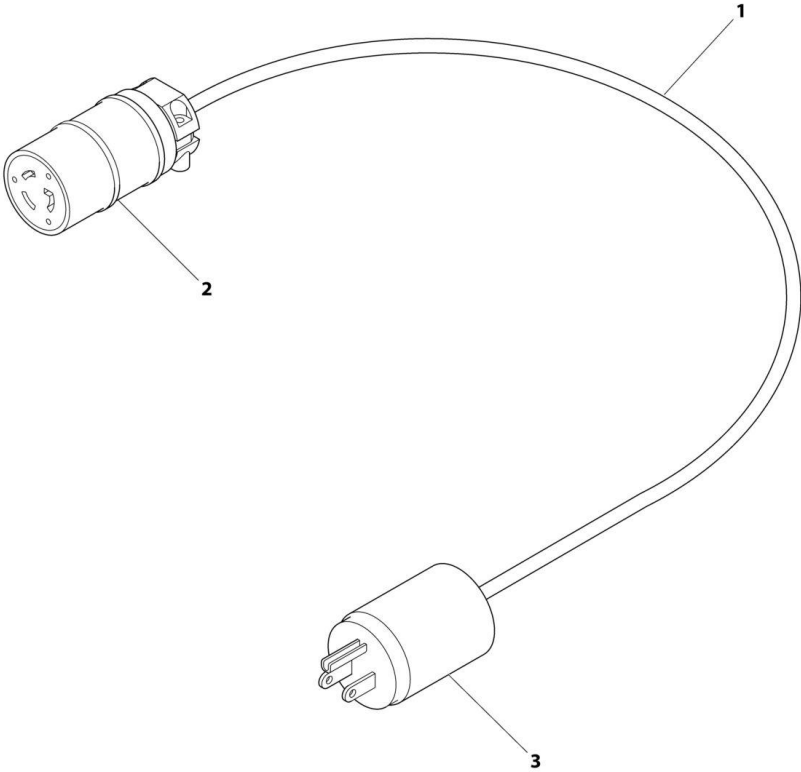
SECTION 8 - ELECTRICAL

FIGURE 8-11. BATTERY CHARGER COMPONENTS

ITEM	PART NUMBER	QTY	DESCRIPTION	REV
	1001103105	1	BATTERY CHARGER COMPONENTS	
1	See Note	1	Harness, Battery Charger AC Plug (Note: Not Available for Purchase)	
1	See Note	1	Connector, Plug (Note: Not Available for Purchase)	
2	See Note	1	Harness, Battery Charger Signal (Note: Not Available for Purchase)	
2	4460930	1	Connector - 8 Position	
2	4460464	7	Socket, Female	
3	See Note	1	Harness, Battery Charger Power (Note: Not Available - Purchase Complete Charger)	
3	1001116811	1	Connector - 4 Position	
3	4460508	4	Pin, Male	

SECTION 8 - ELECTRICAL

FIGURE 8-12. INVERTER HARNESS



ART_4922390

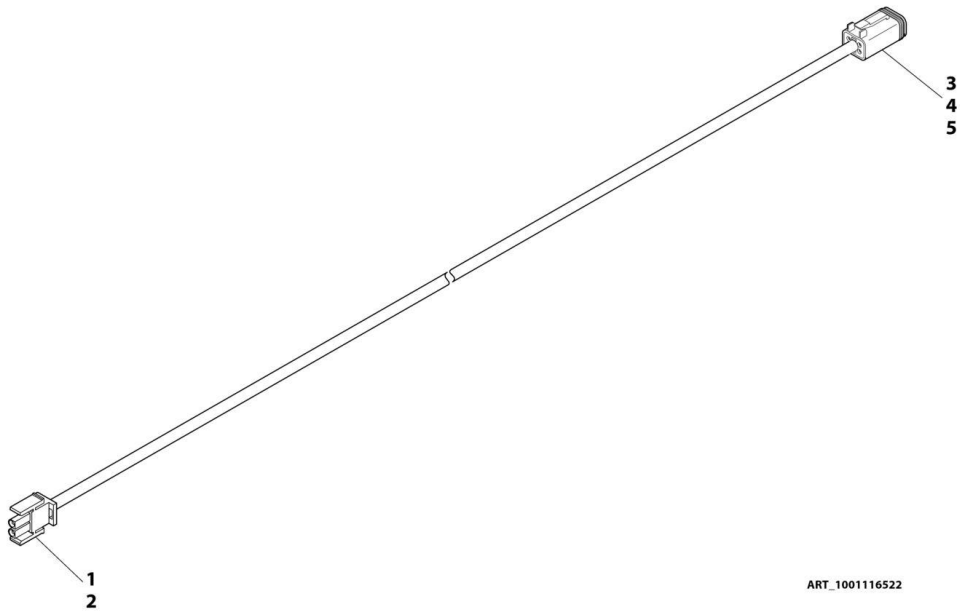
SECTION 8 - ELECTRICAL

FIGURE 8-12. INVERTER HARNESS

ITEM	PART NUMBER	QTY	DESCRIPTION	REV
	4922390	Ref	INVERTER HARNESS	B
1	1060494	6 ft/1.9m	Cable, Electrical 12/3	
2	4460134	1	Connector, Female	
3	4460138	1	Plug, Connector	

SECTION 8 - ELECTRICAL

FIGURE 8-13. DRIVE ORIENTATION HARNESS



ART_1001116522

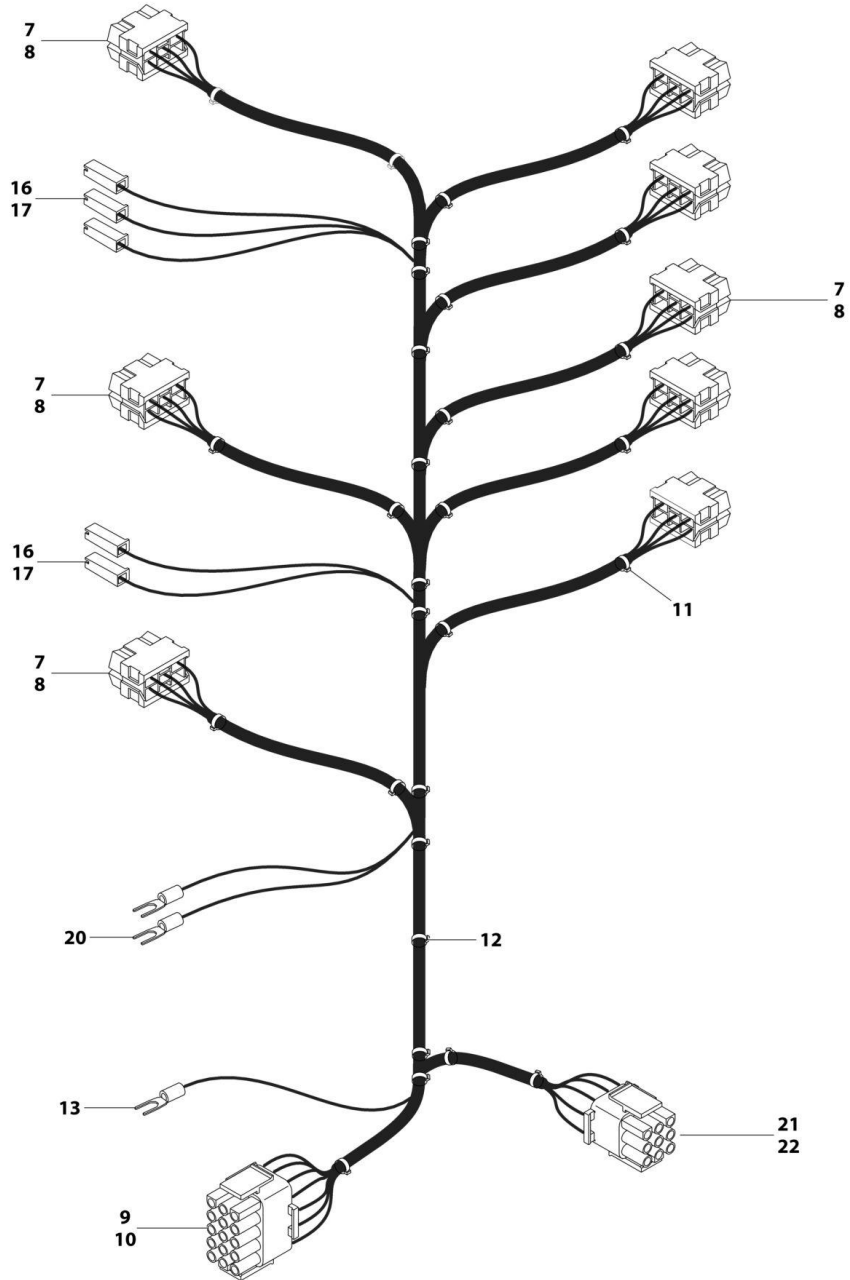
SECTION 8 - ELECTRICAL

FIGURE 8-13. DRIVE ORIENTATION HARNESS

ITEM	PART NUMBER	QTY	DESCRIPTION	REV
	1001116522	Ref	DRIVE ORIENTATION HARNESS	B
1	4460227	2	Pin, Male	
2	4460320	1	Connector - 2 Position	
3	4460465	2	Socket, Female	
4	4460466	2	Seal	
5	4460884	1	Connector - 4 Position	

SECTION 8 - ELECTRICAL

FIGURE 8-14. GROUND CONTROL FUNCTION SWITCH HARNESS ASSEMBLY



ART_4923625

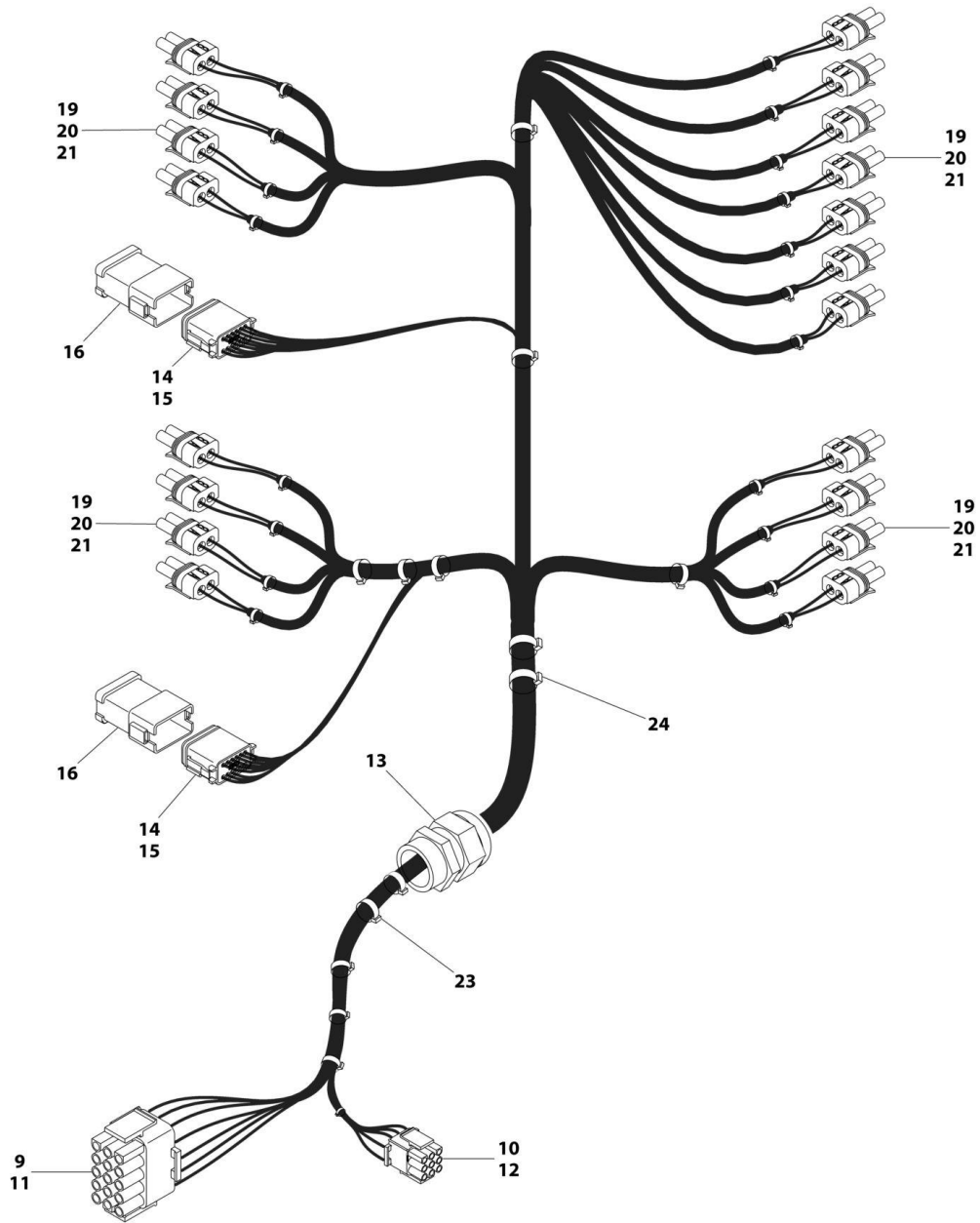
SECTION 8 - ELECTRICAL

FIGURE 8-14. GROUND CONTROL FUNCTION SWITCH HARNESS ASSEMBLY

ITEM	PART NUMBER	QTY	DESCRIPTION	REV
	4923625	Ref	GROUND CONTROL FUNCTION SWITCH HARNESS ASSEMBLY	1/C
7	4460418	8	Connector - 6 Position	
8	4460419	24	Terminal, Female	
9	4460434	1	Connector - 15 Position	
10	4460226	15	Socket, Female	
11	4240032	AR	Tie-Strap	
12	4240033	AR	Tie-Strap	
13	4460145	1	Terminal	
16	4460259	5	Terminal	
17	4460260	5	Terminal, Housing	
20	4460183	2	Terminal	
21	4460265	1	Connector - 9 Position	
22	4460227	2	Pin, Male	

SECTION 8 - ELECTRICAL

FIGURE 8-15. VALVE HARNESS ASSEMBLY



ART_4922367

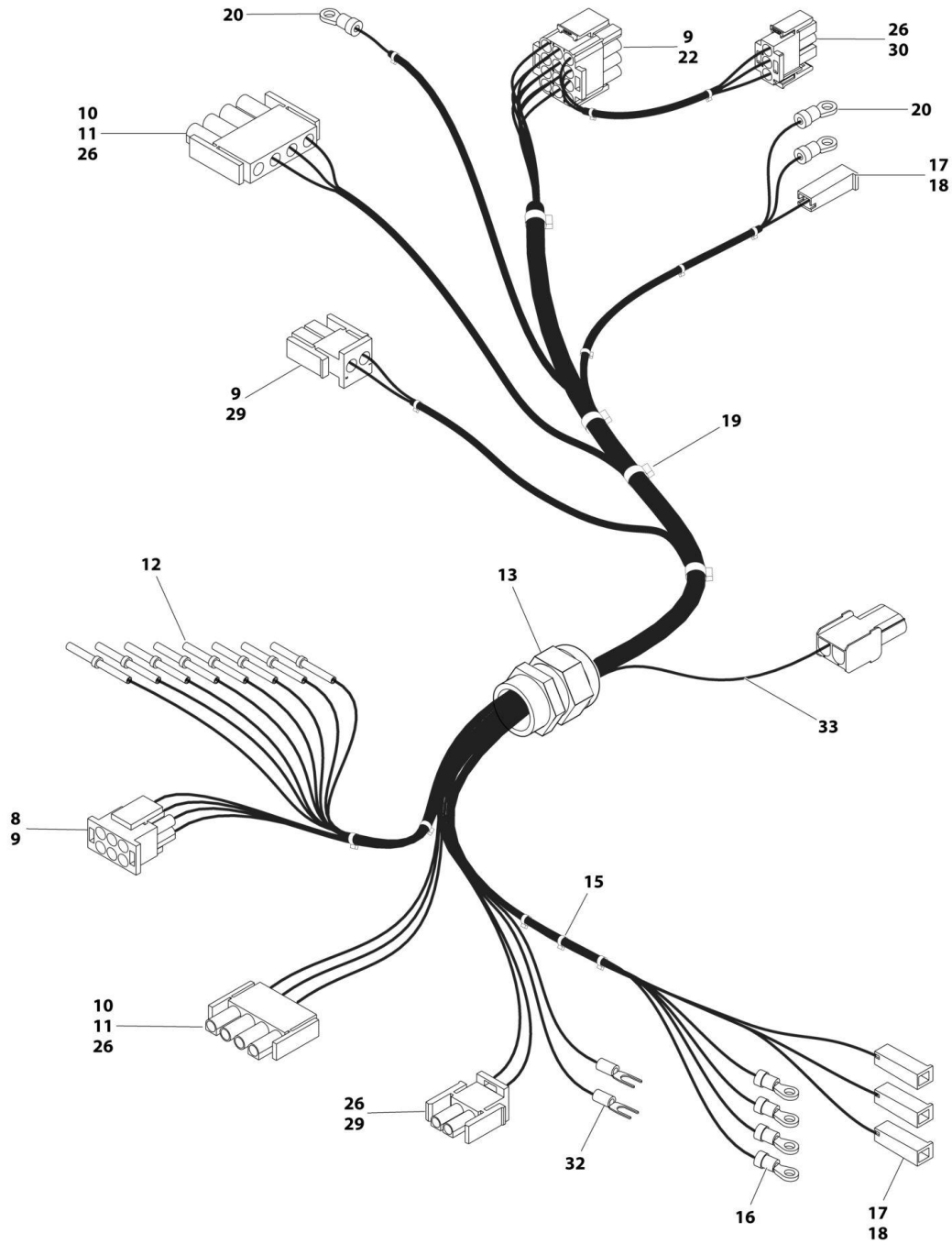
SECTION 8 - ELECTRICAL

FIGURE 8-15. VALVE HARNESS ASSEMBLY

ITEM	PART NUMBER	QTY	DESCRIPTION	REV
	4922367	Ref	GROUND CONTROL VALVE HARNESS ASSEMBLY	2/D
9	4460434	1	Connector - 15 Position	
10	4460265	1	Connector - 9 Position	
11	4460227	14	Pin, Male	
12	4460226	6	Socket, Female	
13	4460425	1	Connector, Strain Relief	
14	4460465	22	Pin, Terminal	
15	4460836	2	Connector, 12 Position	
16	4460837	2	Housing, Terminal - 12 Position	
19	4460458	38	Seal	
20	4460742	19	Connector - 2 Position	
21	4460743	38	Terminal, Female	
23	4240032	32	Tie-Strap	
24	4240033	7	Tie-Strap	

SECTION 8 - ELECTRICAL

FIGURE 8-16. TURNTABLE/FRAME HARNESS ASSEMBLY



ART_4922104

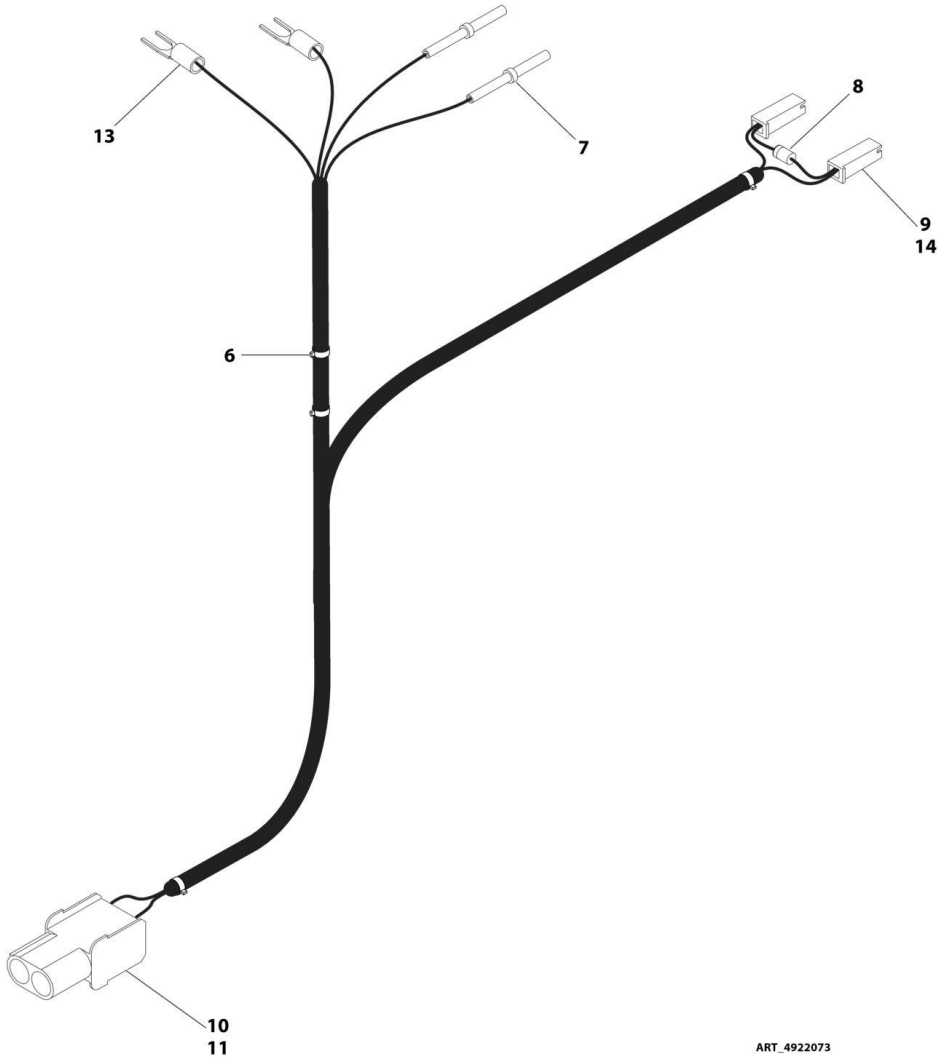
SECTION 8 - ELECTRICAL

FIGURE 8-16. TURNTABLE/FRAME HARNESS ASSEMBLY

ITEM	PART NUMBER	QTY	DESCRIPTION	REV
	4922104	Ref	Turntable/Frame Harness Assembly	7/G
8	4460225	1	Connector - 6 Position	
9	4460268	17	Socket, Female	
10	4460321	2	Connector - 4 Position	
11	4460227	2	Pin, Male	
12	4460465	8	Socket, Female	
13	4460425	1	Connector, Strain Relief	
14	4460315	1	Terminal, Spade	
15	4240032	12	Tie-Strap	
16	4460042	4	Ring, Terminal	
17	4460259	4	Terminal	
18	4460260	4	Terminal, Housing	
19	4240033	4	Tie-Strap	
20	4460738	3	Ring, Terminal	
22	4460343	1	Connector, 12 Position	
26	4460267	11	Pin, Male	
29	4460320	2	Connector, 2 Position	
30	4460326	1	Connector, 3 Position	
32	4460145	1	Terminal	
33	4922073	1	Horn/Beacon Harness Assembly (See HORN/BEACON HARNESS ASSEMBLY for Breakdown)	

SECTION 8 - ELECTRICAL

FIGURE 8-17. HORN/BEACON HARNESS ASSEMBLY



ART_4922073

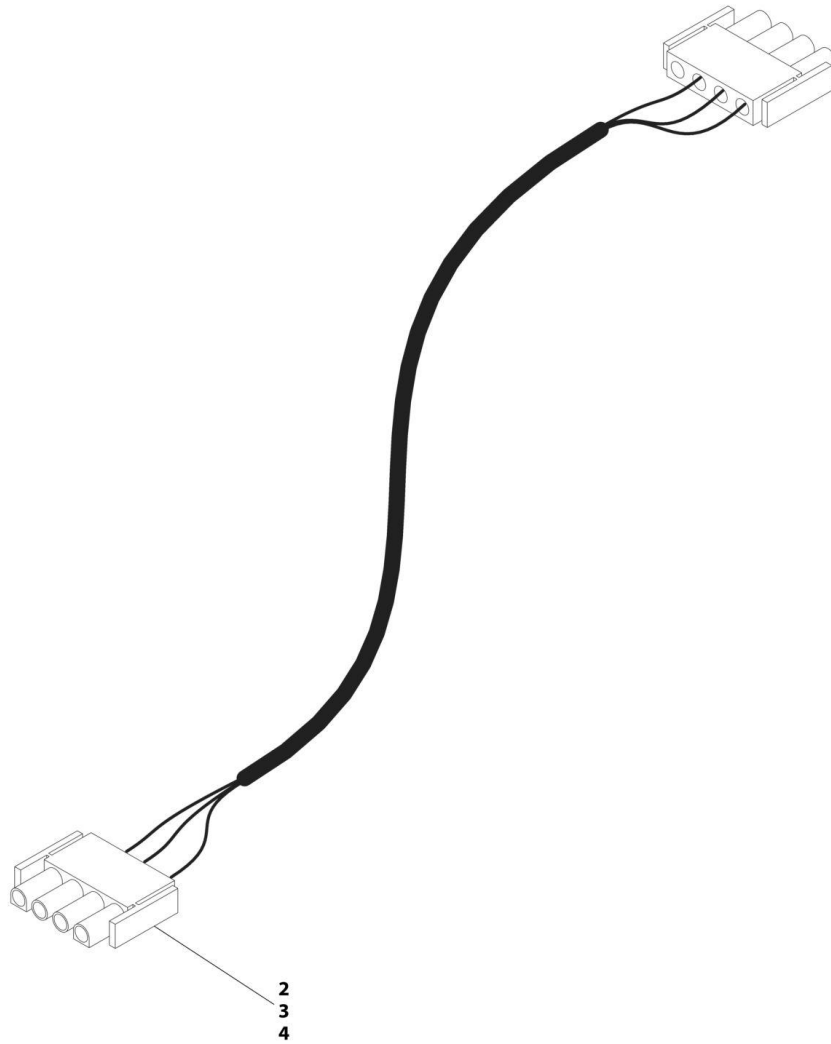
SECTION 8 - ELECTRICAL

FIGURE 8-17. HORN/BEACON HARNESS ASSEMBLY

ITEM	PART NUMBER	QTY	DESCRIPTION	REV
	4922073	Ref	HORN/BEACON HARNESS ASSEMBLY	5/E
6	4240032	4	Tie-Strap	
7	4460465	2	Socket, Female	
8	3990001	1	Diode	
9	4460259	2	Terminal	
10	4460268	2	Socket, Female	
11	4460424	1	Connector, 2 Position	
13	4460145	2	Terminal	
14	4460260	2	Terminal, Housing	

SECTION 8 - ELECTRICAL

FIGURE 8-18. POSI-TRACK MODULE CAN HARNESS ASSEMBLY



ART_4922263

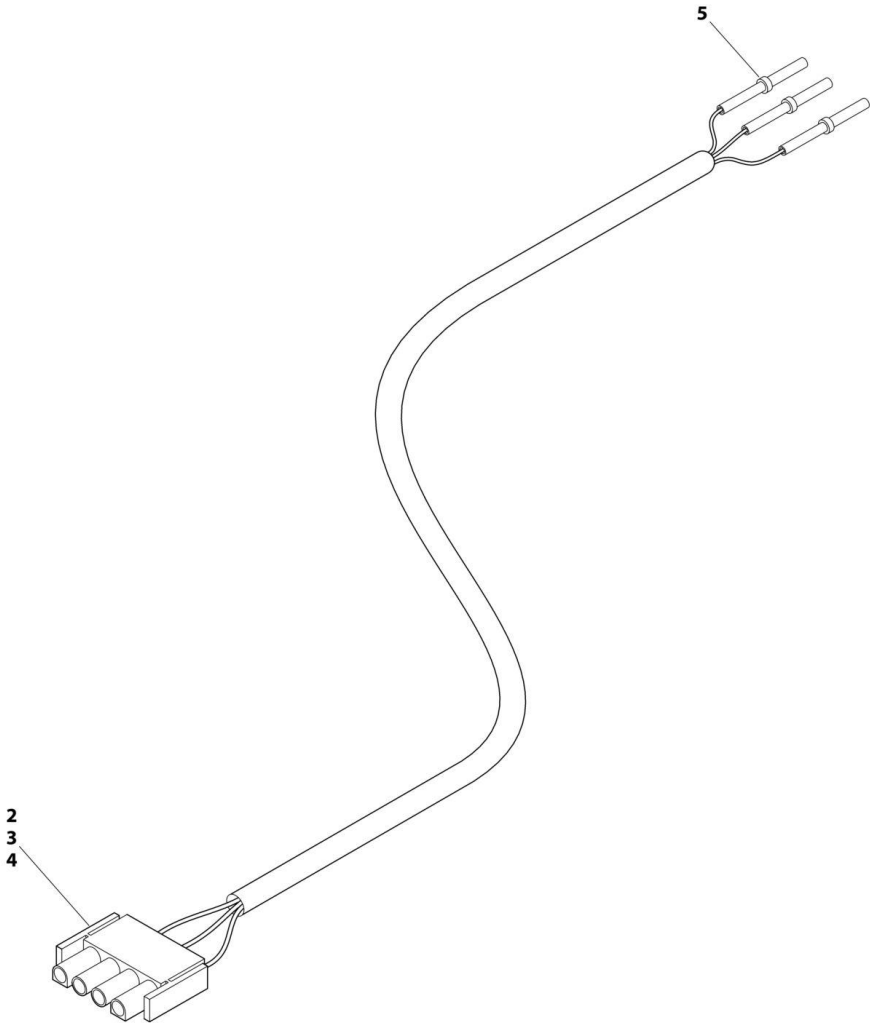
SECTION 8 - ELECTRICAL

FIGURE 8-18. POSI-TRACK MODULE CAN HARNESS ASSEMBLY

ITEM	PART NUMBER	QTY	DESCRIPTION	REV
	4922263	Ref	POSI-TRACK MODULE CAN HARNESS ASSEMBLY	2/A
2	4460321	2	Connector - 4 Position	
3	4460227	4	Pin, Male	
4	4460267	2	Pin, Male	

SECTION 8 - ELECTRICAL

FIGURE 8-19. GROUND CONTROL CAN HARNESS ASSEMBLY



ART_4922117

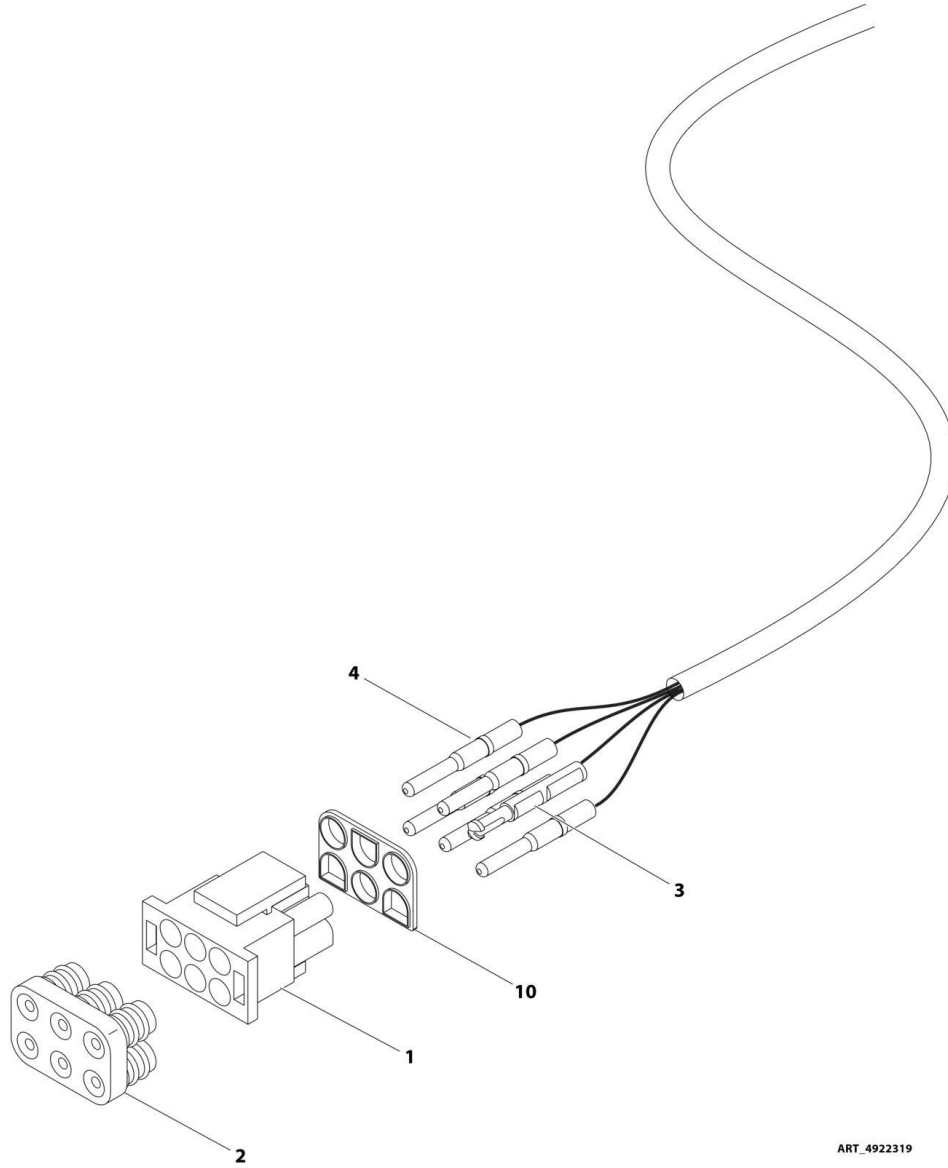
SECTION 8 - ELECTRICAL

FIGURE 8-19. GROUND CONTROL CAN HARNESS ASSEMBLY

ITEM	PART NUMBER	QTY	DESCRIPTION	REV
	4922117	Ref	GROUND CONTROL CAN HARNESS ASSEMBLY	3/B
2	4460321	1	Connector - 4 Position	
3	4460227	2	Pin, Male	
4	4460267	1	Pin, Male	
5	4460465	3	Socket, Female	

SECTION 8 - ELECTRICAL

FIGURE 8-20. GENERATOR HARNESS TO GROUND CONTROL BOX



ART_4922319

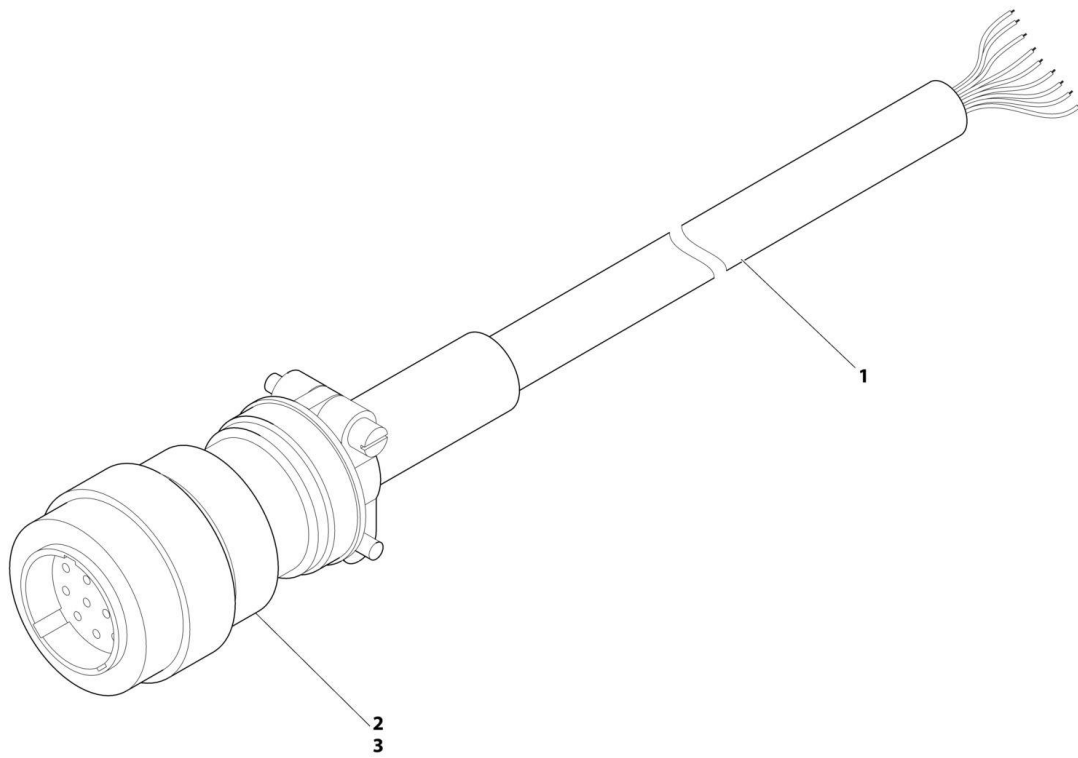
SECTION 8 - ELECTRICAL

FIGURE 8-20. GENERATOR HARNESS TO GROUND CONTROL BOX

ITEM	PART NUMBER	QTY	DESCRIPTION	REV
	4922319	Ref	GENERATOR HARNESS TO GROUND CONTROL BOX	1/A
1	4460225	1	Connector - 6 Position	
2	4460807	1	Seal, Terminal	
3	4460809	1	Pin, Terminal	
4	4460267	5	Pin, Terminal	
10	4460808	1	Terminal, Seal	

SECTION 8 - ELECTRICAL

FIGURE 8-21. MAIN BOOM HARNESS ASSEMBLY



ART_4922178

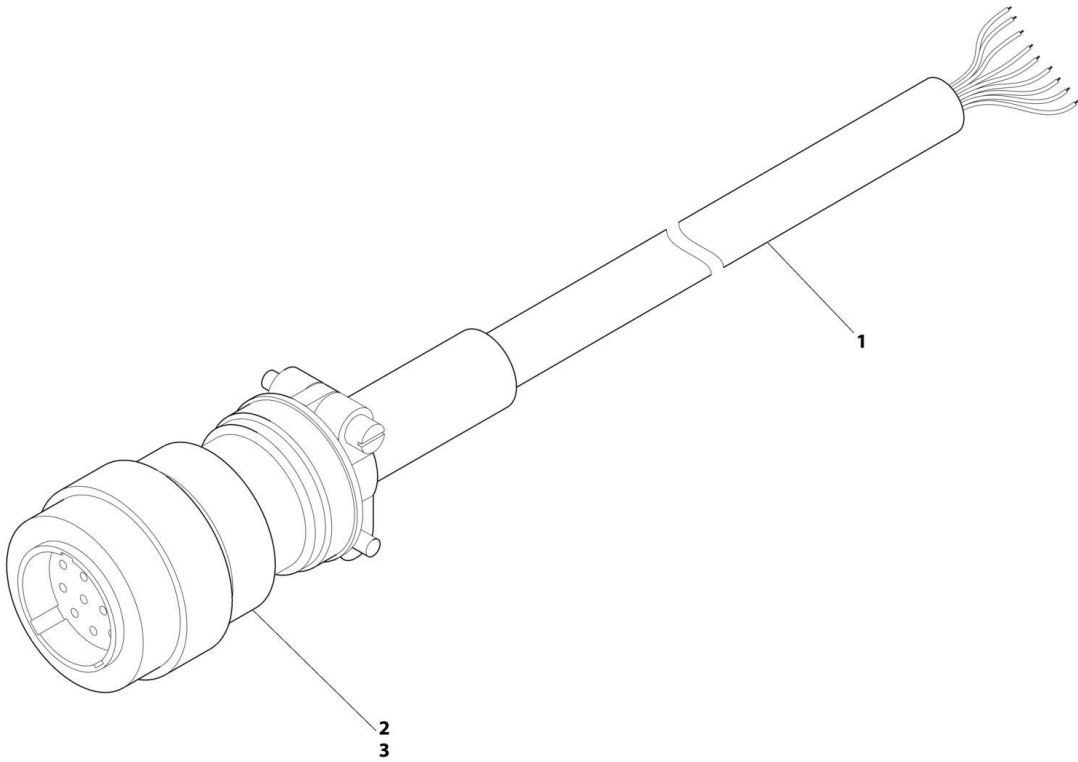
SECTION 8 - ELECTRICAL

FIGURE 8-21. MAIN BOOM HARNESS ASSEMBLY

ITEM	PART NUMBER	QTY	DESCRIPTION	REV
1	4922178 1060677	Ref 26.5 ft/8.0m	MAIN BOOM HARNESS ASSEMBLY - E450A Cable, Electrical	3/D
2	4460465	28	Socket, Female	
3	4460754	1	Connector - 14 Position	

SECTION 8 - ELECTRICAL

FIGURE 8-22. MAIN BOOM HARNESS ASSEMBLY - E450AJ/M450AJ



ART_4922552

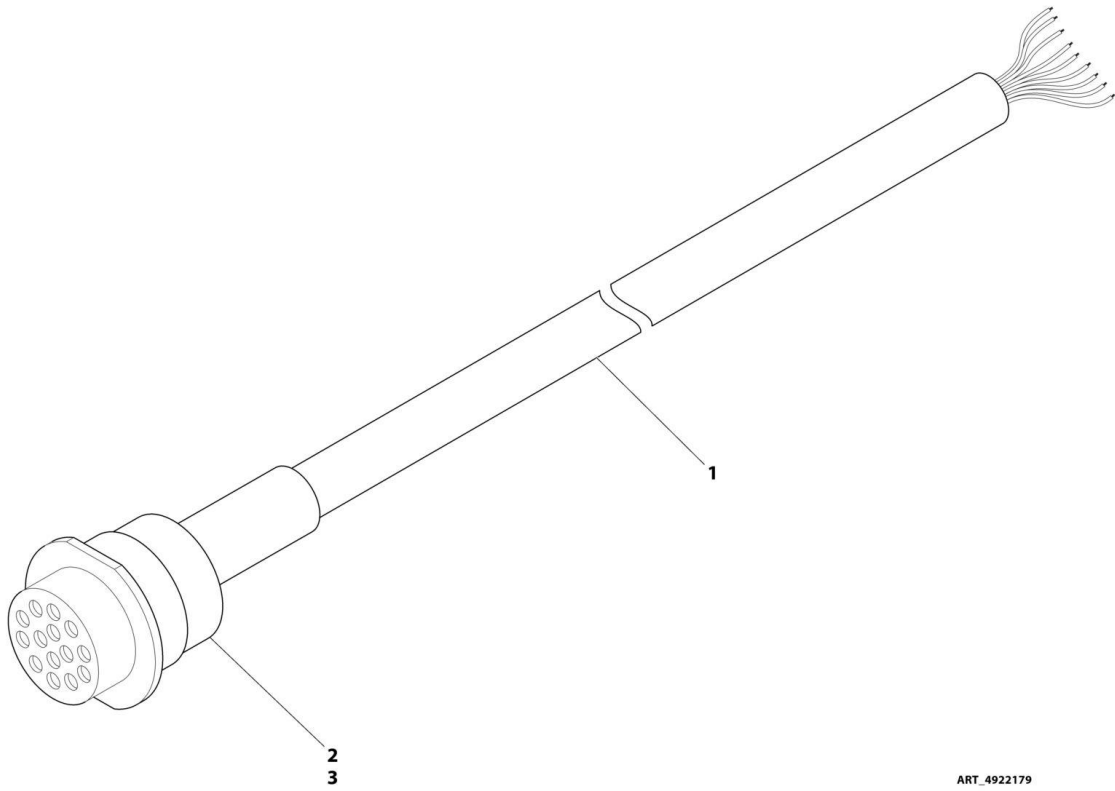
SECTION 8 - ELECTRICAL

FIGURE 8-22. MAIN BOOM HARNESS ASSEMBLY - E450AJ/M450AJ

ITEM	PART NUMBER	QTY	DESCRIPTION	REV
	4922552	Ref	Main Boom Harness Assembly - E450AJ/M450AJ	1
1	1060677	28 ft/8.5m	Cable, Electrical	
2	4460465	28	Socket, Female	
3	4460754	1	Connector - 14 Position	

SECTION 8 - ELECTRICAL

FIGURE 8-23. TOWER BOOM HARNESS ASSEMBLY - E450A/E450AJ/M450AJ



ART_4922179

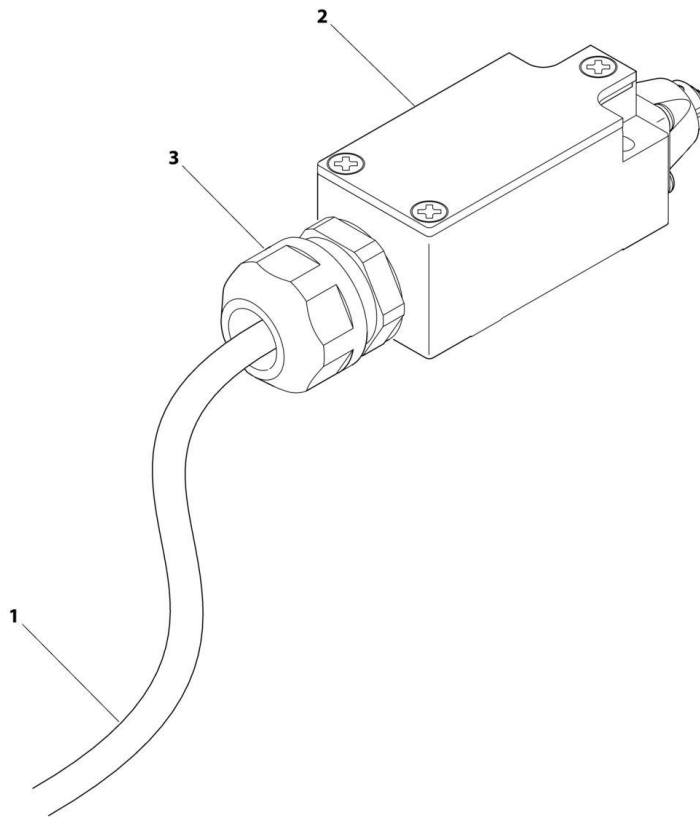
SECTION 8 - ELECTRICAL

FIGURE 8-23. TOWER BOOM HARNESS ASSEMBLY - E450A/E450AJ/M450AJ

ITEM	PART NUMBER	QTY	DESCRIPTION	REV
1	4922179 1060677	Ref 35.5 ft/10.8m	TOWER BOOM HARNESS ASSEMBLY - E450A/E450AJ/M450AJ Cable, Electrical	3/D
2	4460464	28	Pin, Male	
3	4460752	1	Connector - 14 Position	

SECTION 8 - ELECTRICAL

FIGURE 8-24. BOOM LIMIT SWITCH HARNESS - LOWER



ART_4922614

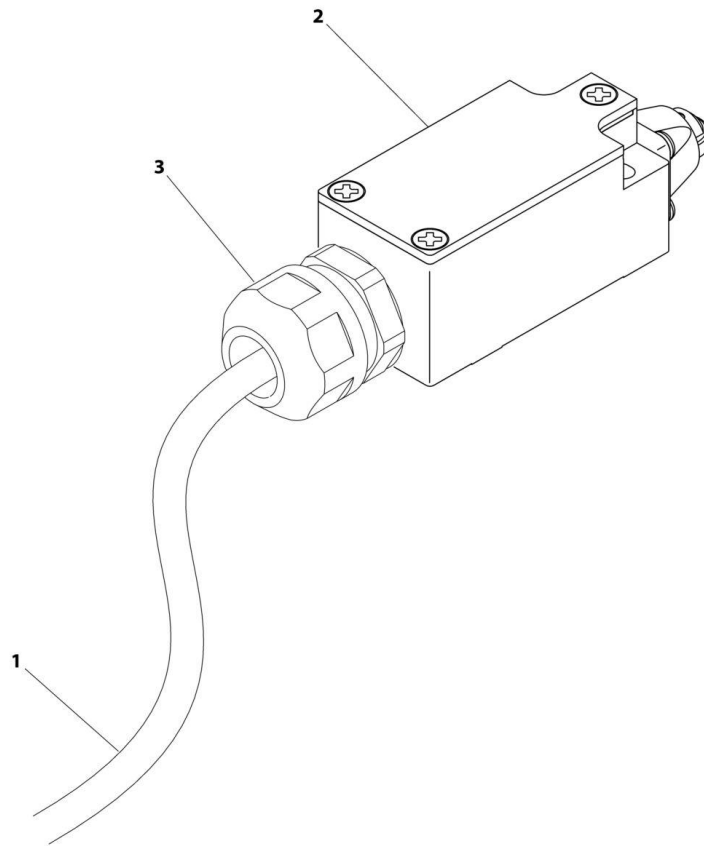
SECTION 8 - ELECTRICAL

FIGURE 8-24. BOOM LIMIT SWITCH HARNESS - LOWER

ITEM	PART NUMBER	QTY	DESCRIPTION	REV
	4922614	Ref	BOOM LIMIT SWITCH HARNESS - LOWER	B
1	1060341	19 ft/5.8m	Cable, Electrical - 16/2	
2	4360548	1	Switch, Limit	
3	4460968	1	Connector, Strain Relief	

SECTION 8 - ELECTRICAL

FIGURE 8-25. BOOM LIMIT SWITCH HARNESS - UPPER



ART_4922613

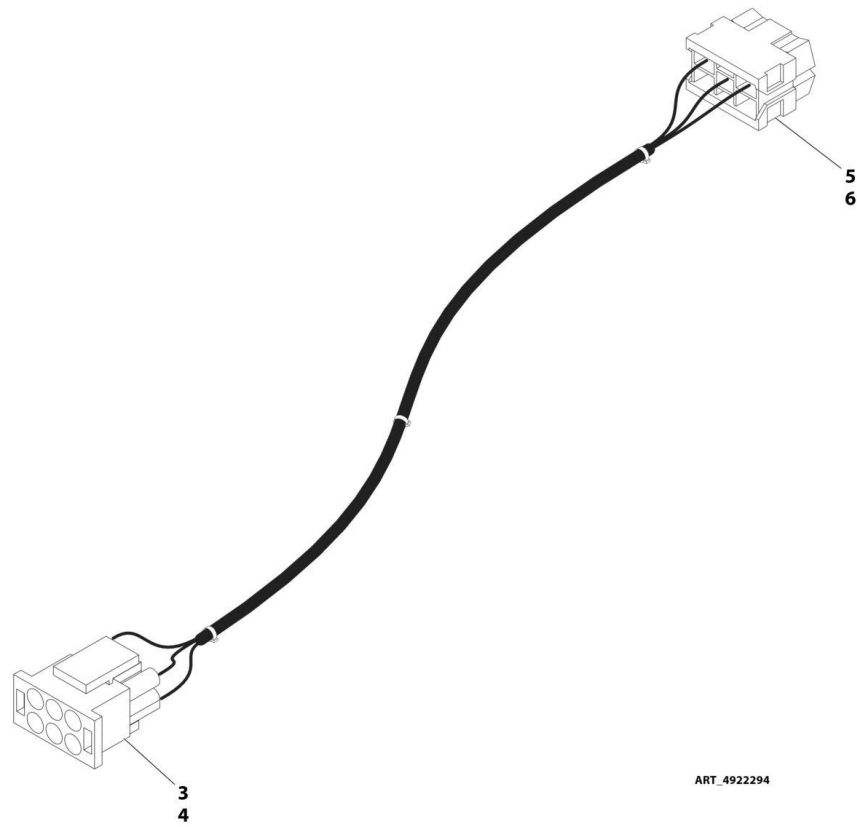
SECTION 8 - ELECTRICAL

FIGURE 8-25. BOOM LIMIT SWITCH HARNESS - UPPER

ITEM	PART NUMBER	QTY	DESCRIPTION	REV
	4922613	Ref	BOOM LIMIT SWITCH HARNESS - UPPER	B
1	1060341	34 ft/10.3m	Cable, Electrical - 16/2	
2	4360548	1	Switch, Limit	
3	4460968	1	Connector, Strain Relief	

SECTION 8 - ELECTRICAL

FIGURE 8-26. JIB HARNESS - AJ MODELS ONLY



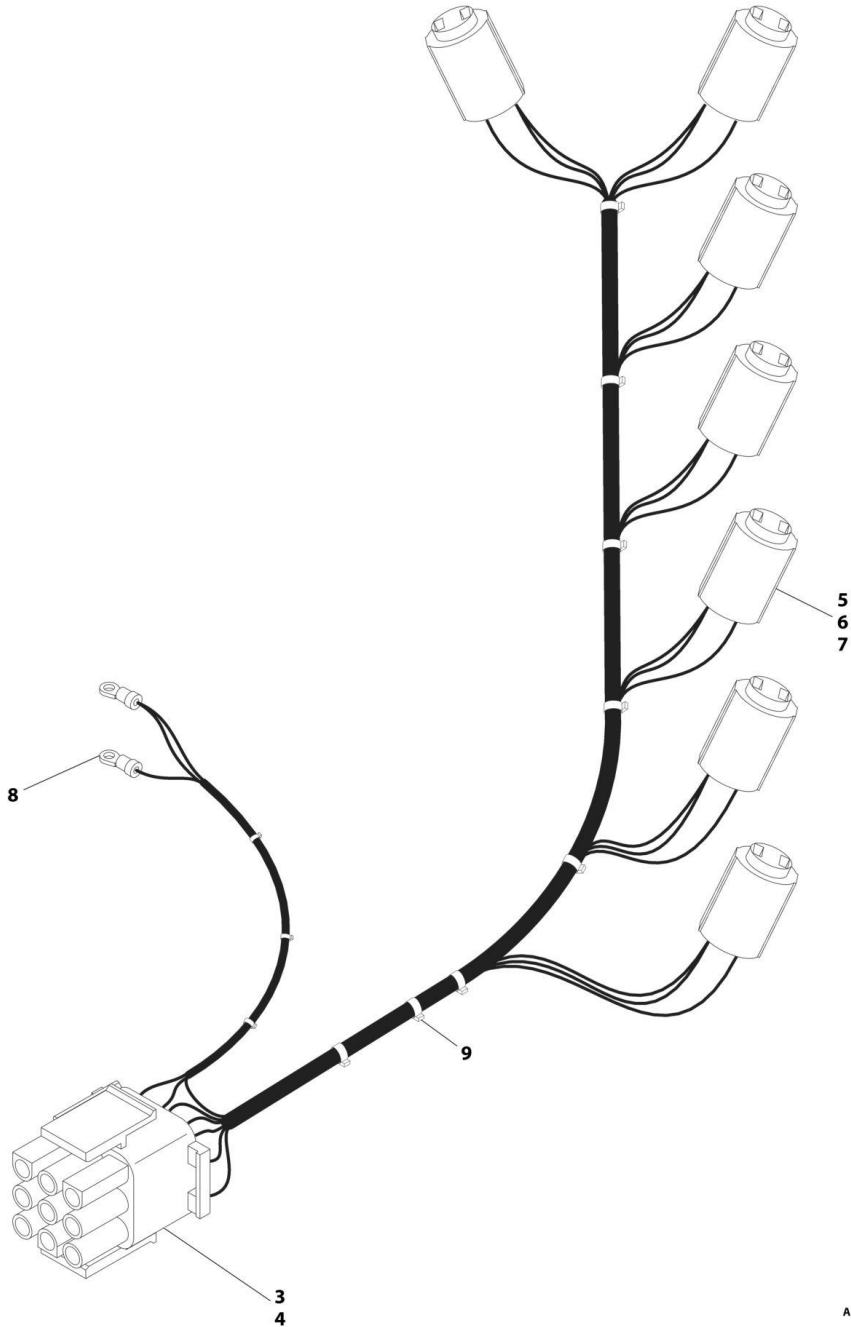
SECTION 8 - ELECTRICAL

FIGURE 8-26. JIB HARNESS - AJ MODELS ONLY

ITEM	PART NUMBER	QTY	DESCRIPTION	REV
	4922294	Ref	JIB HARNESS - AJ MODELS ONLY	1/B
3	4460225	1	Connector - 6 Position	
4	4460227	3	Pin, Male	
5	4460418	1	Connector, Female	
6	4460419	3	Terminal	

SECTION 8 - ELECTRICAL

FIGURE 8-27. INDICATOR LAMP HARNESS ASSEMBLY



ART_1001109860

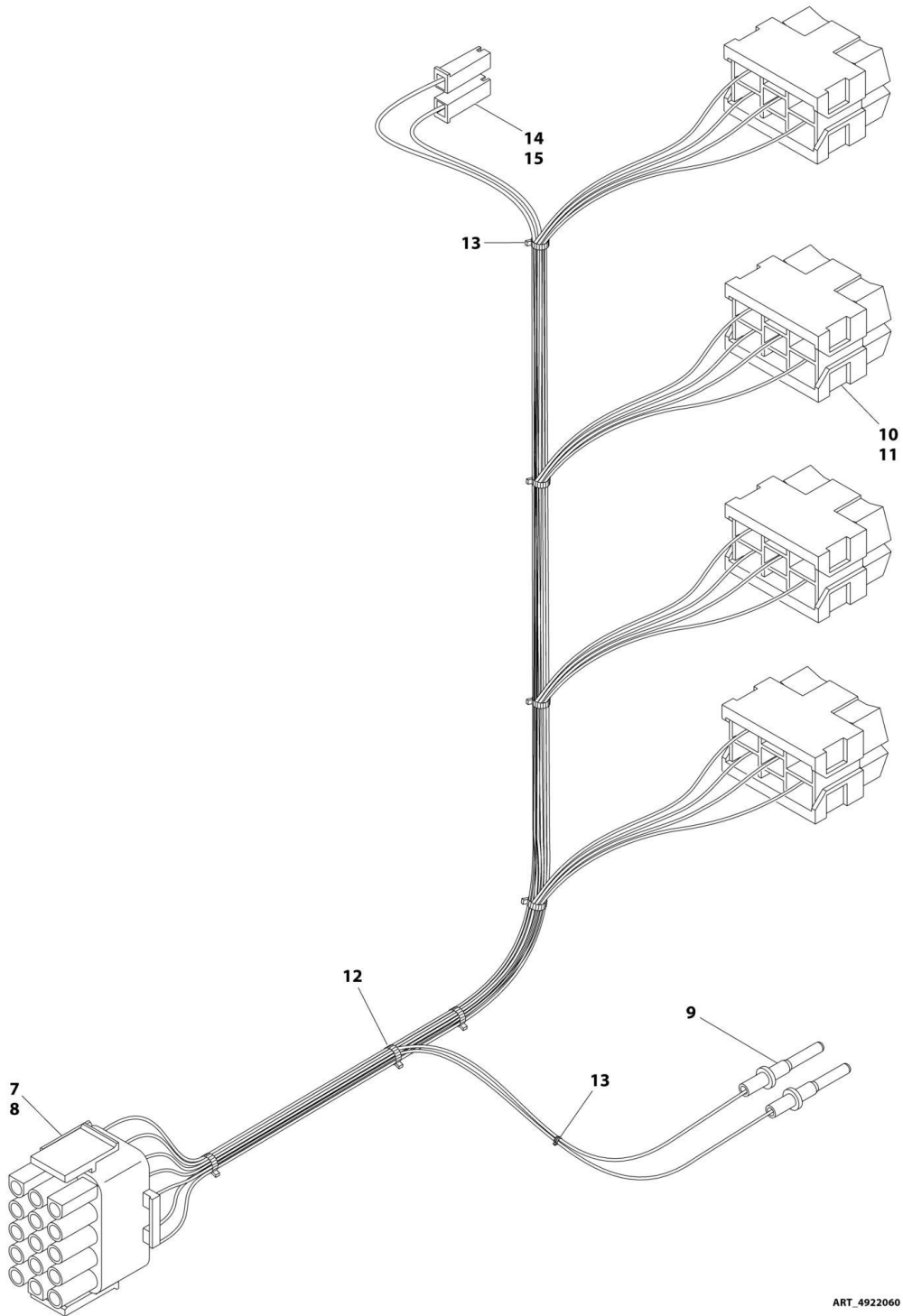
SECTION 8 - ELECTRICAL

FIGURE 8-27. INDICATOR LAMP HARNESS ASSEMBLY

ITEM	PART NUMBER	QTY	DESCRIPTION	REV
	1001109860	Ref	INDICATOR LAMP HARNESS ASSEMBLY	B
3	4460265	1	Connector - 9 Position	
4	4460227	8	Pin, Male	
5	4120035	6	Socket, Lamp	
6	4460634	7	Socket (Single Wire)	
7	4460635	5	Socket (Two Wire)	
8	4460042	2	Ring, Terminal	
9	4240032	AR	Tie-Strap	

SECTION 8 - ELECTRICAL

FIGURE 8-28. PLATFORM FUNCTION SWITCH HARNESS ASSEMBLY



ART. 4922060

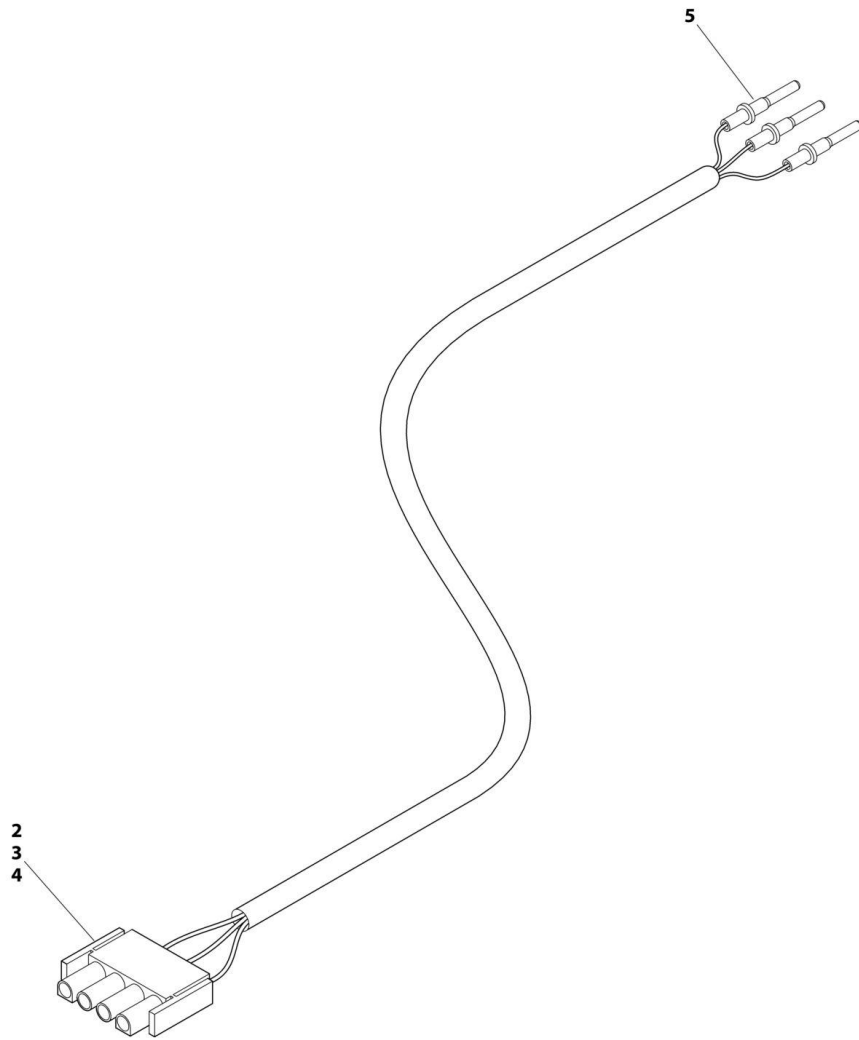
SECTION 8 - ELECTRICAL

FIGURE 8-28. PLATFORM FUNCTION SWITCH HARNESS ASSEMBLY

ITEM	PART NUMBER	QTY	DESCRIPTION	REV
	4922060	Ref	PLATFORM FUNCTION SWITCH HARNESS ASSEMBLY	2/C
7	4460434	1	Connector - 15 Position	
8	4460226	12	Pin, Male	
9	4460464	2	Pin, Male	
10	4460418	4	Connector, Female	
11	4460419	12	Terminal	
12	4240033	6	Tie-Strap	
13	4240032	14	Tie-Strap	
14	4460259	1	Terminal	
15	4460260	1	Terminal Housing	

SECTION 8 - ELECTRICAL

FIGURE 8-29. PLATFORM CAN BUS HARNESS ASSEMBLY



ART_4922071

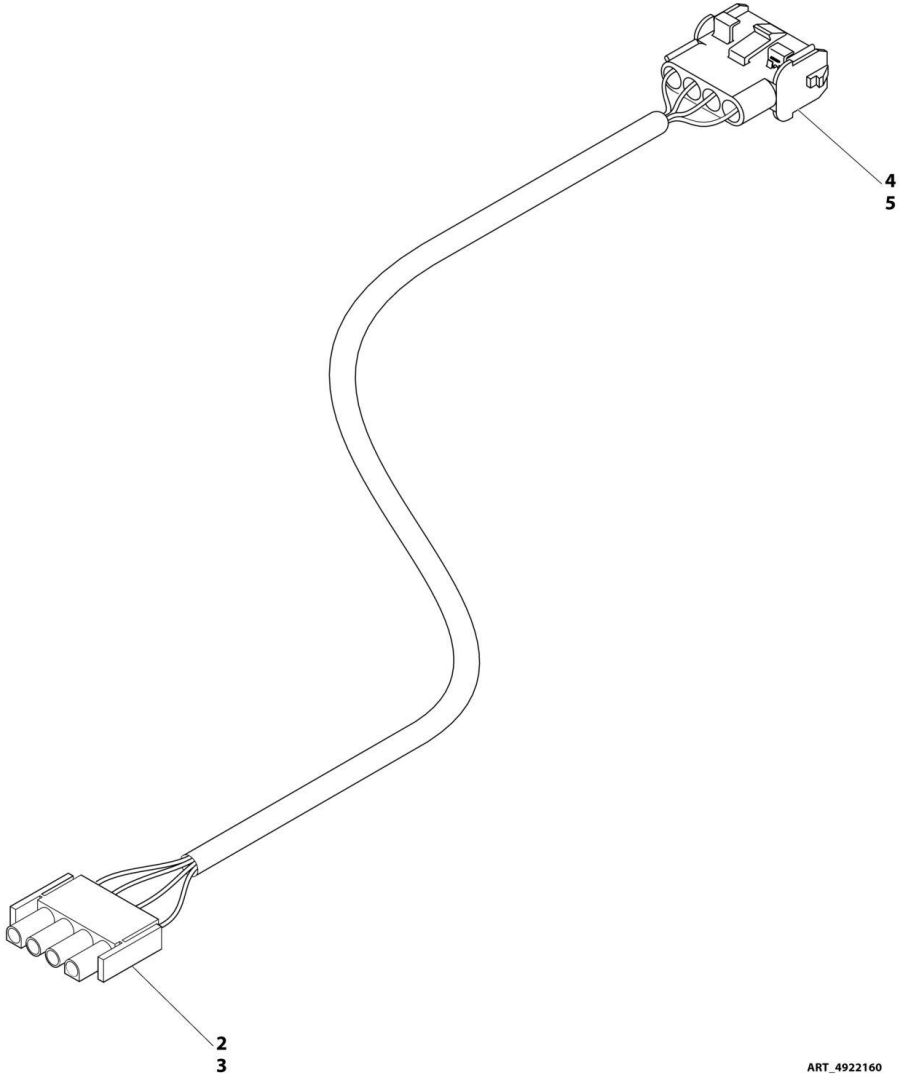
SECTION 8 - ELECTRICAL

FIGURE 8-29. PLATFORM CAN BUS HARNESS ASSEMBLY

ITEM	PART NUMBER	QTY	DESCRIPTION	REV
	4922071	Ref	PLATFORM CAN BUS HARNESS ASSEMBLY	2/B
2	4460321	1	Connector - 4 Position	
3	4460227	2	Pin, Male	
4	4460267	1	Pin, Male	
5	4460464	3	Pin, Male	

SECTION 8 - ELECTRICAL

FIGURE 8-30. ANALYZER HARNESS ASSEMBLY



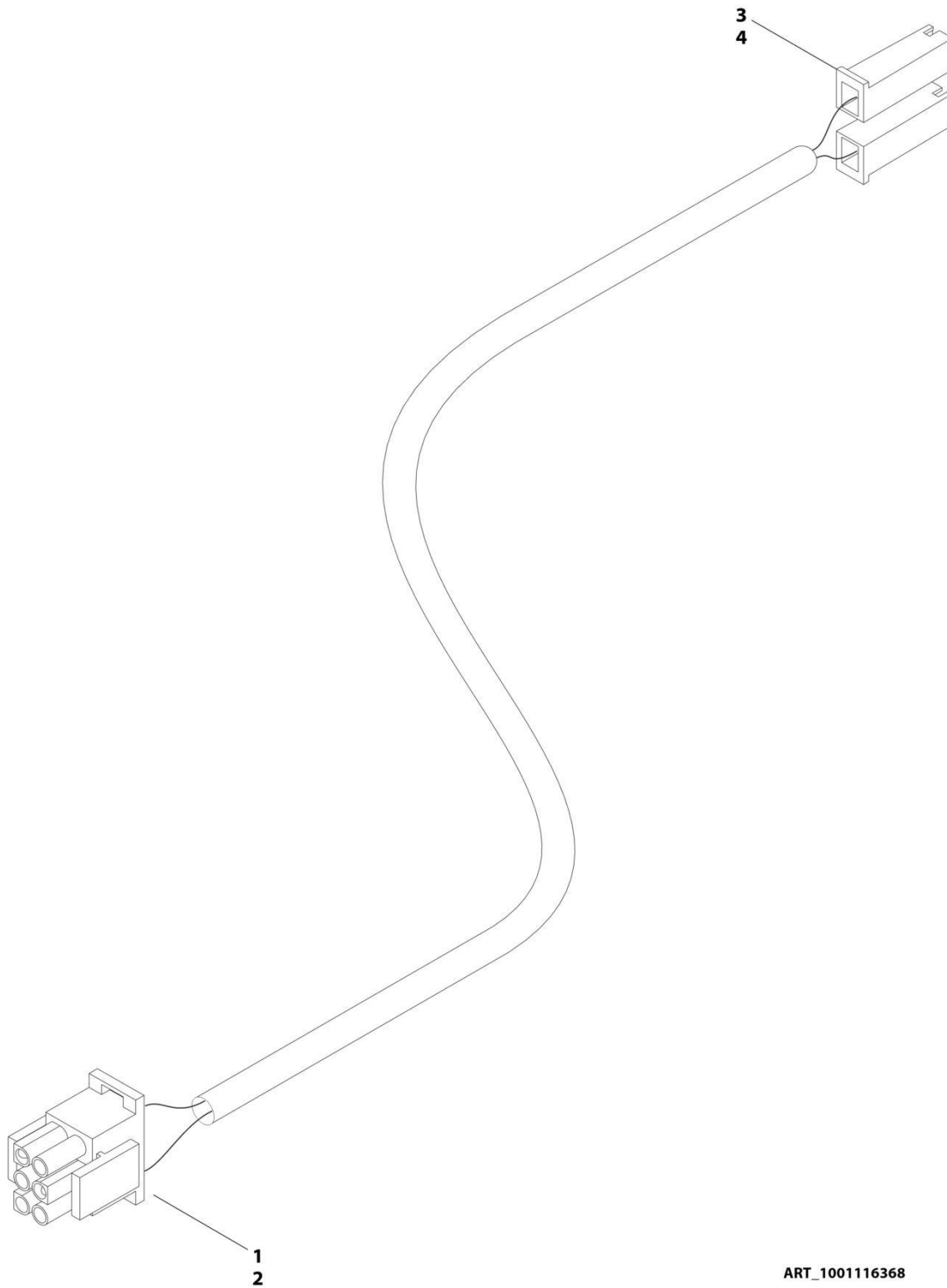
SECTION 8 - ELECTRICAL

FIGURE 8-30. ANALYZER HARNESS ASSEMBLY

ITEM	PART NUMBER	QTY	DESCRIPTION	REV
	4922160	Ref	ANALYZER HARNESS ASSEMBLY	3/C
2	4460321	1	Connector - 4 Position	
3	4460226	4	Socket, Female	
4	4460761	1	Connector, Female - 4 Position	
5	4460227	4	Pin, Male	

SECTION 8 - ELECTRICAL

FIGURE 8-31. DRIVE ORIENTATION HARNESS ASSEMBLY



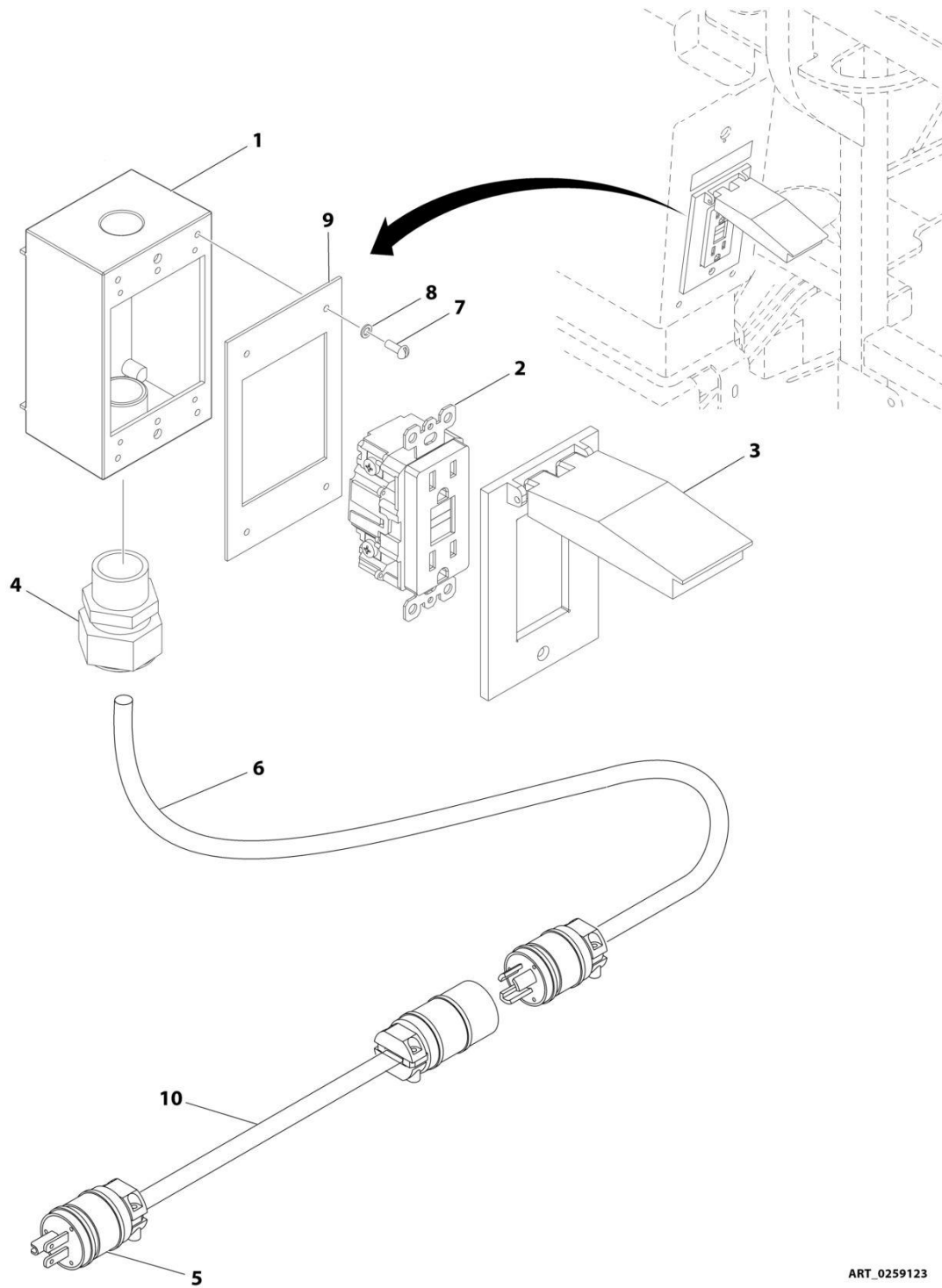
SECTION 8 - ELECTRICAL

FIGURE 8-31. DRIVE ORIENTATION HARNESS ASSEMBLY

ITEM	PART NUMBER	QTY	DESCRIPTION	REV
	1001116368	Ref	DRIVE ORIENTATION HARNESS ASSEMBLY	A
1	4460225	1	Connector - 6 Position	
2	4460227	2	Socket, Female	
3	4460259	2	Terminal	
4	4460260	2	Terminal Housing	

SECTION 8 - ELECTRICAL

FIGURE 8-32. PLUG AND RECEPTACLE INSTALLATION - 110V - ANSI SPEC



ART_0259123

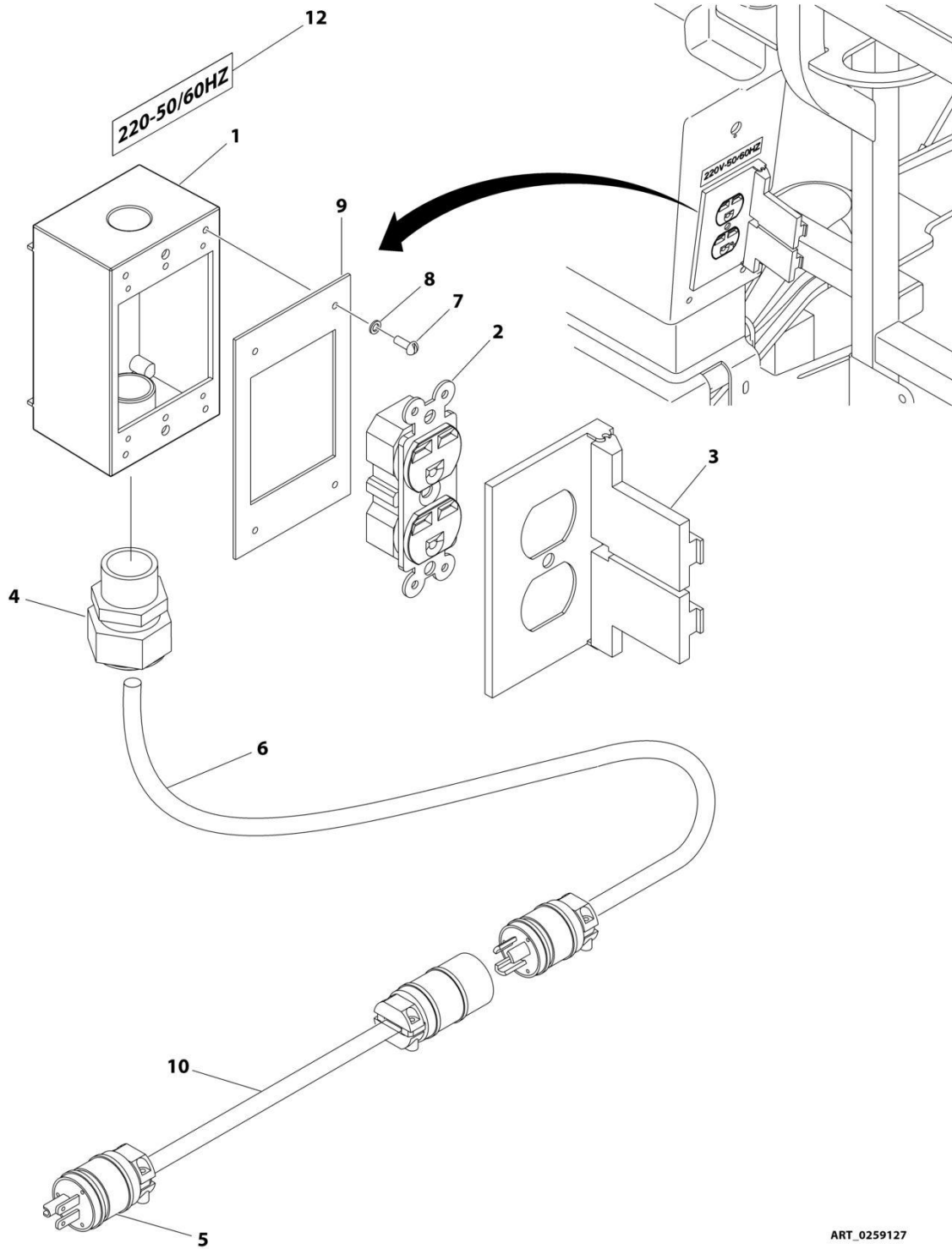
SECTION 8 - ELECTRICAL

FIGURE 8-32. PLUG AND RECEPTACLE INSTALLATION - 110V - ANSI SPEC

ITEM	PART NUMBER	QTY	DESCRIPTION	REV
	0259123	Ref	PLUG AND RECEPTACLE INSTALLATION - 110V - ANSI SPEC	5
1	0860038	1	Box, Switch	
2	4460346	1	Receptacle	
3	1001110873	1	Shield, Cover	
4	4460071	1	Connector, Strain Relief	
5	4460205	1	Plug, Male	
6	4922608	1	Main Boom 110V Harness Assembly (See MAIN BOOM 110V HARNESS ASSEMBLY for Breakdown)	
7	3910610	4	Screw, Self-tapping, #6-32 x 5/8	
8	4760600	4	Washer, #6	
9	3960422	1	Gasket	
10	4922607	1	Lower Boom 110V Harness Assembly (See LOWER BOOM 110V HARNESS ASSEMBLY for Breakdown)	

SECTION 8 - ELECTRICAL

FIGURE 8-33. PLUG AND RECEPTACLE INSTALLATION - SUPPLIED LOCALLY



ART_0259127

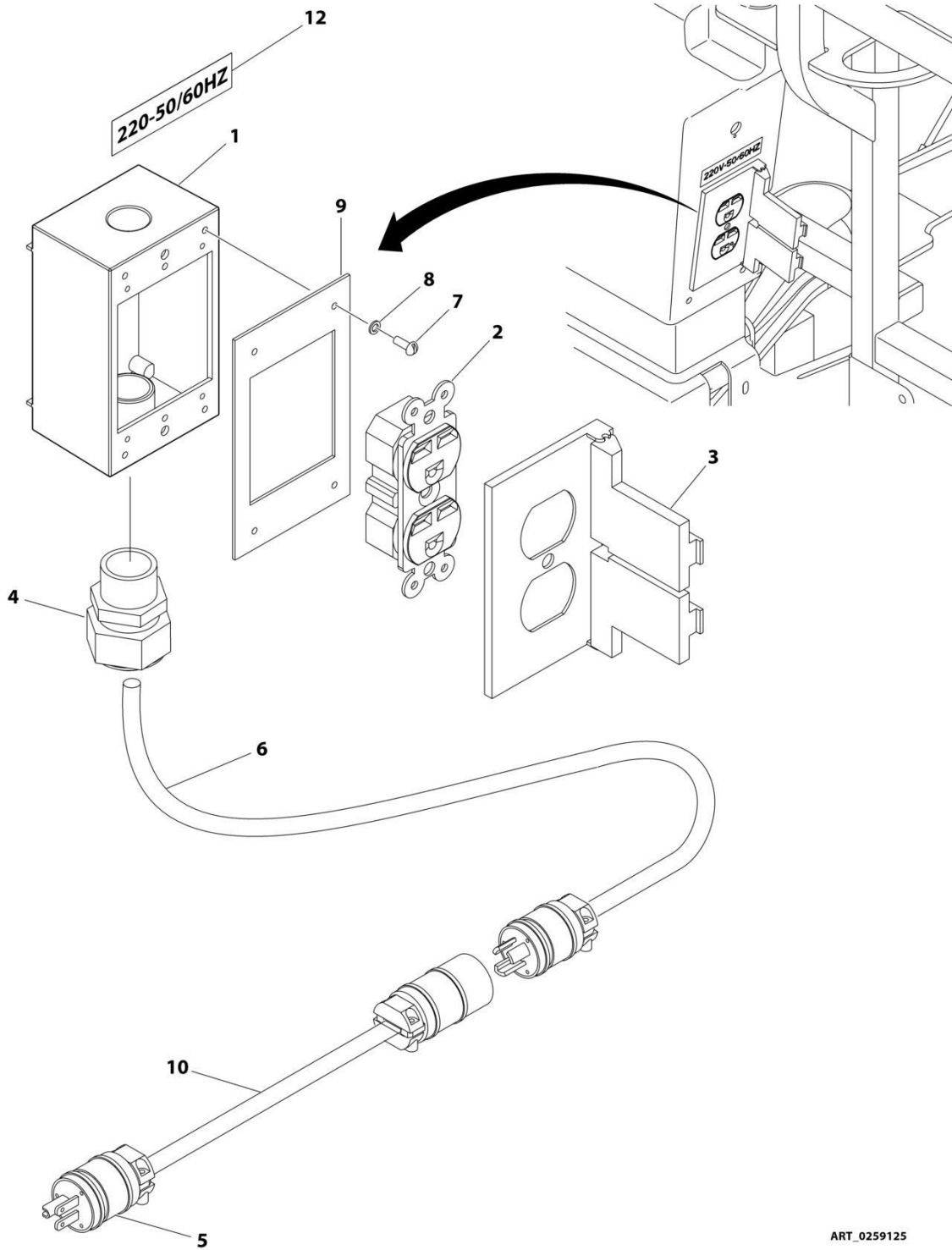
SECTION 8 - ELECTRICAL

FIGURE 8-33. PLUG AND RECEPTACLE INSTALLATION - SUPPLIED LOCALLY

ITEM	PART NUMBER	QTY	DESCRIPTION	REV
	0259127	Ref	PLUG AND RECEPTACLE INSTALLATION - SUPPLIED LOCALLY	2
1	See Note	1	Box, Switch (Note: Supplied Locally)	
2	See Note	1	Receptacle (Note: Supplied Locally)	
3	See Note	1	Shield, Cover (Note: Supplied Locally)	
4	See Note	1	Connector, Strain Relief (Note: Supplied Locally)	
5	See Note	1	Plug, Male (Note: Supplied Locally)	
6	4922610	1	Main Boom 220V Harness Assembly - CE Spec (See MAIN BOOM 220V HARNESS ASSEMBLY - CE SPEC for Breakdown)	
7	See Note	4	Screw, Self-tapping, #6-32 x 5/8 (Note: Supplied Locally)	
8	See Note	4	Washer, #6 (Note: Supplied Locally)	
9	See Note	1	Gasket (Note: Supplied Locally)	
10	4922609	1	Lower Boom 220V Harness Assembly - CE Spec (See LOWER BOOM 220V HARNESS ASSEMBLY - CE SPEC for Breakdown)	
12	See Note	1	Decal - 220V-50/60Hz (Note: Supplied Locally)	

SECTION 8 - ELECTRICAL

FIGURE 8-34. PLUG AND RECEPTACLE 220V INSTALLATION - ANSI SPEC



ART_0259125

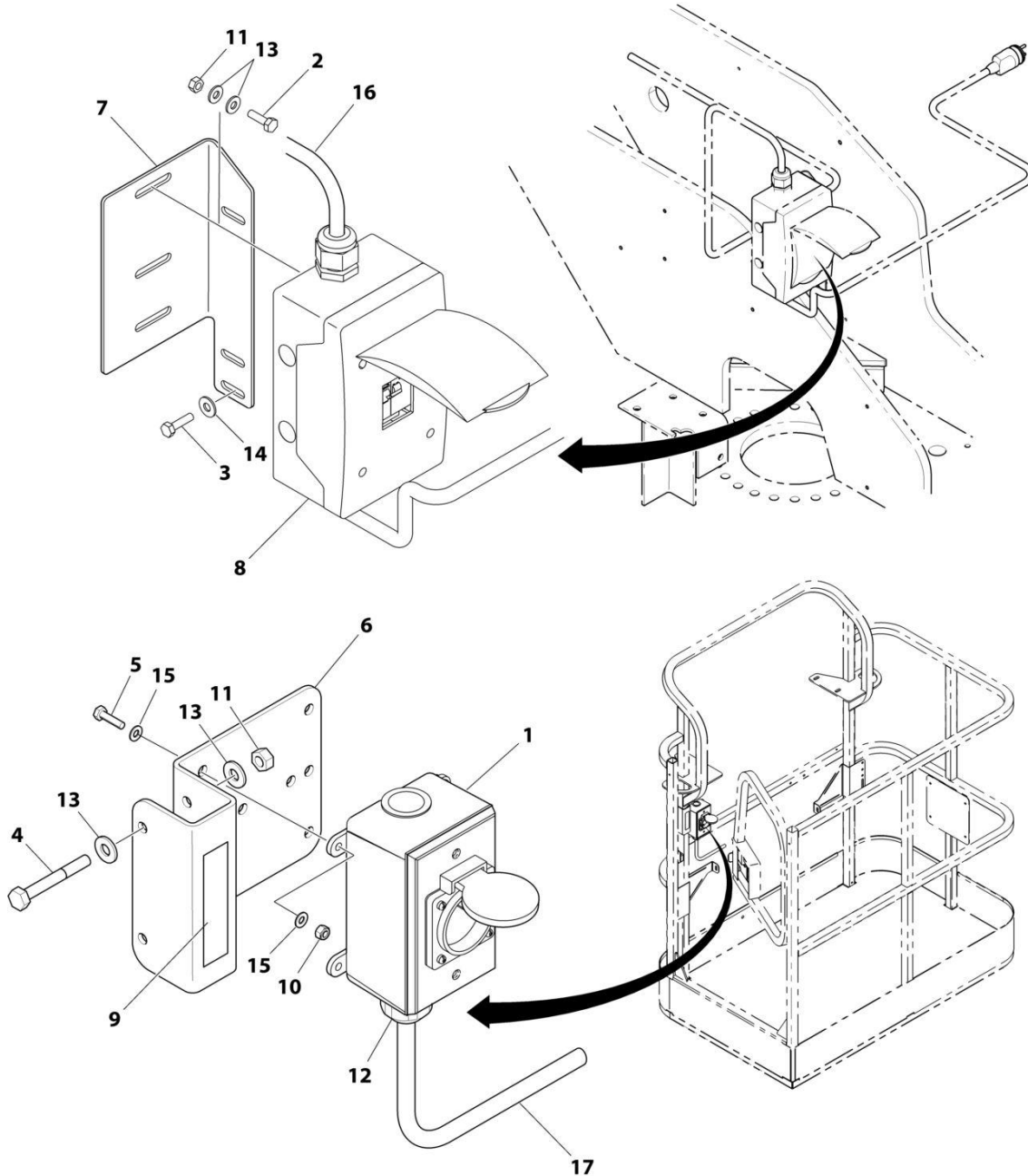
SECTION 8 - ELECTRICAL

FIGURE 8-34. PLUG AND RECEPTACLE 220V INSTALLATION - ANSI SPEC

ITEM	PART NUMBER	QTY	DESCRIPTION	REV
	0259125	Ref	PLUG AND RECEPTACLE 220V INSTALLATION - ANSI SPEC	4
1	0860038	1	Box, Switch	
2	4460125	1	Receptacle	
3	4060092	1	Shield, Cover	
4	4460071	1	Connector, Strain Relief	
5	4460233	1	Plug, Male	
6	4922608	1	Main Boom 110V Harness Assembly (See MAIN BOOM 110V HARNESS ASSEMBLY for Breakdown)	
7	3910610	4	Screw, Self-tapping, #6-32 x 5/8	
8	4760600	4	Washer, #6	
9	3960422	1	Gasket	
10	4922607	1	Lower Boom 110V Harness Assembly (See LOWER BOOM 110V HARNESS ASSEMBLY for Breakdown)	
12	3252507	1	Decal - 220V-50/60 Hz	

SECTION 8 - ELECTRICAL

FIGURE 8-35. PLUG AND RECEPTACLE 220V INSTALLATION - CE SPEC



ART_1001166251

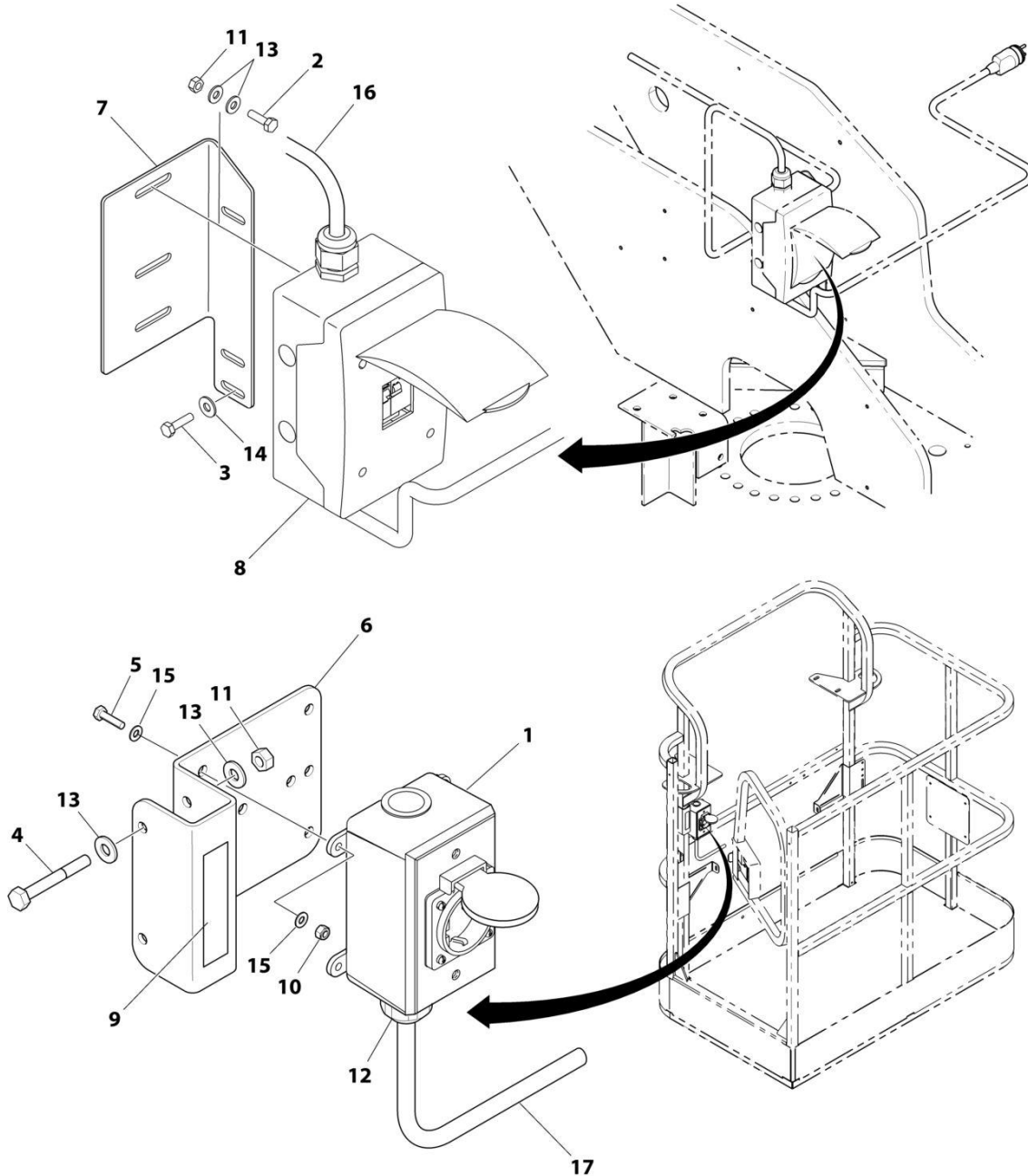
SECTION 8 - ELECTRICAL

FIGURE 8-35. PLUG AND RECEPTACLE 220V INSTALLATION - CE SPEC

ITEM	PART NUMBER	QTY	DESCRIPTION	REV
	1001166251	1	PLUG AND RECEPTACLE 220V INSTALLATION - CEE7 POST GROUND - 2 X 4 BOX - CE SPEC	
1	0275452	1	AC Plugs and Sockets Installation - CE Spec (See AC PLUGS AND SOCKETS INSTALLATION - CE SPEC for Breakdown)	
2	0641407	2	Bolt, 1/4-20 x 7/8	
3	0641408	2	Bolt, 1/4-20 x 1	
4	0641416	2	Bolt, 1/4-20 x 2	
5	0700408	4	Bolt, M4 x 16	
6	0903484	1	Bracket	
7	1001178491	1	Bracket	
8	2902549	1	Breaker Box Kit with Two Breakers - CE Spec (See BREAKER BOX KIT WITH TWO BREAKERS CE SPEC for Breakdown)	
9	3252507	2	Decal - 220V - 50/60Hz	
10	3290405	4	Nut, Lock, M4 x 0.7	
11	3311405	4	Nut, Lock, 1/4-20	
12	4460662	1	Connector, Strain Relief	
13	4711400	8	Washer, 1/4	
14	4751400	2	Washer, 1/4	
15	4811400	8	Washer, 4mm	
16	4922609	1	Lower Boom 220V Harness Assembly - CE Spec (See LOWER BOOM 220V HARNESS ASSEMBLY - CE SPEC for Breakdown)	
17	4922610	1	Main Boom 220V Harness Assembly - CE Spec (See MAIN BOOM 220V HARNESS ASSEMBLY - CE SPEC for Breakdown)	

SECTION 8 - ELECTRICAL

FIGURE 8-36. PLUG AND RECEPTACLE 220 INSTALLATION - CE SPEC



ART_1001166258

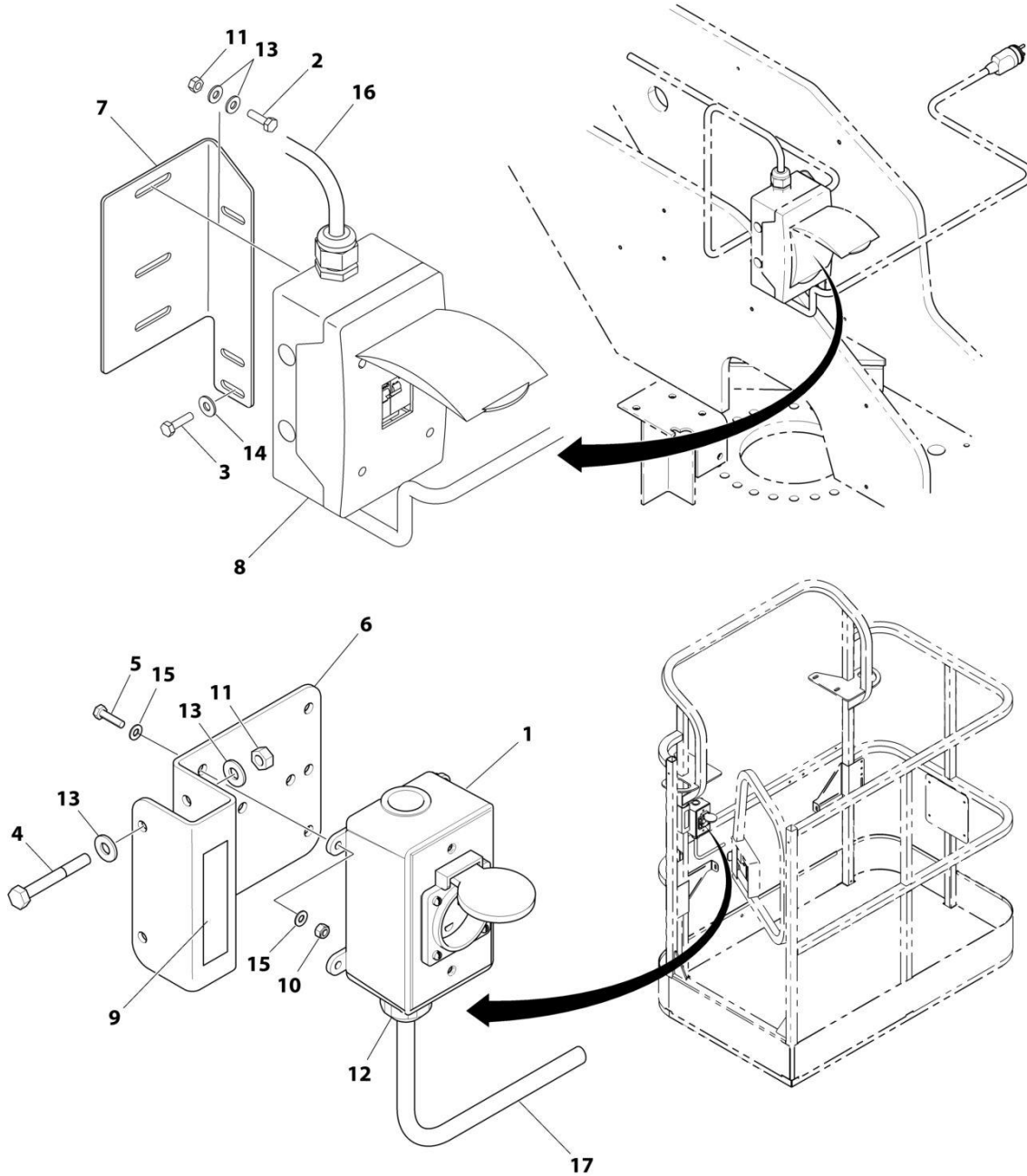
SECTION 8 - ELECTRICAL

FIGURE 8-36. PLUG AND RECEPTACLE 220 INSTALLATION - CE SPEC

ITEM	PART NUMBER	QTY	DESCRIPTION	REV
	1001166258	Ref	PLUG AND RECEPTACLE 220 INSTALLATION - CEE7 SIDE GROUND - 2 X 4 BOX - CE SPEC	B
1	0275453	1	AC Plugs and Sockets Installation - CE Spec (See AC PLUGS AND SOCKETS INSTALLATION - CE SPEC for Breakdown)	
2	0641407	2	Bolt, 1/4-20 x 7/8	
3	0641408	2	Bolt, 1/4-20 x 1	
4	0641416	2	Bolt, 1/4-20 x 2	
5	0700408	4	Bolt, M4 x 16	
6	0903484	1	Bracket	
7	1001178491	1	Bracket	
8	1001152485	1	Breaker Box Kit with Three Breakers - CE Spec (See BREAKER BOX KIT WITH THREE BREAKERS - CE SPEC for Breakdown)	
9	3252507	2	Decal - 220V - 50/60 Hz	
10	3290405	4	Nut, Lock, M4 x 0.7	
11	3311405	4	Nut, Lock, 1/4-20	
12	4460662	1	Connector, Strain Relief	
13	4711400	8	Washer, 1/4	
14	4751400	2	Washer, 1/4	
15	4811400	8	Washer, 4mm	
16	4922609	1	Lower Boom 220V Harness Assembly - CE Spec (See LOWER BOOM 220V HARNESS ASSEMBLY - CE SPEC for Breakdown)	
17	4922610	1	Main Boom 220V Harness Assembly - CE Spec (See MAIN BOOM 220V HARNESS ASSEMBLY - CE SPEC for Breakdown)	

SECTION 8 - ELECTRICAL

FIGURE 8-37. PLUG AND RECEPTACLE 220V INSTALLATION - CE SPEC



ART_1001166259

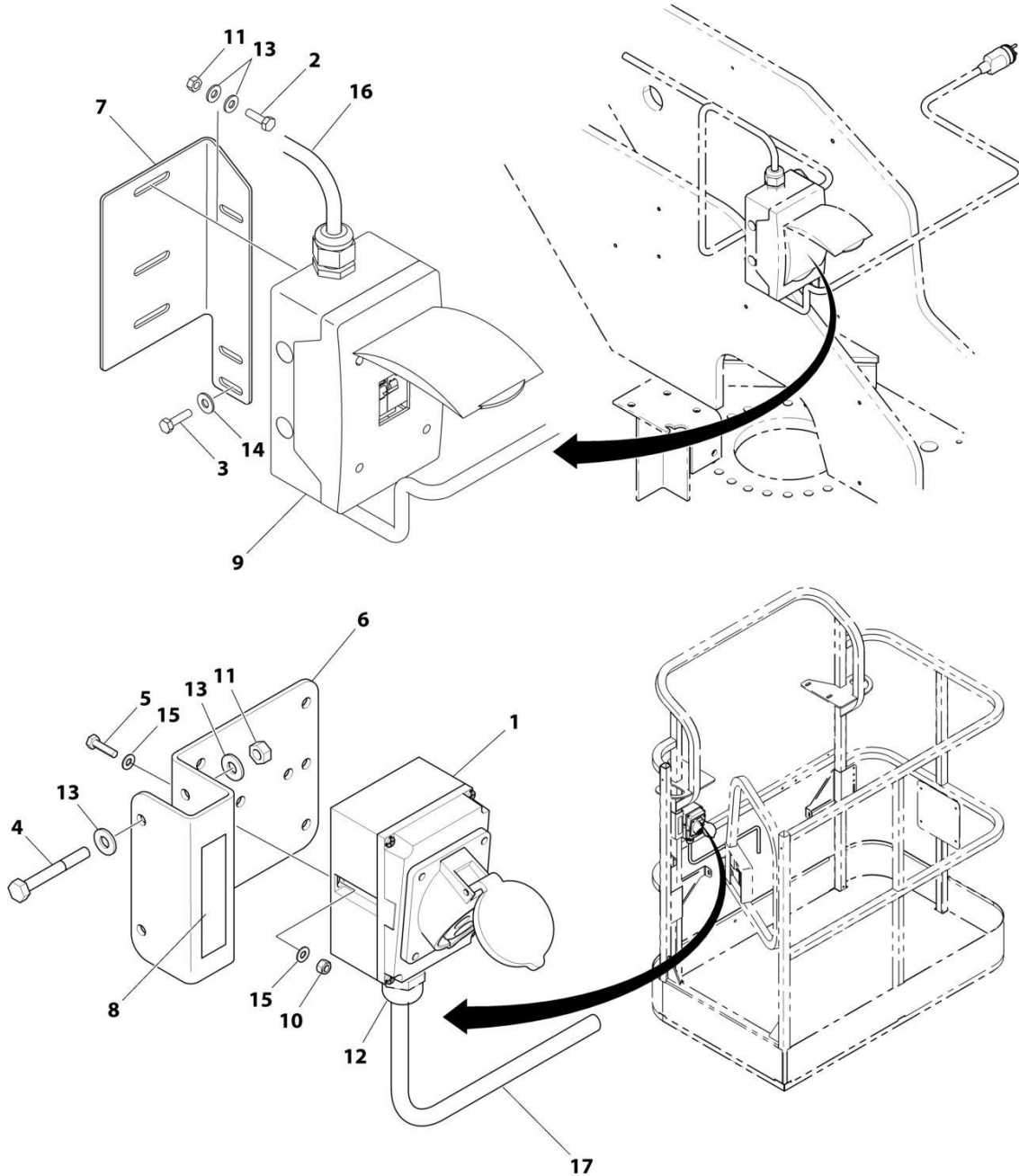
SECTION 8 - ELECTRICAL

FIGURE 8-37. PLUG AND RECEPTACLE 220V INSTALLATION - CE SPEC

ITEM	PART NUMBER	QTY	DESCRIPTION	REV
	1001166259	Ref	PLUG AND RECEPTACLE 220V INSTALLATION - AFSINT 107 KEYED GROUND - 2 X 4 BOX - CE SPEC	B
1	0275454	1	AC Plugs and Sockets Installation - CE Spec (See AC PLUGS AND SOCKETS INSTALLATION - CE SPEC for Breakdown)	
2	0641407	2	Bolt, 1/4-20 x 7/8	
3	0641408	2	Bolt, 1/4-20- x 1	
4	0641416	2	Bolt, 1/4-20 x 2	
5	0700408	4	Bolt, M4 x 16	
6	0903484	1	Bracket	
7	1001178491	1	Bracket	
8	2902549	1	Breaker Box Kit with Two Breakers - CE Spec (See BREAKER BOX KIT WITH TWO BREAKERS - CE SPEC for Breakdown)	
9	3252507	2	Decal - 220V - 50/60 Hz	
10	3290405	4	Nut, Lock, M4 x 0.7	
11	3311405	4	Nut, Lock, 1/4-20	
12	4460662	1	Connector, Strain Relief	
13	4711400	8	Washer, 1/4	
14	4751400	2	Washer, 1/4	
15	4811400	8	Washer, 4mm	
16	4922609	1	Lower Boom 220V Harness Assembly - CE Spec (See LOWER BOOM 220V HARNESS ASSEMBLY - CE SPEC for Breakdown)	
17	4922610	1	Main Boom 220V Harness Assembly - CE Spec (See MAIN BOOM 220V HARNESS ASSEMBLY - CE SPEC for Breakdown)	

SECTION 8 - ELECTRICAL

FIGURE 8-38. PLUG AND RECEPTACLE 110V INSTALLATION - CE SPEC



ART_1001166263

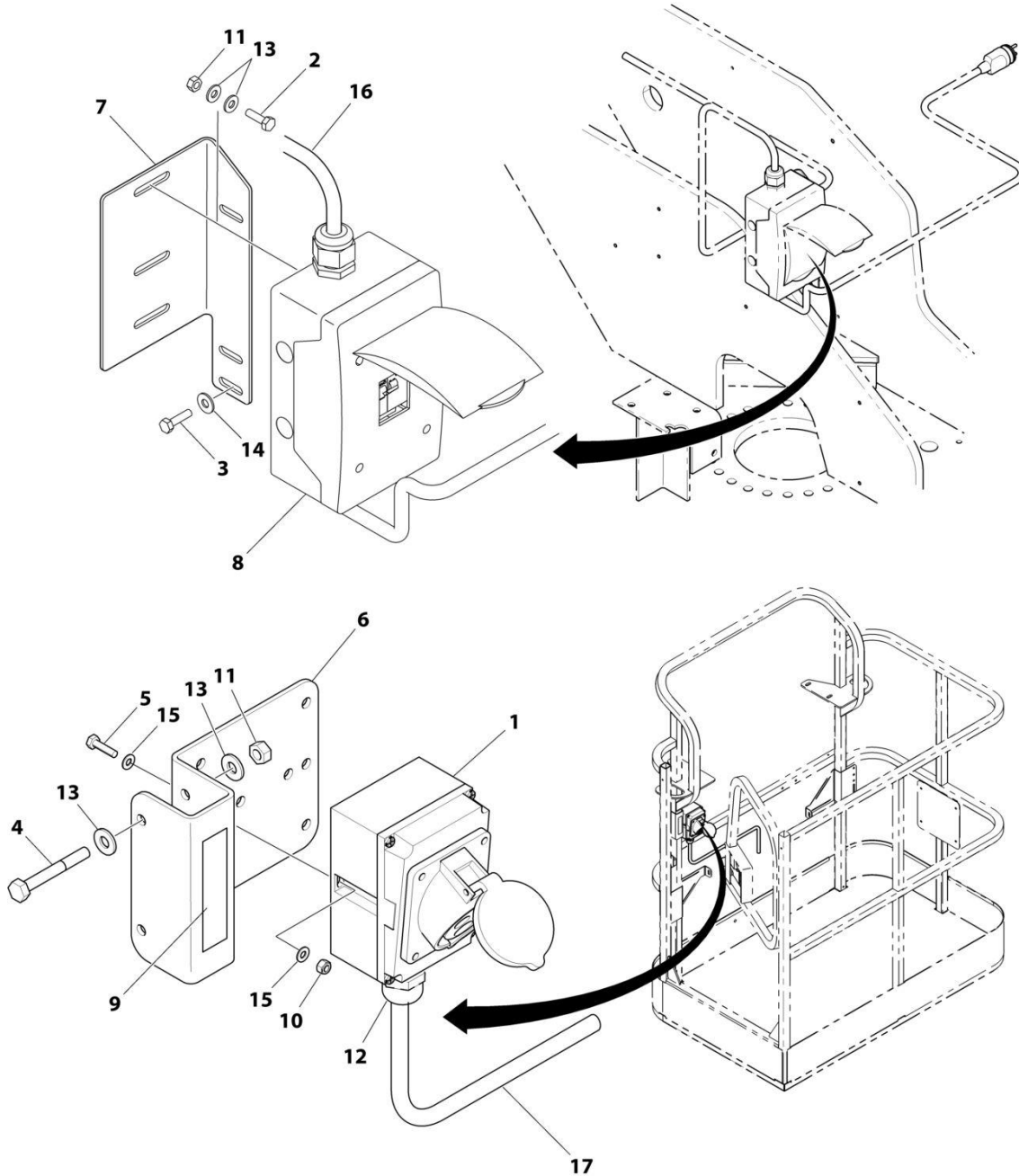
SECTION 8 - ELECTRICAL

FIGURE 8-38. PLUG AND RECEPTACLE 110V INSTALLATION - CE SPEC

ITEM	PART NUMBER	QTY	DESCRIPTION	REV
	1001166263	Ref	PLUG AND RECEPTACLE 110V INSTALLATION - IEC 60309 - YELLOW - CE SPEC	B
1	0275216	1	AC Plugs and Sockets Installation - CE Spec (See AC PLUGS AND SOCKETS INSTALLATION - CE SPEC for Breakdown)	
2	0641407	2	Bolt, 1/4-20 x 7/8	
3	0641408	2	Bolt, 1/4-20 x 1	
4	0641416	2	Bolt, 1/4-20 x 2	
5	0700408	2	Bolt, M4 x 16	
6	0903484	1	Bracket	
7	1001178491	1	Bracket	
8	1705325	2	Decal - 120V - 50 Hz	
9	2902549	1	Breaker Box Kit with Two Breakers - CE Spec (See BREAKER BOX KIT WITH TWO BREAKERS CE SPEC for Breakdown)	
10	3290405	2	Nut, Lock, M4 x 0.7	
11	3311405	4	Nut, Lock, 1/4-20	
12	4460968	1	Connector, Strain Relief	
13	4711400	8	Washer, 1/4	
14	4751400	2	Washer, 1/4	
15	4811400	4	Washer, 4mm	
16	4922609	1	Lower Boom 220V Harness Assembly - CE Spec (See LOWER BOOM 220V HARNESS ASSEMBLY - CE SPEC for Breakdown)	
17	4922610	1	Main Boom 220V Harness Assembly - CE Spec (See MAIN BOOM 220V HARNESS ASSEMBLY - CE SPEC for Breakdown)	

SECTION 8 - ELECTRICAL

FIGURE 8-39. PLUG AND RECEPTACLE 220V INSTALLATION - CE SPEC



ART_1001166260

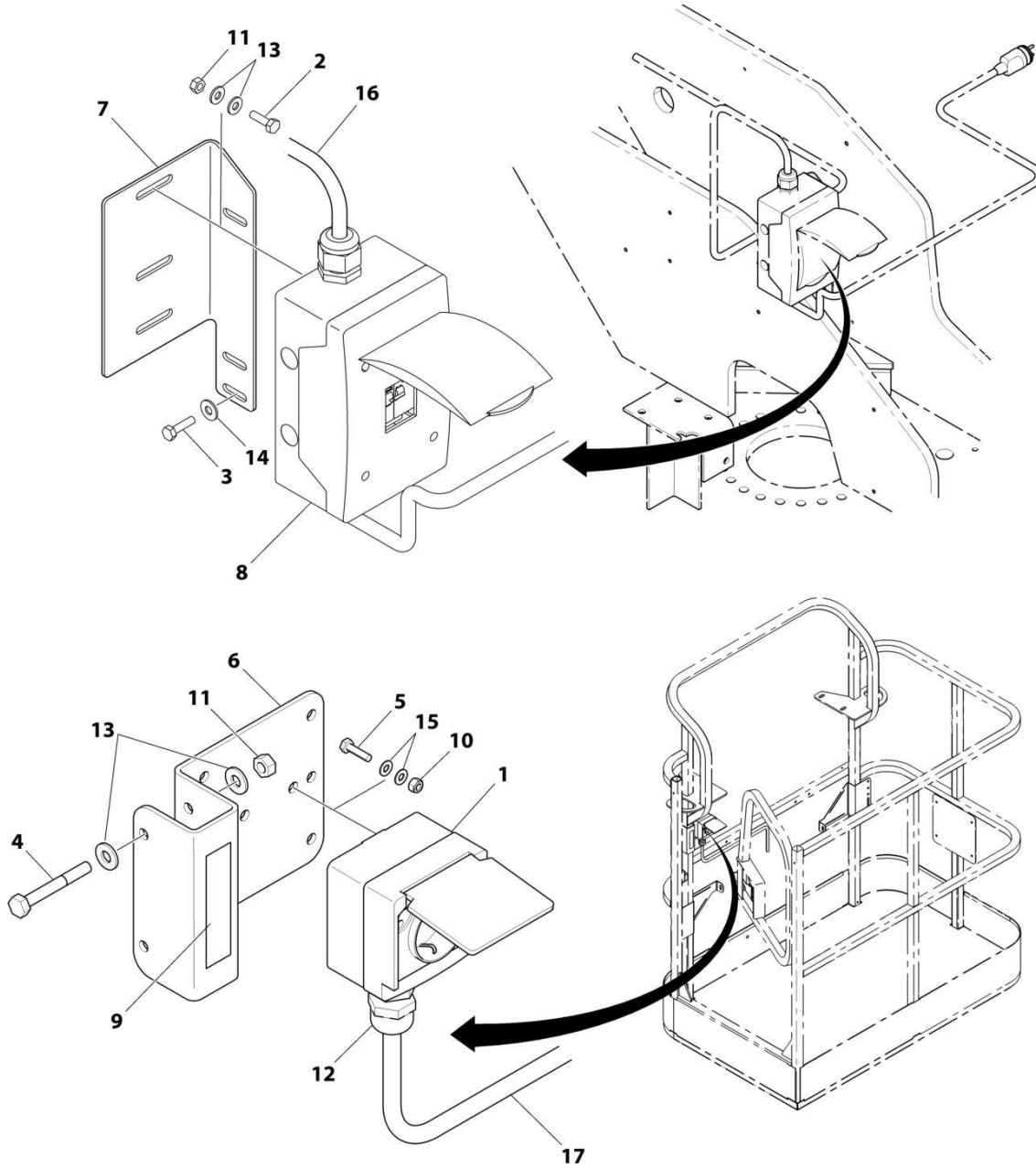
SECTION 8 - ELECTRICAL

FIGURE 8-39. PLUG AND RECEPTACLE 220V INSTALLATION - CE SPEC

ITEM	PART NUMBER	QTY	DESCRIPTION	REV
	1001166260	Ref	PLUG AND RECEPTACLE 220VINSTALLATION - IEC 60309 - BLUE - CE SPEC	B
1	0275217	1	AC Plugs and Sockets Installation - CE Spec (See AC PLUGS AND SOCKETS INSTALLATION - CE SPEC for Breakdown)	
2	0641407	2	Bolt, 1/4-20 x 7/8	
3	0641408	2	Bolt, 1/4-20 x 1	
4	0641416	2	Bolt, 1/4-20 x 2	
5	0700408	2	Bolt, M4 x 16	
6	0903484	1	Bracket	
7	1001178491	1	Bracket	
8	2902549	1	Breaker Box Kit with Two Breakers - CE Spec (See BREAKER BOX KIT WITH TWO BREAKERS - CE SPEC for Breakdown)	
9	3252507	2	Decal - 220V - 50/60 Hz	
10	3290405	2	Nut, Lock, M4 x 0.7	
11	3311405	4	Nut, Lock, 1/4-20	
12	4460968	1	Connector, Strain Relief	
13	4711400	8	Washer, 1/4	
14	4751400	2	Washer, 1/4	
15	4811400	4	Washer, 4mm	
16	4922609	1	Lower Boom 220V Harness Assembly - CE Spec (See LOWER BOOM 220V HARNESS ASSEMBLY - CE SPEC for Breakdown)	
17	4922610	1	Main Boom 220V Harness Assembly - CE Spec (See MAIN BOOM 220V HARNESS ASSEMBLY - CE SPEC for Breakdown)	

SECTION 8 - ELECTRICAL

FIGURE 8-40. PLUG AND RECEPTACLE 220V INSTALLATION - CE SPEC



ART_1001166261

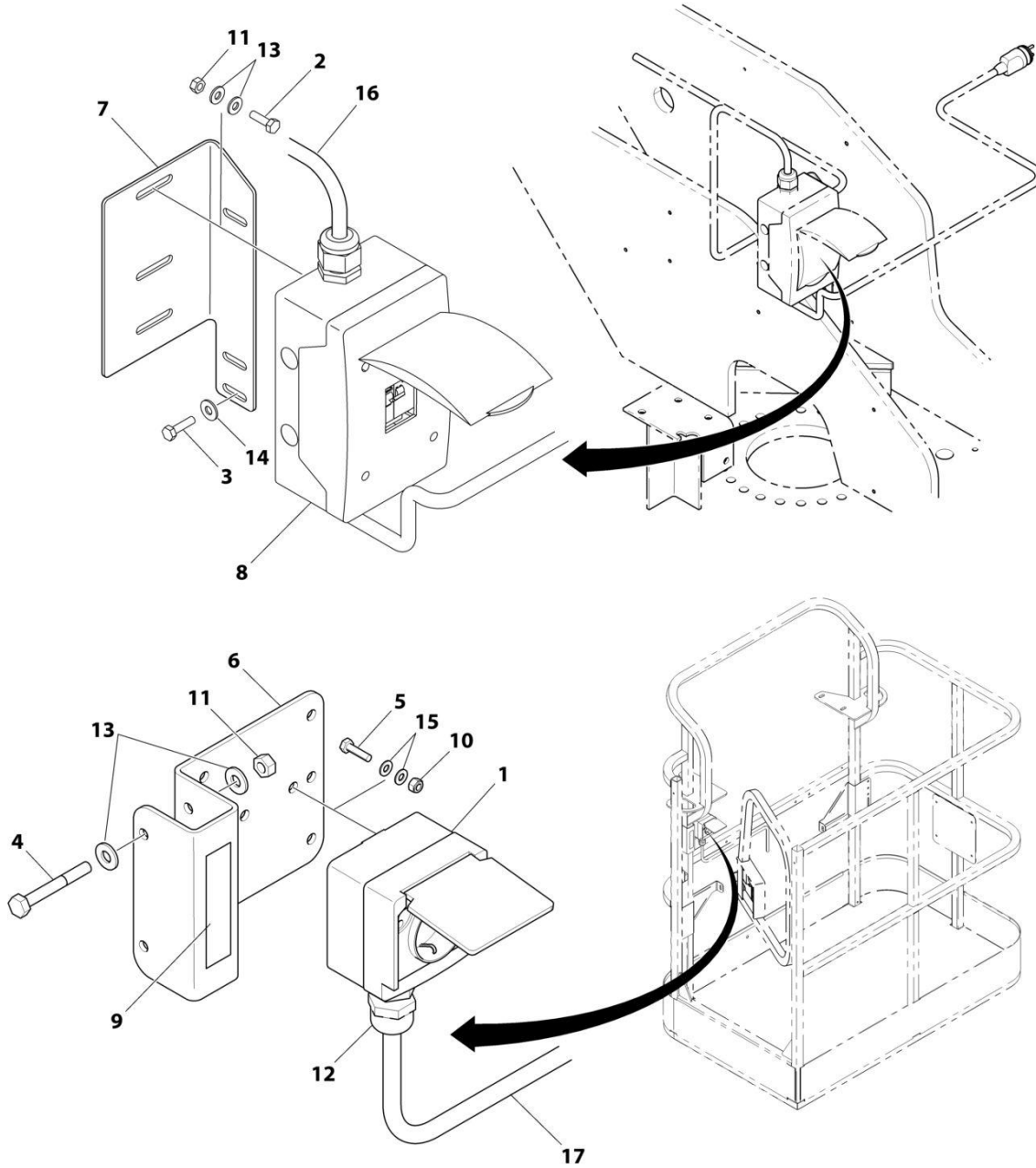
SECTION 8 - ELECTRICAL

FIGURE 8-40. PLUG AND RECEPTACLE 220V INSTALLATION - CE SPEC

ITEM	PART NUMBER	QTY	DESCRIPTION	REV
	1001166261	Ref	PLUG AND RECEPTACLE 220VINSTALLATION - CEE7 POST GROUND - 70MM X 70MM BOX - CE SPEC	B
1	0275218	1	AC Plugs and Sockets Installation - CE Spec (See AC PLUGS AND SOCKETS INSTALLATION - CE SPEC for Breakdown)	
2	0641407	2	Bolt, 1/4-20 x 7/8	
3	0641408	2	Bolt, 1/4-20 x 1	
4	0641416	2	Bolt, 1/4-20 x 2	
5	0700408	2	Bolt, M4 x 16	
6	0903484	1	Bracket	
7	1001178491	1	Bracket	
8	2902549	1	Breaker Box Kit with Two Breakers - CE Spec (See BREAKER BOX KIT WITH TWO BREAKERS CE Spec for Breakdown)	
9	3252507	2	Decal - 220V - 50/60 Hz	
10	3290405	2	Nut, Lock, M4 x 0.7	
11	3311405	4	Nut, Lock, 1/4-20	
12	4460968	1	Connector, Strain Relief	
13	4711400	8	Washer, 1/4	
14	4751400	2	Washer, 1/4	
15	4811400	8	Washer, 4mm	
16	4922609	1	Lower Boom 220V Harness Assembly - CE Spec (See LOWER BOOM 220V HARNESS ASSEMBLY - CE SPEC for Breakdown)	
17	4922610	1	Main Boom 220V Harness Assembly - CE Spec (See MAIN BOOM 220V HARNESS ASSEMBLY - CE SPEC for Breakdown)	

SECTION 8 - ELECTRICAL

FIGURE 8-41. PLUG AND RECEPTACLE 110V INSTALLATION - CE SPEC



ART_1001166262

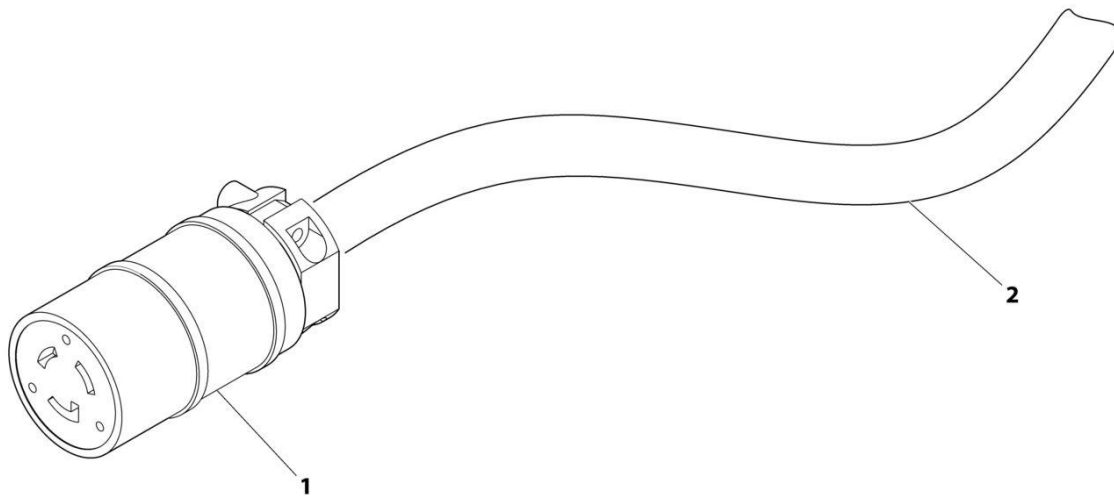
SECTION 8 - ELECTRICAL

FIGURE 8-41. PLUG AND RECEPTACLE 110V INSTALLATION - CE SPEC

ITEM	PART NUMBER	QTY	DESCRIPTION	REV
	1001166262	Ref	PLUG AND RECEPTACLE 220VINSTALLATION - CEE7 SIDE GROUND - 70MM X 70MM BOX - CE SPEC	B
1	0275219	1	AC Plugs and Sockets Installation - CE Spec (See AC PLUGS AND SOCKETS INSTALLATION - CE SPEC for Breakdown)	
2	0641407	2	Bolt, 1/4-20 x 7/8	
3	0641408	2	Bolt, 1/4-20 x 1	
4	0641416	2	Bolt, 1/4-20 x 2	
5	0700408	2	Bolt, M4 x 16	
6	0903484	1	Bracket	
7	1001178491	1	Bracket	
8	1001152485	1	Breaker Box Kit with Three Breakers - CE Spec (See BREAKER BOX KIT WITH THREE BREAKERS - CE SPEC for Breakdown)	
9	3252507	2	Decal - 220V - 50/60 Hz	
10	3290405	2	Nut, Lock, M4 x 0.7	
11	3311405	4	Nut, Lock, 1/4-20	
12	4460968	1	Connector, Strain Relief	
13	4711400	8	Washer, 1/4	
14	4751400	2	Washer, 1/4	
15	4811400	8	Washer, 4mm	
16	4922609	1	Lower Boom 220V Harness Assembly - CE Spec (See LOWER BOOM 220V HARNESS ASSEMBLY - CE SPEC for Breakdown)	
17	4922610	1	Main Boom 220V Harness Assembly - CE Spec (See MAIN BOOM 220V HARNESS ASSEMBLY - CE SPEC for Breakdown)	

SECTION 8 - ELECTRICAL

FIGURE 8-42. LOWER BOOM 110V HARNESS ASSEMBLY



ART_4922607

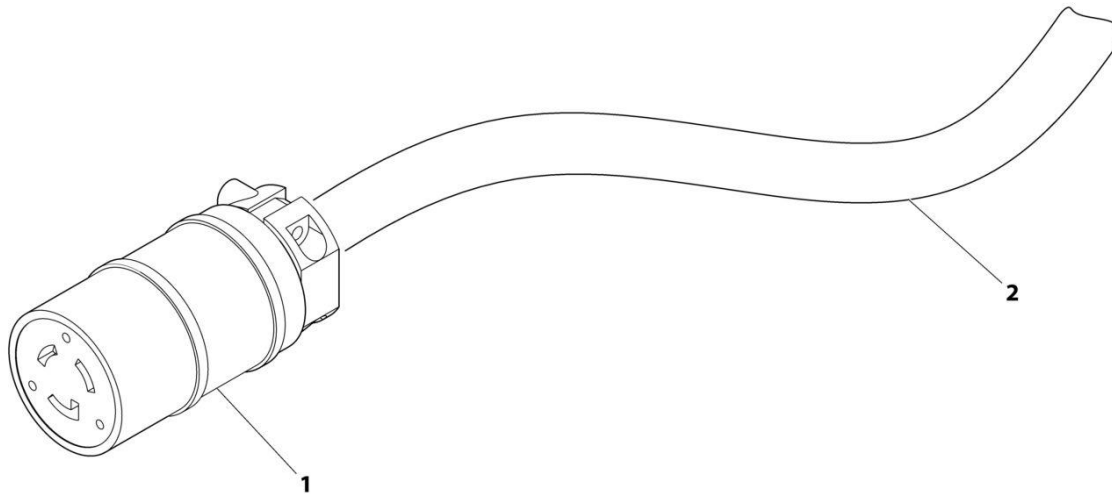
SECTION 8 - ELECTRICAL

FIGURE 8-42. LOWER BOOM 110V HARNESS ASSEMBLY

ITEM	PART NUMBER	QTY	DESCRIPTION	REV
	4922607	Ref	LOWER BOOM 110V HARNESS ASSEMBLY	1
1	4460134	1	Connector, Female	
2	1060494	37 ft/11.3m	Electrical Cable, 12/3	

SECTION 8 - ELECTRICAL

FIGURE 8-43. LOWER BOOM 220V HARNESS ASSEMBLY - CE SPEC



ART_4922609

SECTION 8 - ELECTRICAL

FIGURE 8-43. LOWER BOOM 220V HARNESS ASSEMBLY - CE SPEC

ITEM	PART NUMBER	QTY	DESCRIPTION	REV
	4922609	Ref	LOWER BOOM 220V HARNESS ASSEMBLY - CE SPEC	1
1	4460710	1	Connector, Female	
2	1060461	37 ft/11.3m	Electrical Cable, 12/3	

SECTION 8 - ELECTRICAL

FIGURE 8-44. MAIN BOOM 110V HARNESS ASSEMBLY



ART_4922608

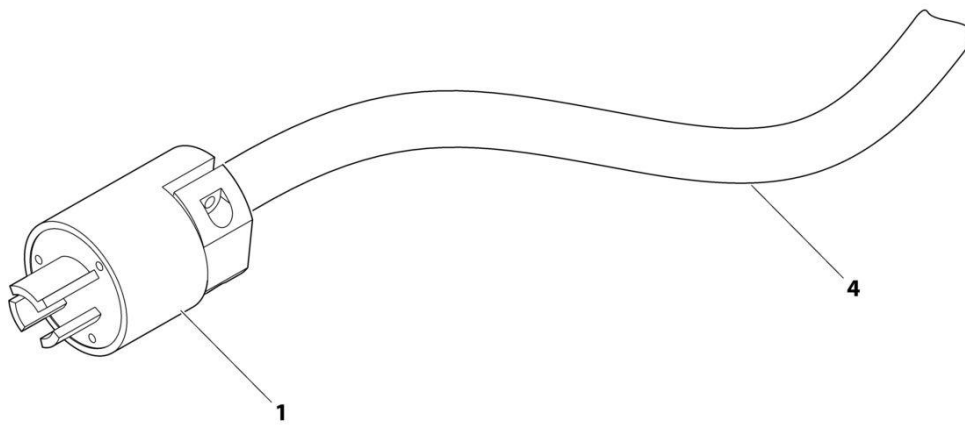
SECTION 8 - ELECTRICAL

FIGURE 8-44. MAIN BOOM 110V HARNESS ASSEMBLY

ITEM	PART NUMBER	QTY	DESCRIPTION	REV
	4922608	Ref	MAIN BOOM 110V HARNESS ASSEMBLY	2
1	4460205	1	Plug, Male	
4	1060494	27.2 ft/8.3m	Electrical Cable, 12/3	

SECTION 8 - ELECTRICAL

FIGURE 8-45. MAIN BOOM 220V HARNESS ASSEMBLY - CE SPEC



ART_4922610

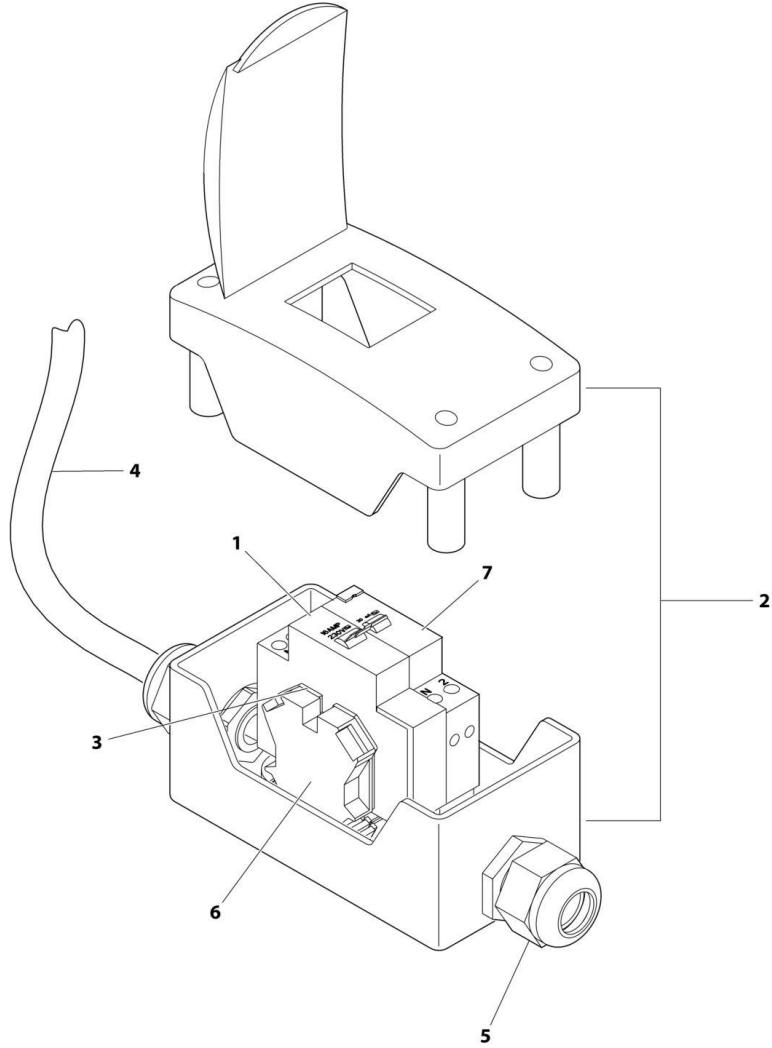
SECTION 8 - ELECTRICAL

FIGURE 8-45. MAIN BOOM 220V HARNESS ASSEMBLY - CE SPEC

ITEM	PART NUMBER	QTY	DESCRIPTION	REV
	4922610	Ref	MAIN BOOM 220V HARNESS ASSEMBLY - CE SPEC	1
1	4460709	1	Plug, Male	
4	1060461	28 ft/8.5m	Electrical Cable, 12/3	

SECTION 8 - ELECTRICAL

FIGURE 8-46. BREAKER BOX KIT WITH TWO BREAKERS - CE SPEC



ART_2902549

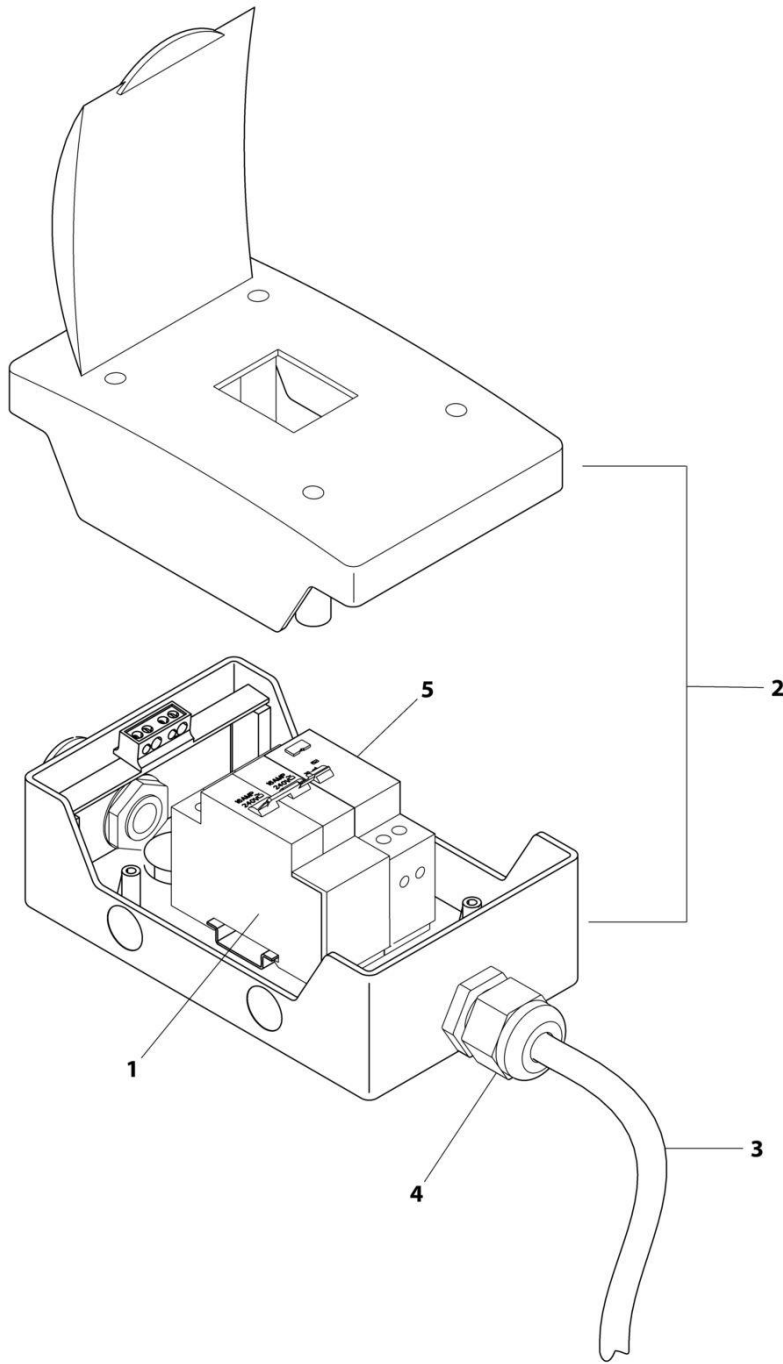
SECTION 8 - ELECTRICAL

FIGURE 8-46. BREAKER BOX KIT WITH TWO BREAKERS - CE SPEC

ITEM	PART NUMBER	QTY	DESCRIPTION	REV
	2902549	Ref	BOX AND BREAKER KIT	D
1	1001109475	1	Breaker, 16 Amp	
2	0861880	1	Box	
3	4460956	1	Barrier, Terminal	
4	1060908	6 ft/1.8m	Cable, 12/3	
5	1001097150	2	Connector, Strain Relief	
6	4460957	1	Block, Terminal	
7	1001109482	1	Breaker, 30mA	

SECTION 8 - ELECTRICAL

FIGURE 8-47. BREAKER BOX KIT WITH THREE BREAKERS - CE SPEC



ART_1001152485

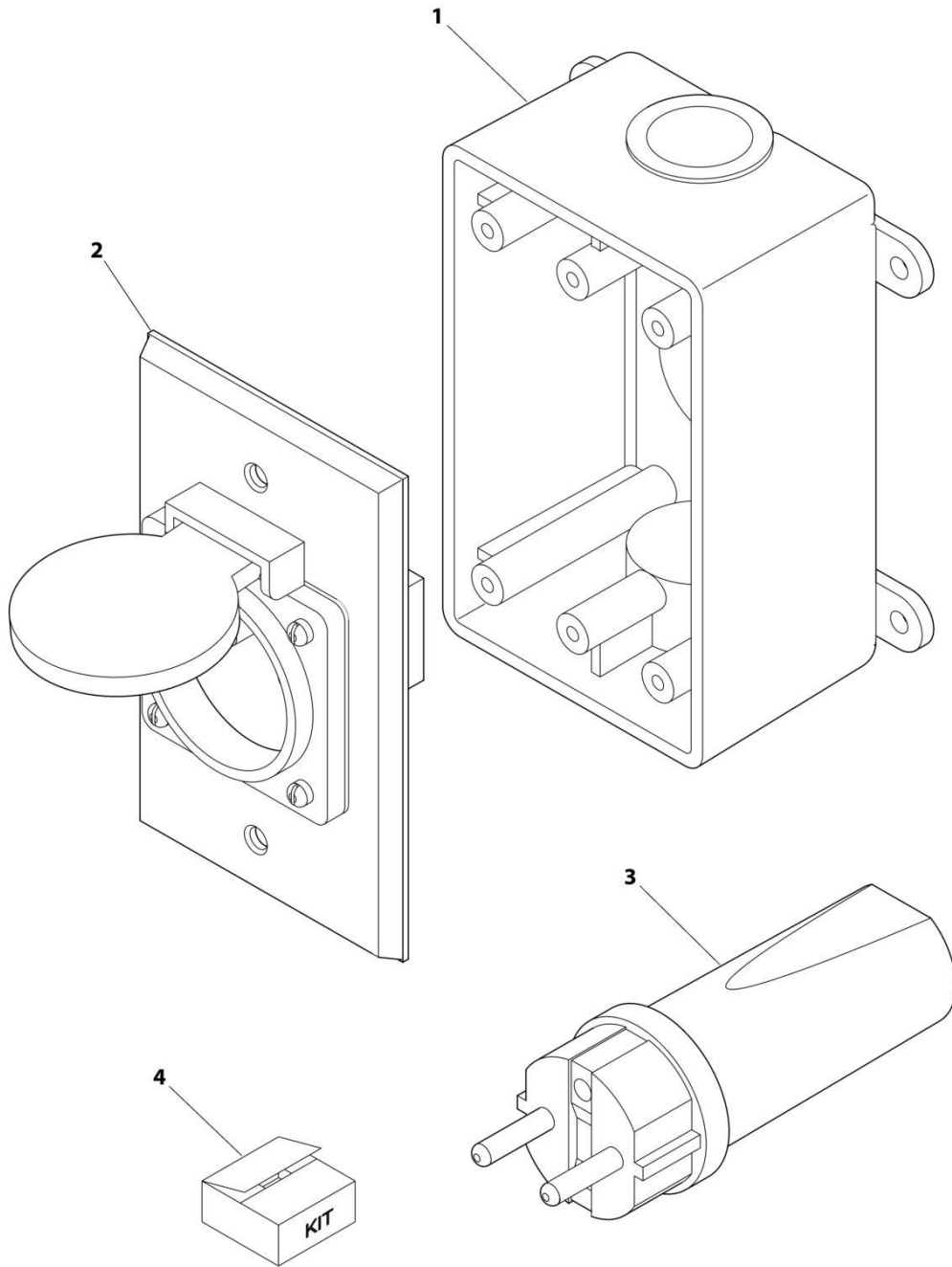
SECTION 8 - ELECTRICAL

FIGURE 8-47. BREAKER BOX KIT WITH THREE BREAKERS - CE SPEC

ITEM	PART NUMBER	QTY	DESCRIPTION	REV
	1001152485	Ref	BOX AND BREAKER KIT	A
1	1001152479	1	Breaker, 16 Amp, (Double)	
2	1001152483	1	Box	
3	1060908	6 ft/1.8m	Cable, 12/3	
4	1001097150	2	Connector, Strain Relief	
5	1001152482	1	Breaker, 30mA	

SECTION 8 - ELECTRICAL

FIGURE 8-48. AC PLUGS AND SOCKETS INSTALLATION - CE SPEC



ART_0275452

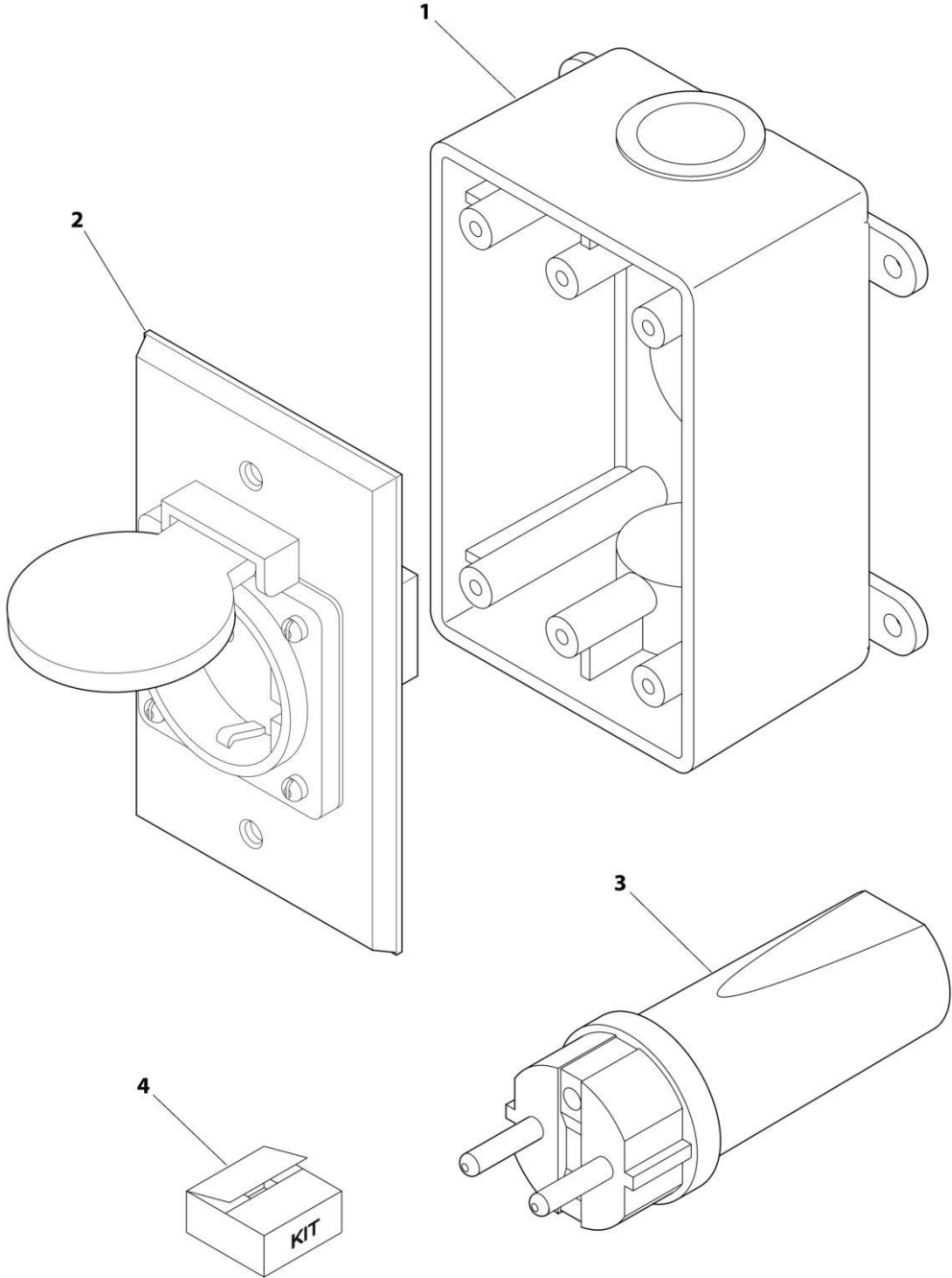
SECTION 8 - ELECTRICAL

FIGURE 8-48. AC PLUGS AND SOCKETS INSTALLATION - CE SPEC

ITEM	PART NUMBER	QTY	DESCRIPTION	REV
	0275452	Ref	PLUGS AND SOCKETS INSTALLATION - CEE7 POST GROUND - 2 X 4 BOX	1
1	0861731	1	Box, Switch	
2	4461244	1	Receptacle	
3	4461202	1	Plug, Male	
4	1001100345	1	Plug and Socket Kit (Includes Items 1-3 and Female Plug p/n 4461206)	

SECTION 8 - ELECTRICAL

FIGURE 8-49. AC PLUGS AND SOCKETS INSTALLATION - CE SPEC



ART_0275453

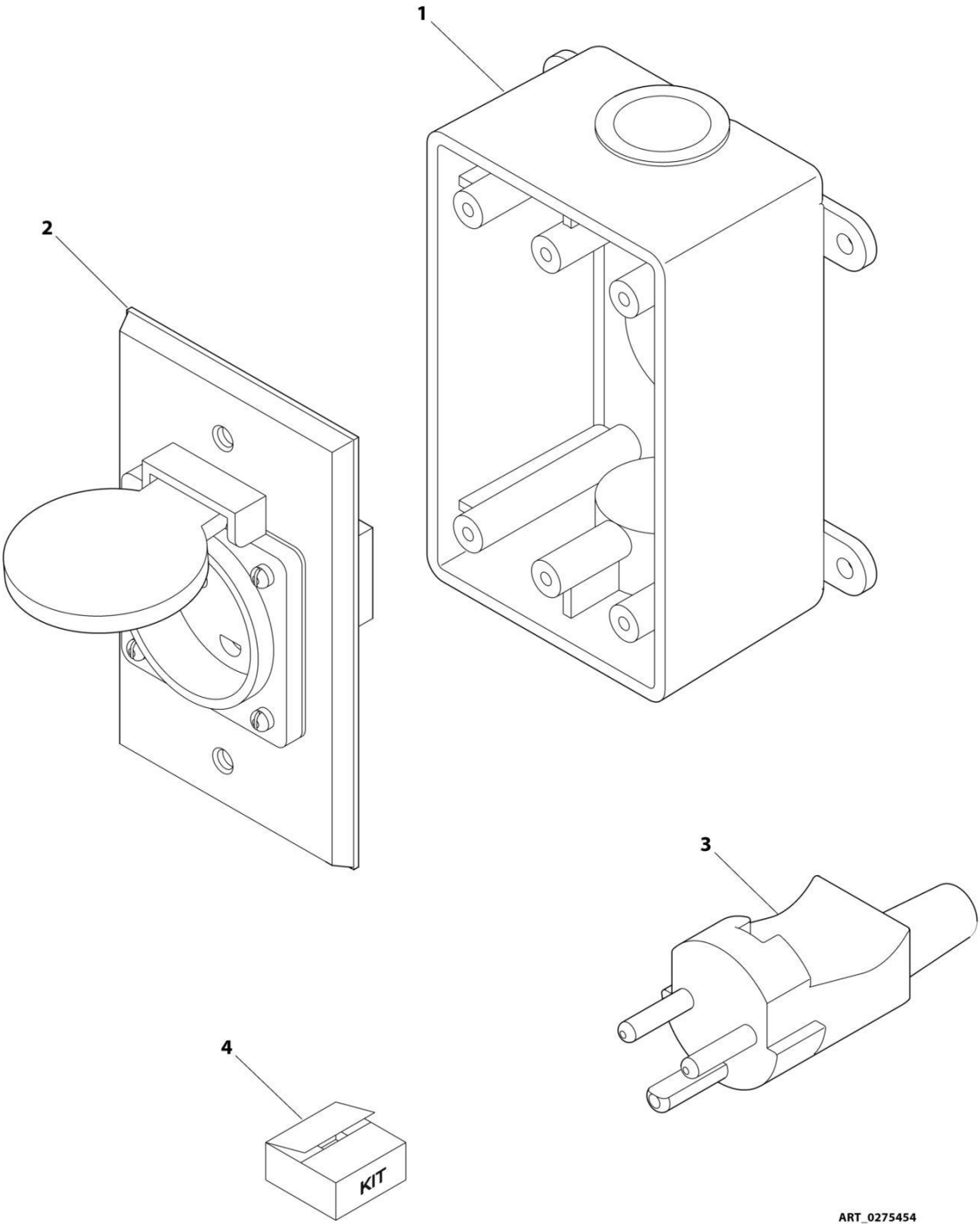
SECTION 8 - ELECTRICAL

FIGURE 8-49. AC PLUGS AND SOCKETS INSTALLATION - CE SPEC

ITEM	PART NUMBER	QTY	DESCRIPTION	REV
	0275453	Ref	PLUGS AND SOCKETS INSTALLATION - CEE7 SIDE GROUND - 2 X 4 BOX	1
1	0861731	1	Box, Switch	
2	4461245	1	Receptacle	
3	4461205	1	Plug, Male	
4	1001100347	1	Plug and Socket Kit (Includes Items 1-3 and Female Plug p/n 4461206)	

SECTION 8 - ELECTRICAL

FIGURE 8-50. AC PLUGS AND SOCKETS INSTALLATION - CE SPEC



ART_0275454

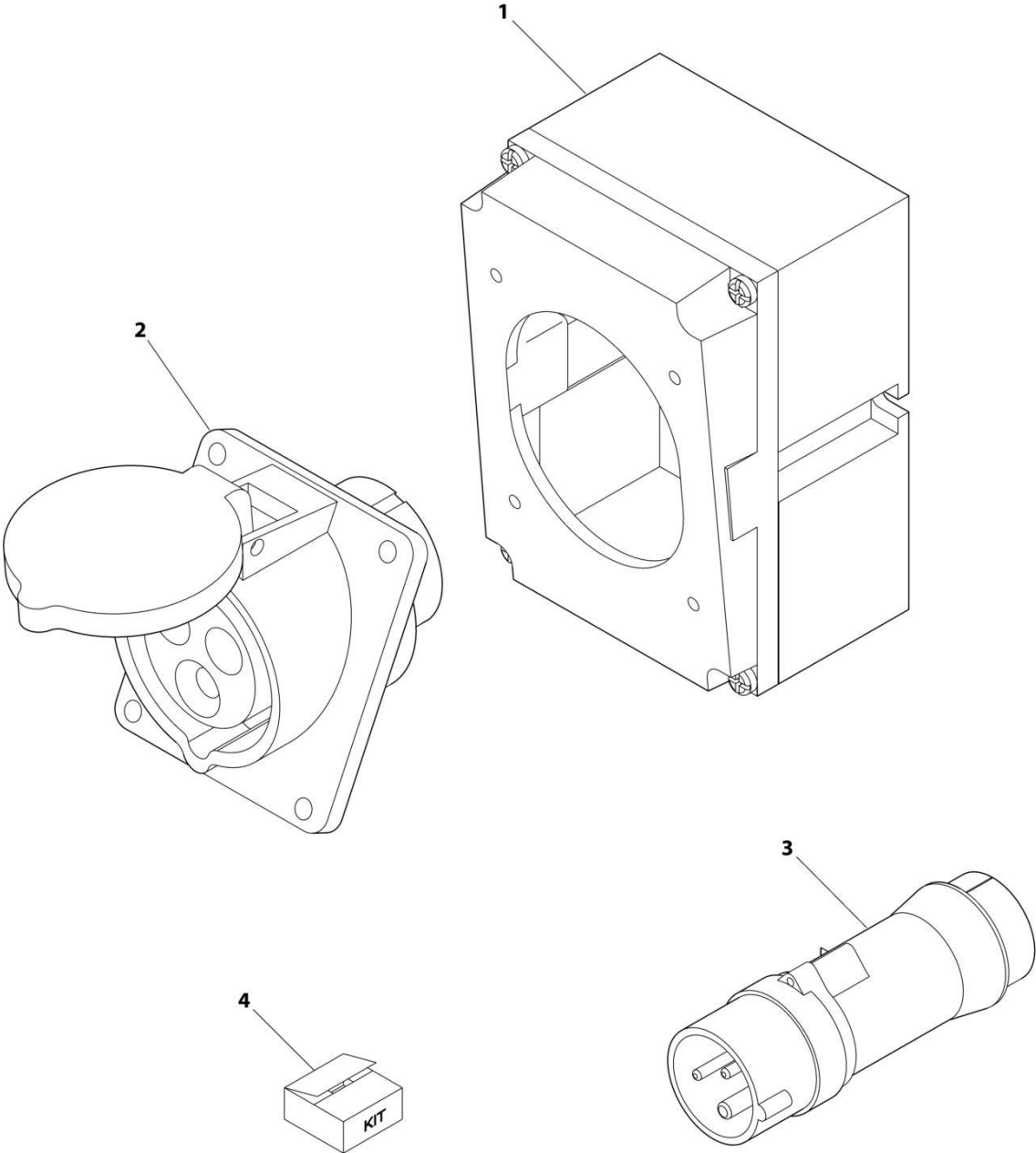
SECTION 8 - ELECTRICAL

FIGURE 8-50. AC PLUGS AND SOCKETS INSTALLATION - CE SPEC

ITEM	PART NUMBER	QTY	DESCRIPTION	REV
	0275454	Ref	PLUGS AND SOCKETS INSTALLATION - AFSNIT 107-2-01 KEYED GROUND - 2 X 4 BOX	1
1	0861731	1	Box, Switch	
2	4461246	1	Receptacle	
3	4461249	1	Plug, Male	
4	1001100346	1	Plug and Socket Kit (Includes Items 1-3 and Female Plug p/n 4461250)	

SECTION 8 - ELECTRICAL

FIGURE 8-51. PLUGS AND SOCKETS INSTALLATION - CE SPEC



ART. 0275216

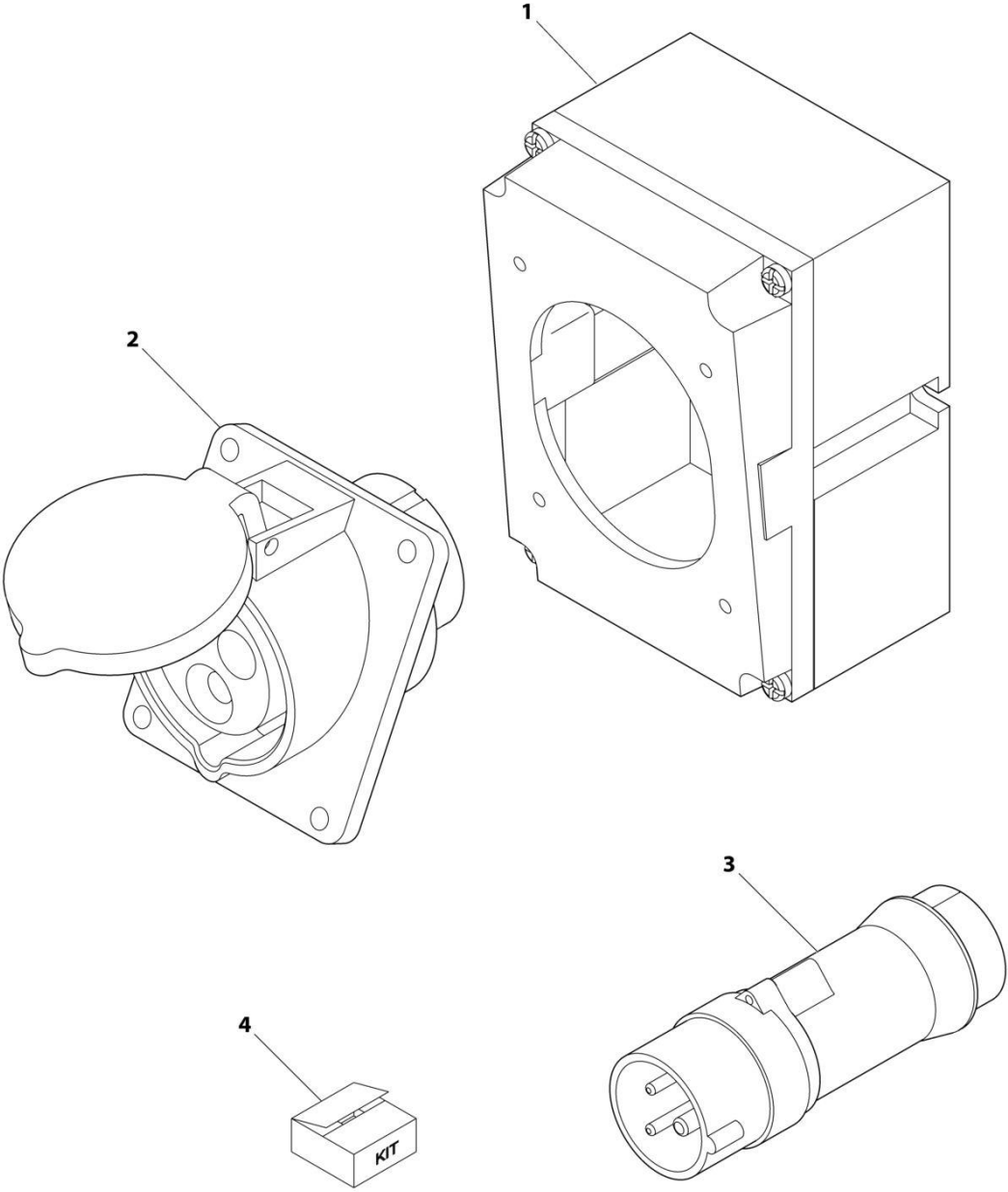
SECTION 8 - ELECTRICAL

FIGURE 8-51. PLUGS AND SOCKETS INSTALLATION - CE SPEC

ITEM	PART NUMBER	QTY	DESCRIPTION	REV
	0275216	Ref	PLUGS AND SOCKETS INSTALLATION - IEC 60309 YELLOW	1
1	0861781	1	Box, Switch	
2	4461198	1	Receptacle	
3	4461196	1	Plug, Male	
4	1001100341	1	Plug and Socket Kit (Includes Items 1-3 and Female Plug p/n 4461197)	

SECTION 8 - ELECTRICAL

FIGURE 8-52. PLUGS AND SOCKETS INSTALLATION - CE SPEC



ART_0275217

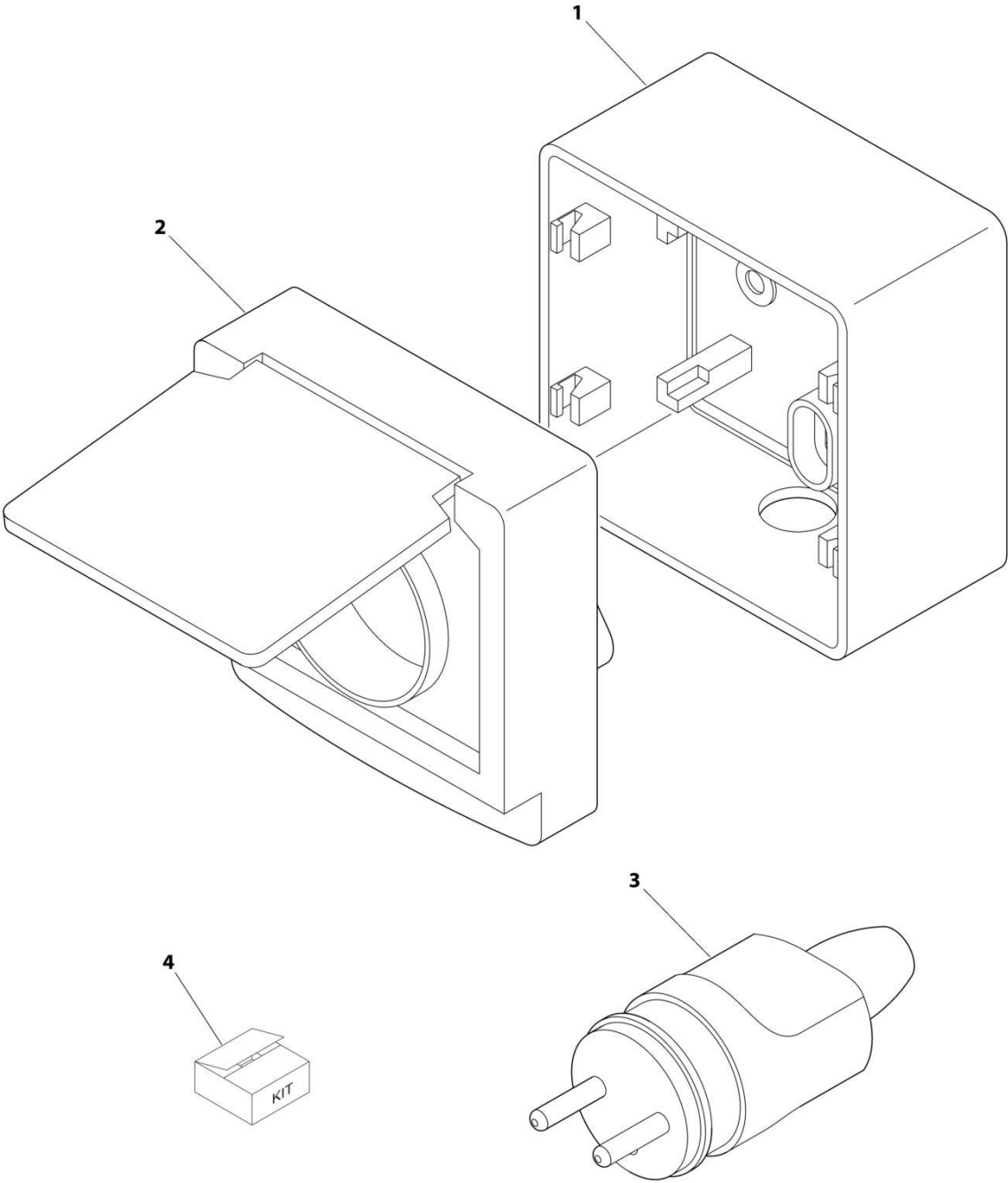
SECTION 8 - ELECTRICAL

FIGURE 8-52. PLUGS AND SOCKETS INSTALLATION - CE SPEC

ITEM	PART NUMBER	QTY	DESCRIPTION	REV
	0275217	Ref	PLUGS AND SOCKETS INSTALLATION - IEC 60309 BLUE	1
1	0861781	1	Box, Switch	
2	4461201	1	Receptacle	
3	4461199	1	Plug, Male	
	1001100342	1	Plug and Socket Kit (Includes Items 1-3 and Female Plug p/n 4461200)	

SECTION 8 - ELECTRICAL

FIGURE 8-53. AC PLUGS AND SOCKETS INSTALLATION - CE SPEC



ART_0275218

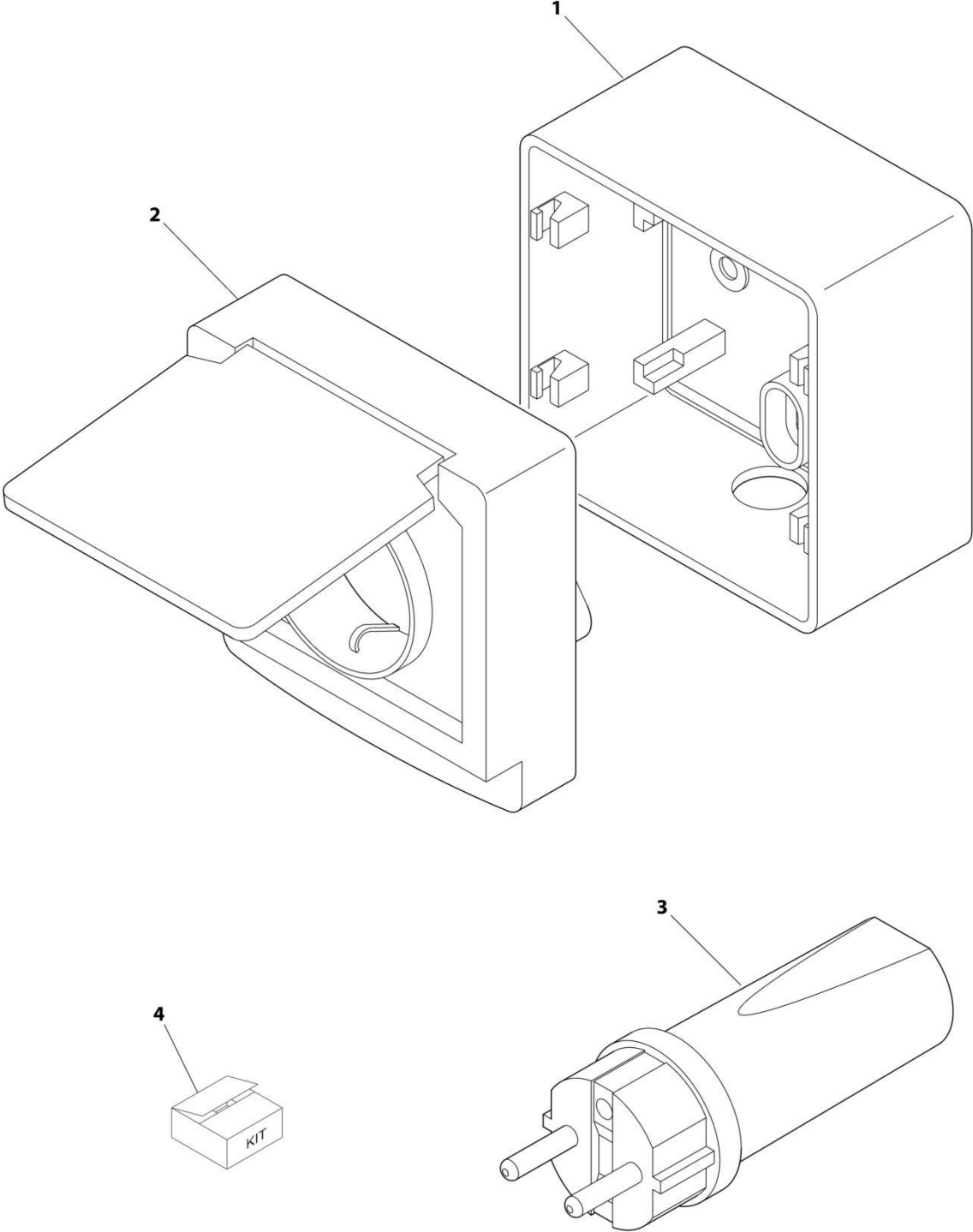
SECTION 8 - ELECTRICAL

FIGURE 8-53. AC PLUGS AND SOCKETS INSTALLATION - CE SPEC

ITEM	PART NUMBER	QTY	DESCRIPTION	REV
	0275218	Ref	AC PLUGS AND SOCKETS INSTALLATION - CEE7 POST GROUND	B
1	1001141967	1	Box, Switch	
2	1001141968	1	Receptacle	
3	4461202	1	Plug, Male	
4	1001141971	1	Plug and Socket Kit (Includes Items 1-3 and Female Plug p/n 4461206)	

SECTION 8 - ELECTRICAL

FIGURE 8-54. AC PLUGS AND SOCKETS INSTALLATION - CE SPEC



ART_0275219

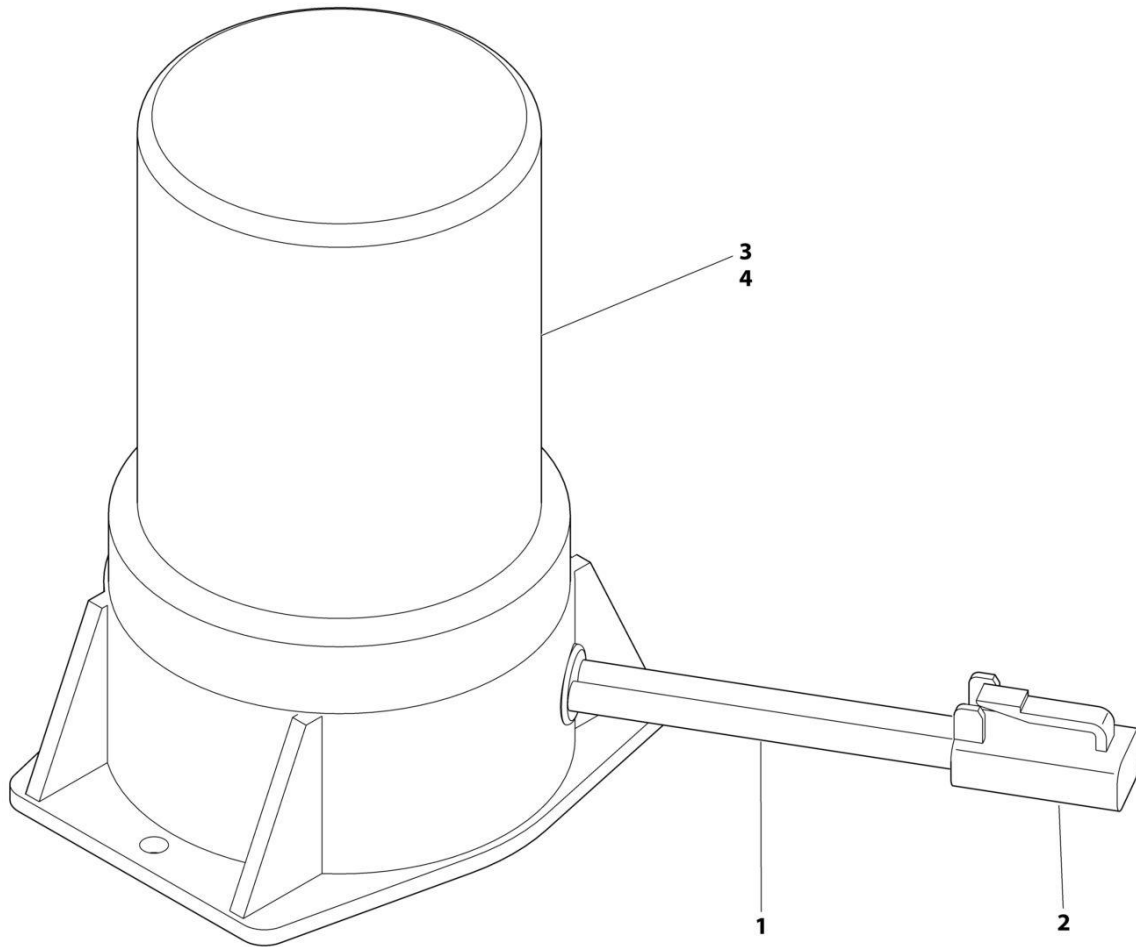
SECTION 8 - ELECTRICAL

FIGURE 8-54. AC PLUGS AND SOCKETS INSTALLATION - CE SPEC

ITEM	PART NUMBER	QTY	DESCRIPTION	REV
	0275219	Ref	AC PLUGS AND SOCKETS INSTALLATION - CEE 7 SIDE GROUND	B
1	1001141967	1	Box, Switch	
2	1001141969	1	Receptacle	
3	4461205	1	Plug, Male	
4	1001141970	1	Plug and Socket Kit (Includes Items 1-3 and Female Plug p/n 4461206)	

SECTION 8 - ELECTRICAL

FIGURE 8-55. STROBE LIGHT - AMBER - HARNESS



ART_2920161

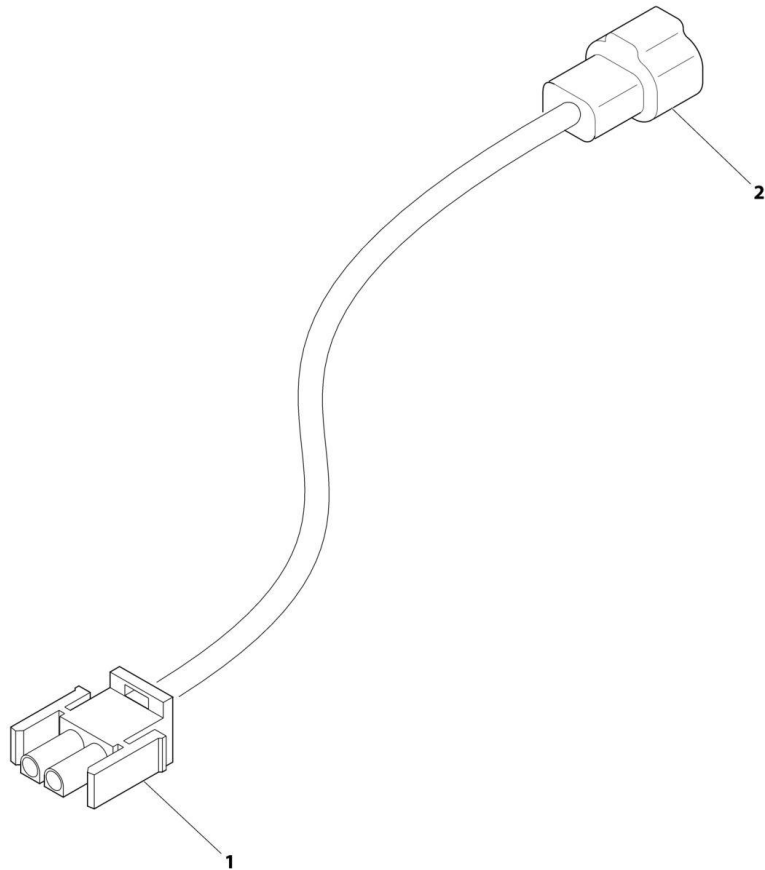
SECTION 8 - ELECTRICAL

FIGURE 8-55. STROBE LIGHT - AMBER - HARNESS

ITEM	PART NUMBER	QTY	DESCRIPTION	REV
	2920161	Ref	STROBE LIGHT - AMBER - HARNESS	C
1	See Note	1	Harness (Note: Not Available - Purchase p/n 2920161)	
2	4460891	1	Connector - 2 Position	
2	4460465	2	Socket, Female	
3	7016319	1	Bulb, Replacement	
4	7016272	1	Lens, Replacement	

SECTION 8 - ELECTRICAL

FIGURE 8-56. STROBE LIGHT HARNESS



ART_1001149818

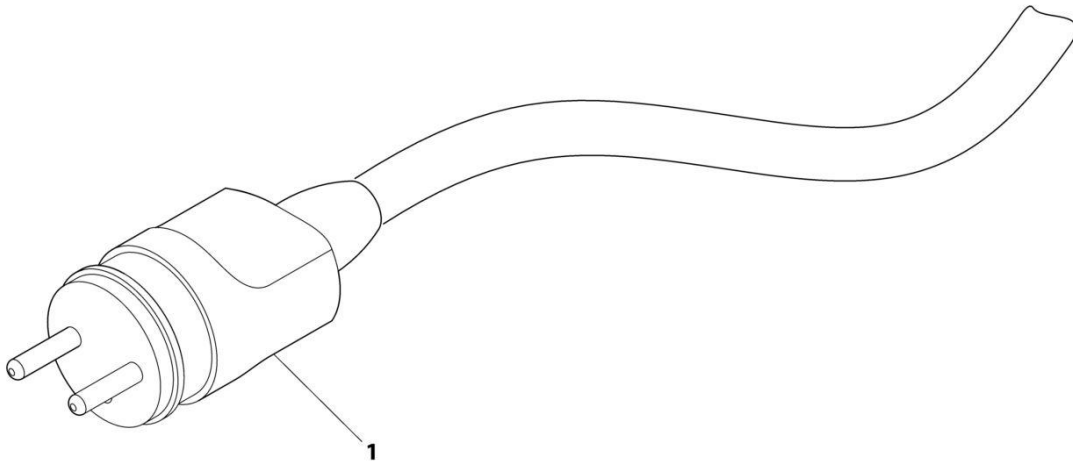
SECTION 8 - ELECTRICAL

FIGURE 8-56. STROBE LIGHT HARNESS

ITEM	PART NUMBER	QTY	DESCRIPTION	REV
	1001149818	Ref	STROBE LIGHT HARNESS	B
1	4460320	1	Connector, 2 Position	
1	4460267	2	Pin, Male	
2	4460897	1	Connector, Female - 2 Position	
2	4460464	2	Pin, Male	

SECTION 8 - ELECTRICAL

FIGURE 8-57. CHARGER CORD PLUG INSTALLATION - CE SPEC



ART_0275663

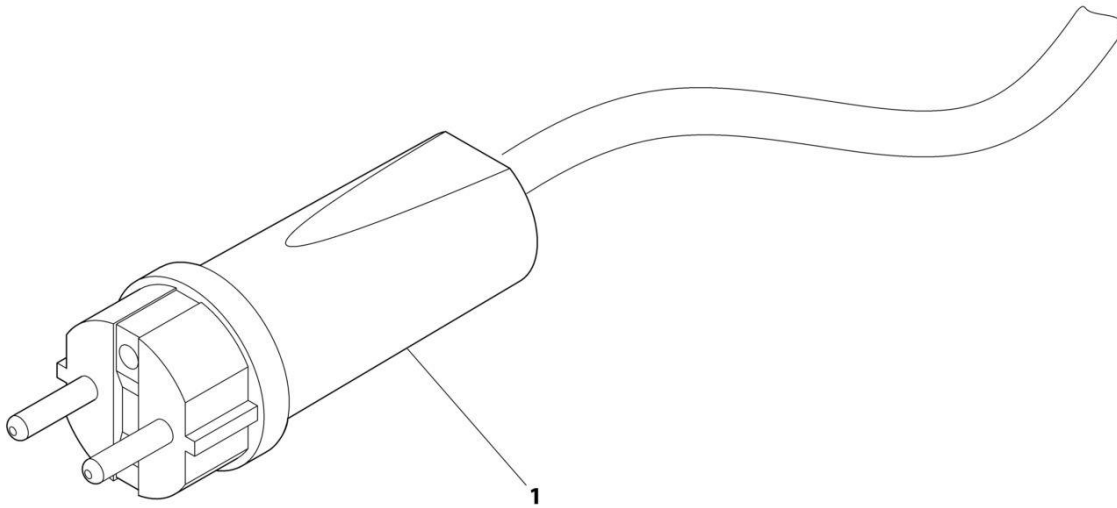
SECTION 8 - ELECTRICAL

FIGURE 8-57. CHARGER CORD PLUG INSTALLATION - CE SPEC

ITEM	PART NUMBER	QTY	DESCRIPTION	REV
	0275663	Ref	CHARGER CORD PLUG INSTALLATION - 220V - CEE7 POST GROUND - CE SPEC	A
1	4461202	1	Plug	

SECTION 8 - ELECTRICAL

FIGURE 8-58. CHARGER CORD PLUG INSTALLATION - CE SPEC



ART_0275664

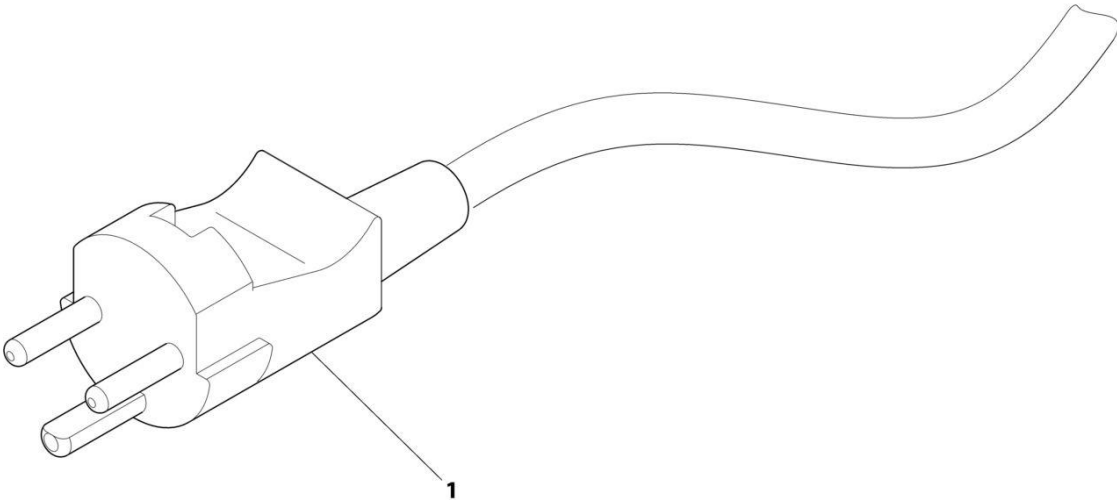
SECTION 8 - ELECTRICAL

FIGURE 8-58. CHARGER CORD PLUG INSTALLATION - CE SPEC

ITEM	PART NUMBER	QTY	DESCRIPTION	REV
	0275664	Ref	CHARGER CORD PLUG INSTALLATION - 220V - CEE7 SIDE GROUND - CE SPEC	A
1	4461205	1	Plug	

SECTION 8 - ELECTRICAL

FIGURE 8-59. CHARGER CORD PLUG INSTALLATION - CE SPEC



ART_0275665

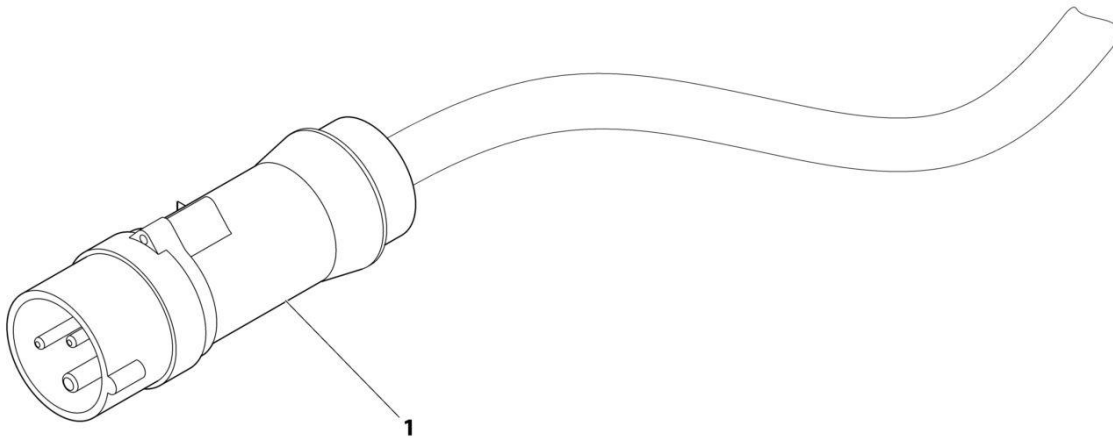
SECTION 8 - ELECTRICAL

FIGURE 8-59. CHARGER CORD PLUG INSTALLATION - CE SPEC

ITEM	PART NUMBER	QTY	DESCRIPTION	REV
	0275665	Ref	CHARGER CORD PLUG INSTALLATION - 220V - AFSINT 107 KEYED GROUND - CE SPEC	A
1	4461249	1	Plug	

SECTION 8 - ELECTRICAL

FIGURE 8-60. CHARGER CORD PLUG INSTALLATION - CE SPEC



ART_0275666

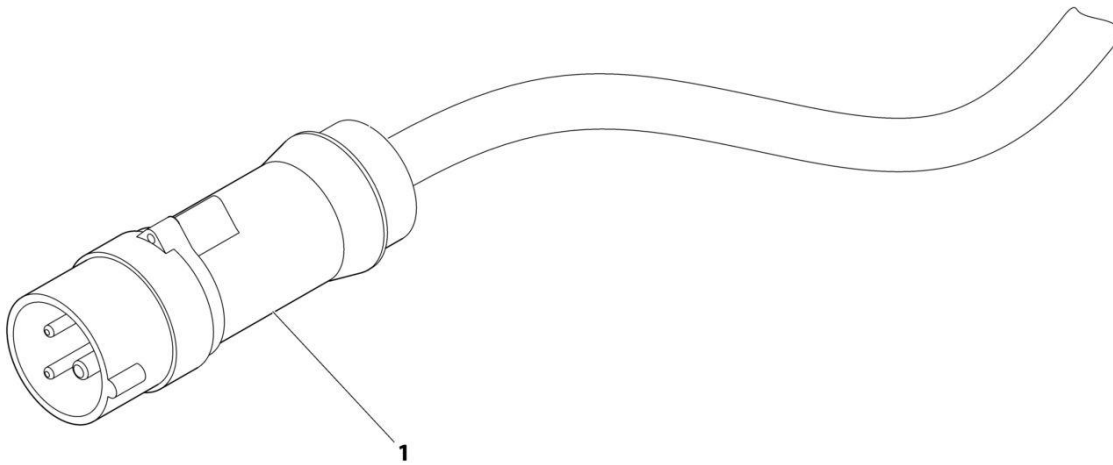
SECTION 8 - ELECTRICAL

FIGURE 8-60. CHARGER CORD PLUG INSTALLATION - CE SPEC

ITEM	PART NUMBER	QTY	DESCRIPTION	REV
	0275666	Ref	CHARGER CORD PLUG INSTALLATION - 110V - IEC 60309 -	A
1	4461196	1	YELLOW - CE SPEC, Plug	

SECTION 8 - ELECTRICAL

FIGURE 8-61. CHARGER CORD PLUG INSTALLATION - CE SPEC



ART_0275667

SECTION 8 - ELECTRICAL

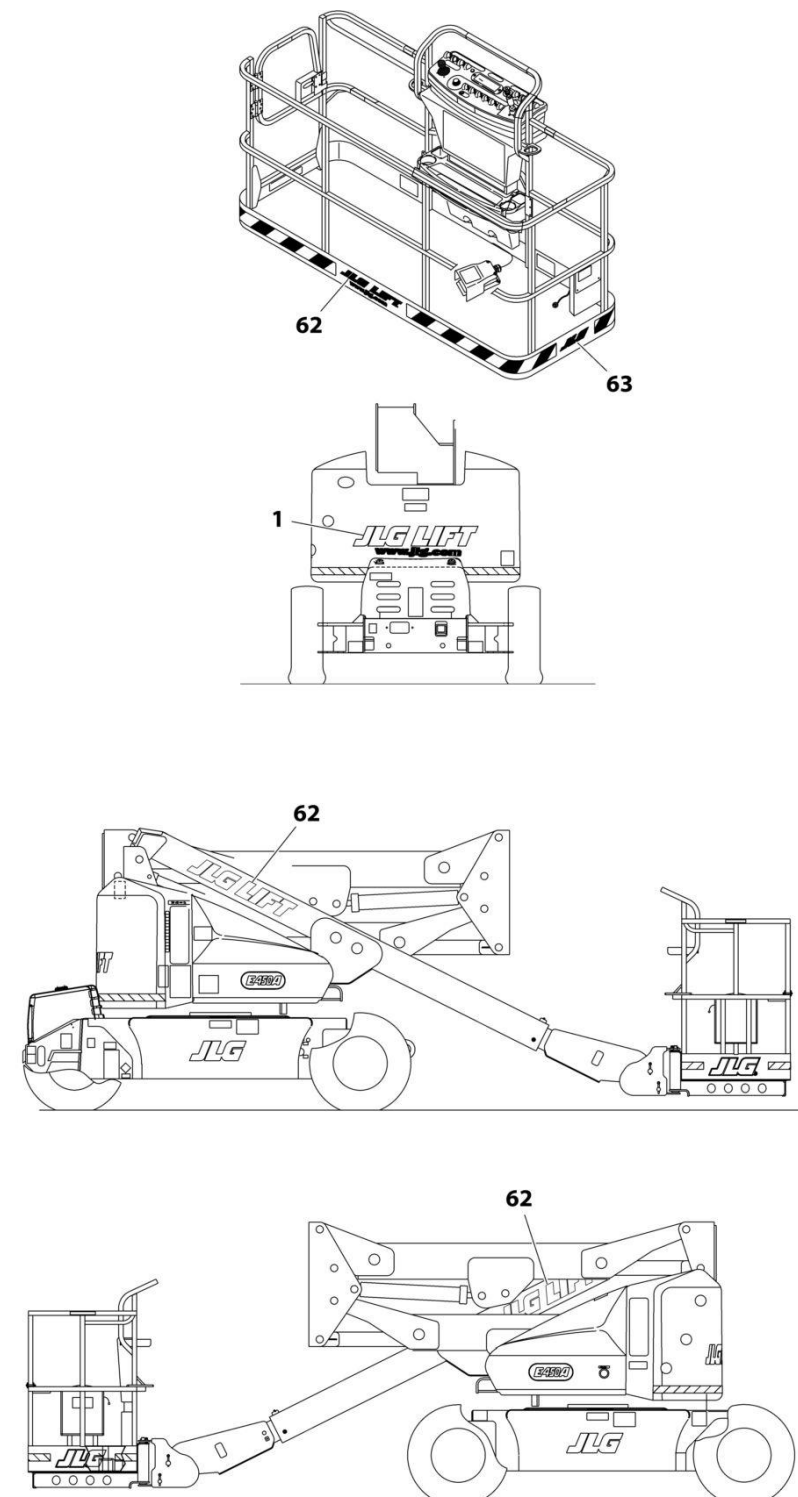
FIGURE 8-61. CHARGER CORD PLUG INSTALLATION - CE SPEC

ITEM	PART NUMBER	QTY	DESCRIPTION	REV
	0275667	Ref	CHARGER CORD PLUG INSTALLATION - 220V - IEC 60309 -	A
1	4461199	1	BLUE - CE SPEC Plug	

SECTION 9 - DECALS

SECTION 9 - DECALS

FIGURE 9-1. 0270273, DECAL INSTALLATION - JLG LOGO



ART_0270273

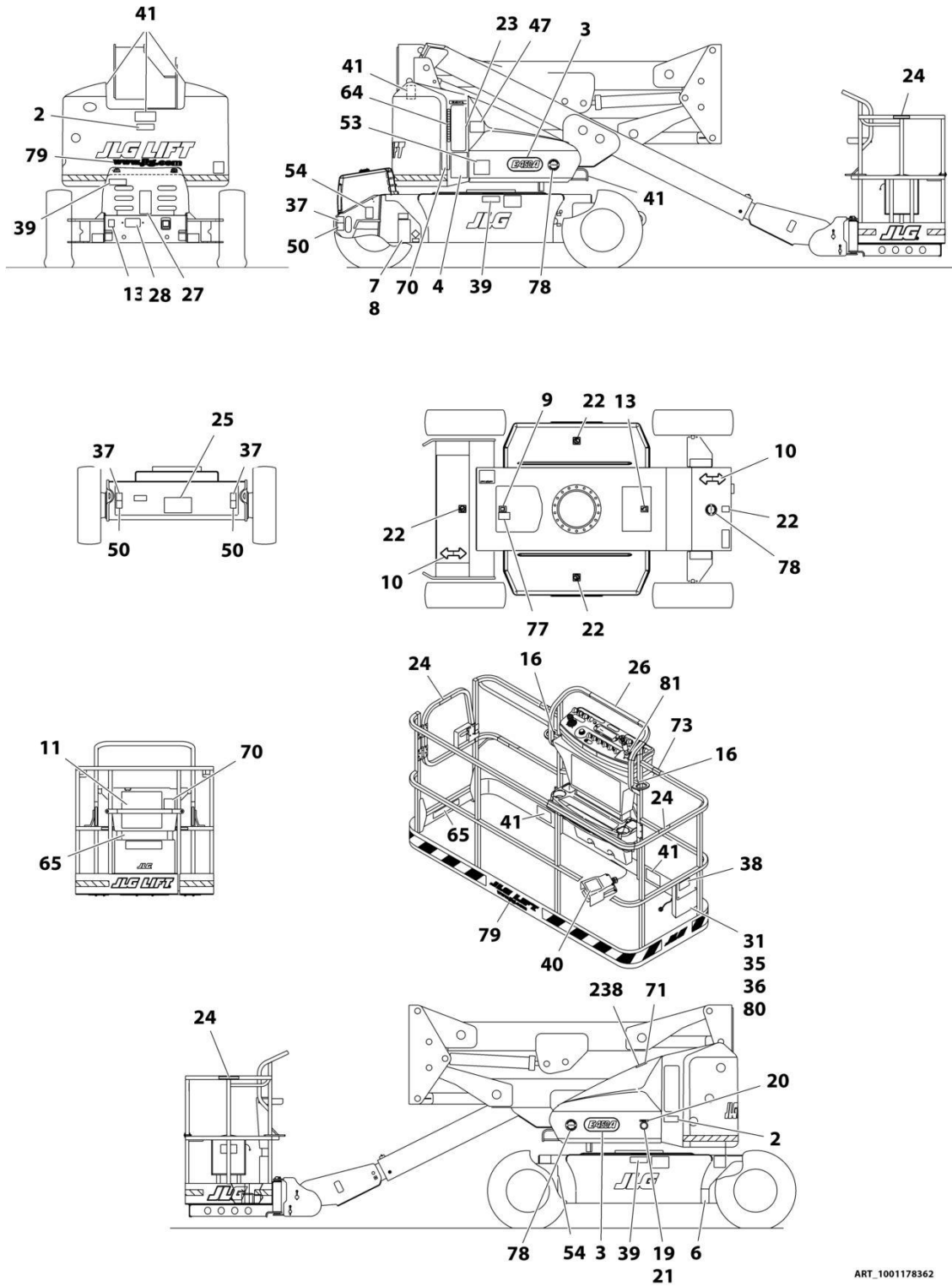
SECTION 9 - DECALS

FIGURE 9-1. 0270273, DECAL INSTALLATION - JLG LOGO

ITEM	PART NUMBER	QTY	DESCRIPTION	REV
	0270273	Ref	DECAL INSTALLATION - JLG LOGO	3
1	1702860	1	Decal - JLG Lift	
62	1702774	3	Decal - JLG Lift	
63	1702773	1	Decal - JLG	

SECTION 9 - DECALS

FIGURE 9-2. DECAL INSTALLATION - ANSI SPEC - M450AJ



ART_1001178362

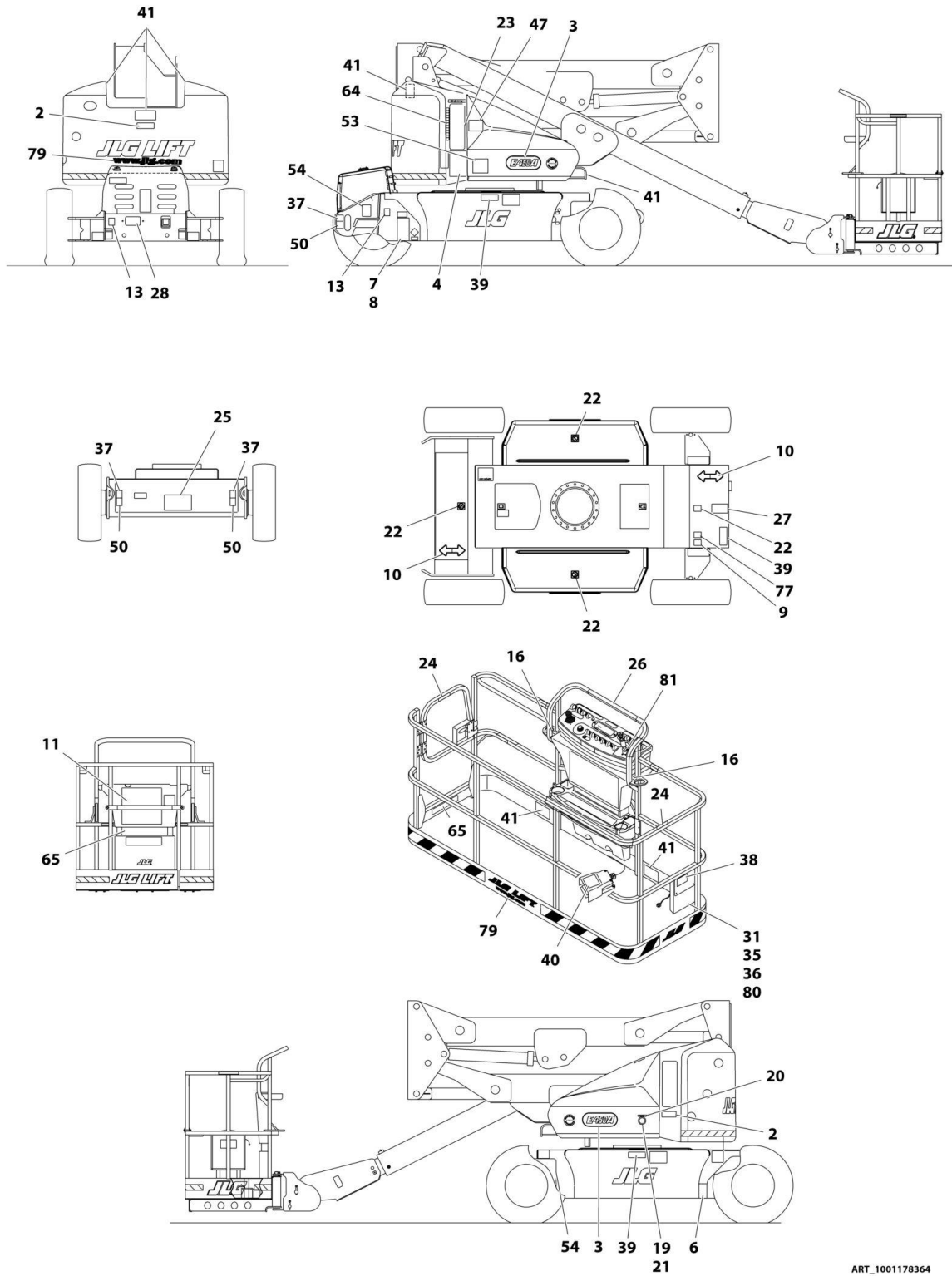
SECTION 9 - DECALS

FIGURE 9-2. DECAL INSTALLATION - ANSI SPEC - M450AJ

ITEM	PART NUMBER	QTY	DESCRIPTION	REV
	1001178362	Ref	DECAL INSTALLATION - ANSI SPEC - M450AJ	A
2	1703805	2	Decal - Electrocutation	
3	1704790	2	Decal - Model Designation	
4	1703798	1	Decal - Crushing	
6	1001131269	1	Decal - Patent	
7	See Note	1	Nameplate - Serial Number (Note: Not Available for Purchase)	
8	3820001	2	Rivet	
9	1701504	1	Decal - Hydraulic Oil	
10	1701642	2	Decal - Arrow	
11	1703797	1	Decal - Caution/Danger	
13	1701644	2	Decal - Charger	
16	1704277	2	Decal - Attach Lanyard	
19	0961127	1	Bushing, Snap	
20	3251243	1	Nameplate 120V-60Hz	
21	0100010	AR	Adhesive	
22	1701691	4	Decal - No Step	
23	1001104864	1	Decal - Manual Descent	
24	1702868	2	Decal - No Hands	
25	1001173577	1	Decal - Cable Routing	
26	1704253	1	Decal - Key Platform	
27	1704446	1	Decal - Charger	
28	1704431	1	Decal - Battery Charger LED Indicator	
31	0860520	1	Box, Manual Storage	
35	4751400	4	Washer, 1/4	
36	3311405	4	Nut, 1/4-20	
37	1701500	4	Decal - Lift	
38	1701509	1	Decal - Manual	
39	1703813	3	Decal - Danger	
40	3252347	1	Nameplate - Footswitch	
41	1703804	6	Decal - Crushing Hazard	
47	1702265	1	Decal	
50	1702300	4	Decal - Tie Down	
53	1001121814	1	Decal - 500 LBS Max Capacity	
54	1704445	4	Decal - Tire Load	
64	1706950	1	Decal - Key Main Terminal Box	
65	1001121801	2	Decal - 500 LBS Max Capacity	
70	1704286	2	Decal - Generator Danger	
71	1701505	1	Decal - Fuel	
73	1702962	1	Decal - Fuel Warning	
77	1704412	1	Decal - Oil Type	
78	1001121510	3	Decal - Hybrid	
79	1704885	2	Decal - Website	
80	0641406	4	Bolt, 1/4-20 x 3/4	
81	1705351	1	Decal - Drive/Steer Instruction	
238	1001108923	1	Decal - Ultra Low Sulfur Fuel	

SECTION 9 - DECALS

FIGURE 9-3. DECAL INSTALLATION - ANSI SPEC - E450A/E450AJ



ART_1001178364

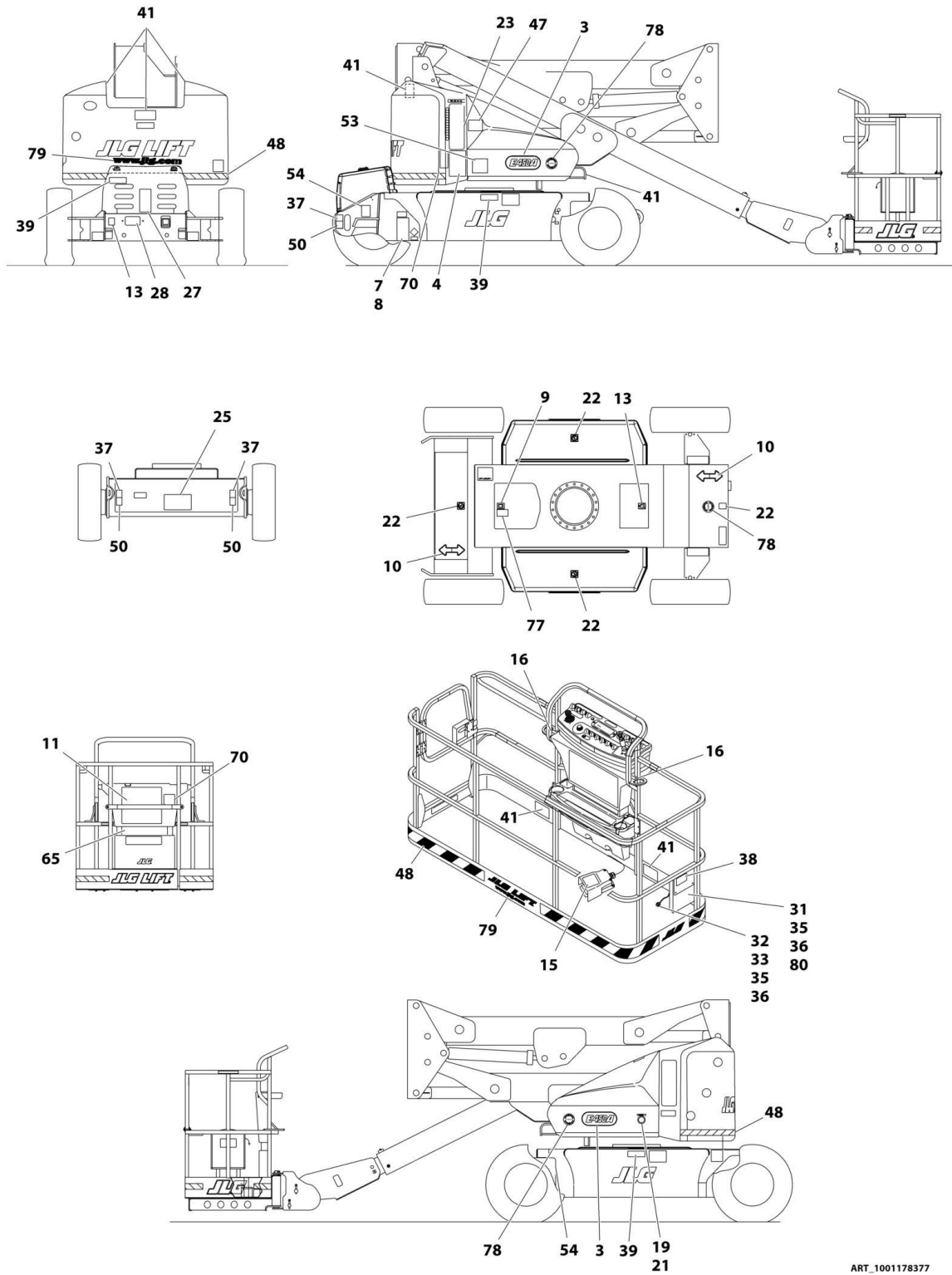
SECTION 9 - DECALS

FIGURE 9-3. DECAL INSTALLATION - ANSI SPEC - E450A/E450AJ

ITEM	PART NUMBER	QTY	DESCRIPTION	REV
	1001178364	Ref	DECAL INSTALLATION - ANSI SPEC - E450A/E450AJ	A
2	1703805	2	Decal - Electrocution	
3	1704787	2	Decal - Model Designation (E450A)	
3	1704789	2	Decal - Model Designation (E450AJ)	
4	1703798	1	Decal - Crushing	
6	1001131269	1	Decal - Patent	
7	See Note	1	Nameplate - Serial Number (Note: Not Available for Purchase)	
8	3820001	2	Rivet	
9	1701504	1	Decal - Hydraulic Oil	
10	1701642	2	Decal - Arrow	
11	1703797	1	Decal - Caution/Danger	
13	1701644	2	Decal - Charger	
16	1704277	2	Decal - Attach Lanyard	
19	0961127	1	Bushing, Snap	
20	3251243	1	Nameplate 120V-60Hz	
21	0100010	AR	Adhesive	
22	1701691	4	Decal - No Step	
23	1001104864	1	Decal - Manual Descent	
24	1702868	2	Decal - No Hands	
25	1001173577	1	Decal - Cable Routing	
26	1704253	1	Decal - Key Platform	
27	1704446	1	Decal - Charger	
28	1704431	1	Decal - Battery Charger LED Indicator	
31	0860520	1	Box, Manual Storage	
35	4751400	4	Washer, 1/4	
36	3311405	4	Nut, 1/4-20	
37	1701500	4	Decal - Lift	
38	1701509	1	Decal - Manual	
39	1703813	3	Decal - Danger	
40	3252347	1	Nameplate - Footswitch	
41	1703804	6	Decal - Crushing Hazard	
47	1702265	1	Decal	
50	1702300	4	Decal - Tie Down	
53	1001121814	1	Decal - 500 LBS Max Capacity	
54	1703488	4	Decal - Tire Load (E450A)	
54	1704445	4	Decal - Tire load (E450AJ)	
64	1706950	1	Decal - Key Main Terminal Box	
65	1001121801	2	Decal - 500 LBS Max Capacity	
77	1704412	1	Decal - Oil Type	
79	1704885	2	Decal - Website	
80	0641406	4	Bolt, 1/4-20 x 3/4	
81	1705351	1	Decal - Drive/Steer Instruction	

SECTION 9 - DECALS

FIGURE 9-4. DECAL INSTALLATION - CE/AUSTRALIAN SPEC - M450AJ



ART_1001178377

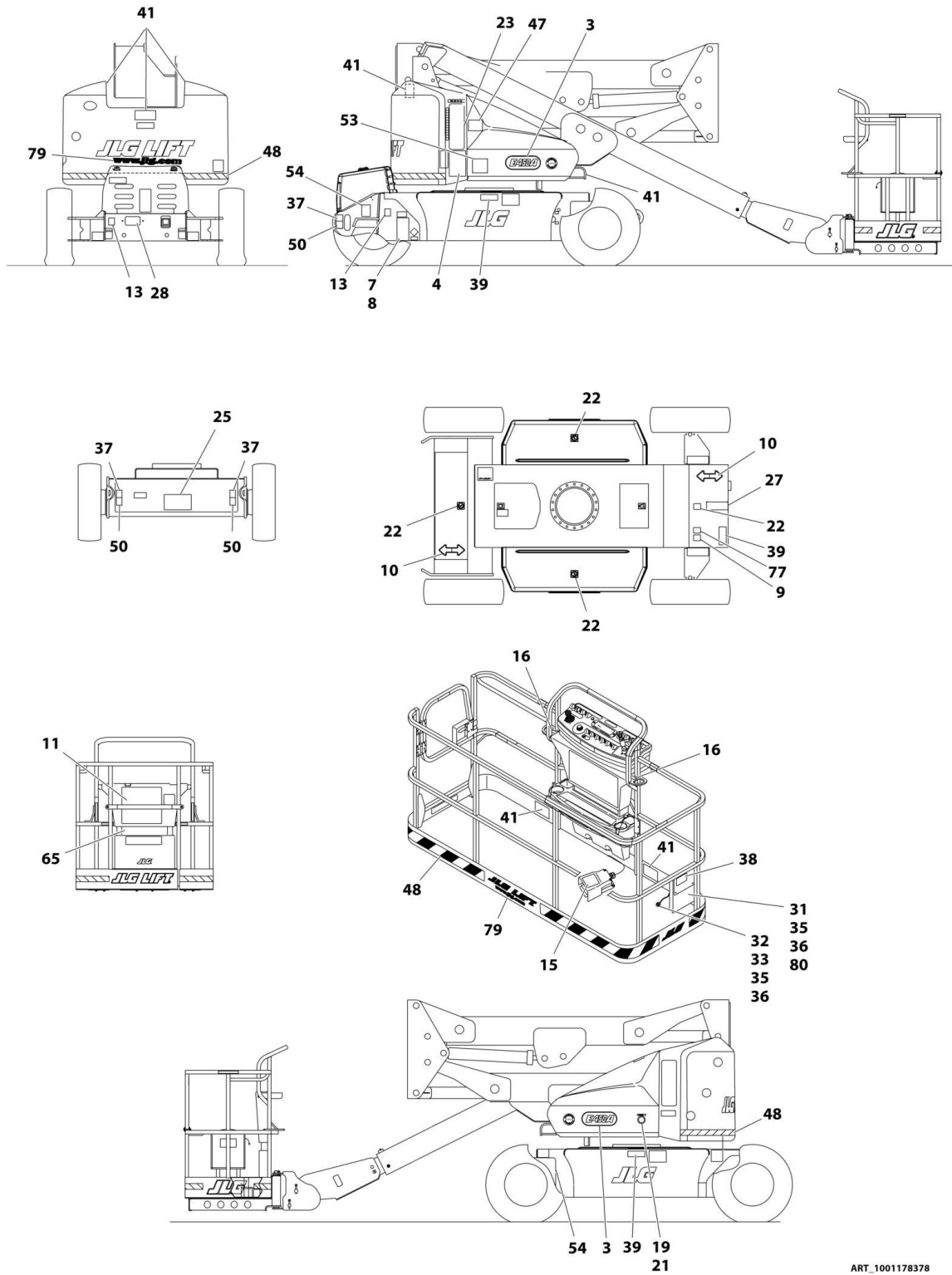
SECTION 9 - DECALS

FIGURE 9-4. DECAL INSTALLATION - CE/AUSTRALIAN SPEC - M450AJ

ITEM	PART NUMBER	QTY	DESCRIPTION	REV
	1001178377	Ref	DECAL INSTALLATION - CE/AUSTRALIAN SPEC - M450AJ	A
3	1704790	2	Decal - Model Designation	
4	1705822	1	Decal - Danger/Caution	
7	See Note	1	Nameplate - Serial Number (Note: Not Available for Purchase)	
8	3820001	2	Rivet	
9	1701504	1	Decal - Hydraulic Oil	
10	1701642	2	Decal - Arrow	
11	1705921	1	Decal - Danger/Caution	
13	1701644	2	Decal - Charger	
15	1705828	1	Decal - Footswitch	
16	1704277	2	Decal - Attach Lanyard	
19	0961127	1	Bushing, Snap	
21	0100010	AR	Adhesive	
22	1701691	4	Decal - No Step	
23	1001104864	1	Decal - Manual Descent	
25	1001173577	1	Decal - Cable Routing	
27	1706378	1	Decal - Charging Instructions	
28	1704431	1	Decal - Battery Charger LED Indicator	
31	0860520	1	Box, Manual Storage	
32	1060279	1	Lanyard	
33	0641408	1	Bolt 1/4-20 x 1	
35	4751400	6	Washer, 1/4	
36	3311405	5	Nut, 1/4-20	
37	1703811	4	Decal - Lift	
38	1701509	1	Decal - Manual	
39	1705670	2	Decal - Warning Explosion	
41	1701518	6	Decal - Crushing Hazard	
47	1705977	1	Decal - Upright Level Over-Ride	
48	4420051	17.4 ft/5.3m	Tape, Warning Stripes	
50	1703814	4	Decal - Tie Down	
53	1705978	1	Decal - Capacity	
54	1704445	4	Decal - Tire Load	
65	1705978	1	Decal - Capacity	
70	1001093687	2	Decal - Generator Danger	
77	1704412	1	Decal - Oil Type	
78	1001121510	3	Decal - Hybrid	
79	1704885	2	Decal - Website	
80	0641406	4	Bolt 1/4-20 x 3/4	

SECTION 9 - DECALS

FIGURE 9-5. DECAL INSTALLATION - CE/AUSTRALIAN SPEC - E450A/E450AJ



ART_1001178378

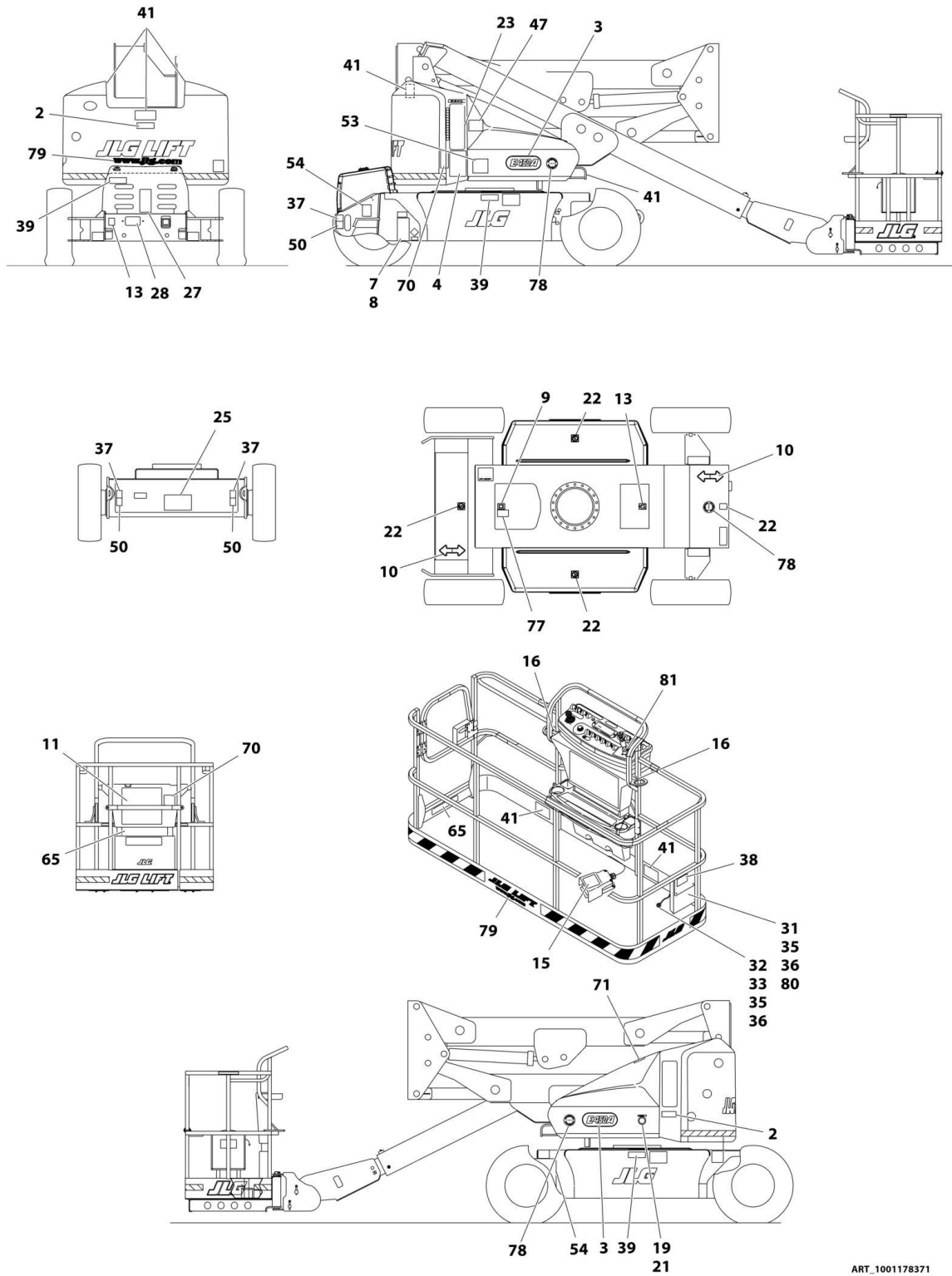
SECTION 9 - DECALS

FIGURE 9-5. DECAL INSTALLATION - CE/AUSTRALIAN SPEC - E450A/E450AJ

ITEM	PART NUMBER	QTY	DESCRIPTION	REV
	1001178378	Ref	DECAL INSTALLATION - CE/AUSTRALIAN SPEC - E450A/E450AJ	A
3	1704787	2	Decal - Model Designation (E450A)	
3	1704789	2	Decal - Model Designation (E450AJ)	
4	1705822	1	Decal - Danger/Caution	
7	See Note	1	Nameplate - Serial Number (Note: Not Available for Purchase)	
8	3820001	2	Rivet	
9	1701504	1	Decal - Hydraulic Oil	
10	1701642	2	Decal - Arrow	
11	1705921	1	Decal - Danger/Caution	
13	1701644	2	Decal - Charger	
15	1705828	1	Decal - Footswitch	
16	1704277	2	Decal - Attach Lanyard	
19	0961127	1	Bushing, Snap	
21	0100010	AR	Adhesive	
22	1701691	4	Decal - No Step	
23	1001104864	1	Decal - Manual Descent	
25	1001173577	1	Decal - Cable Routing	
27	1706378	1	Decal - Charging Instructions	
28	1704431	1	Decal - Battery Charger LED Indicator	
31	0860520	1	Box, Manual Storage	
32	1060279	1	Lanyard	
33	0641408	1	Bolt, 1/4-20 x 1	
35	4751400	6	Washer, 1/4	
36	3311405	5	Nut, 1/4-20	
37	1703811	4	Decal - Lift	
38	1701509	1	Decal - Manual	
39	1705670	2	Decal - Explosion Warning	
41	1701518	6	Decal - Crushing Hazard	
47	1705977	1	Decal - Upright Level Over-Ride	
48	4420051	17.4 ft/5.3m	Tape, Warning Stripes	
50	1703814	4	Decal - Tie Down	
53	1705978	1	Decal - Capacity	
54	1703488	4	Decal - Tire Load (E450A)	
54	1704445	4	Decal - Tire Load (E450AJ)	
65	1705978	1	Decal - Capacity	
77	1704412	1	Decal - Oil Type	
79	1704885	2	Decal - Website	
80	0641406	4	Bolt, 1/4-20 x 3/4	

SECTION 9 - DECALS

FIGURE 9-6. DECAL INSTALLATION - JAPANESE SPEC - M450AJ



ART_1001178371

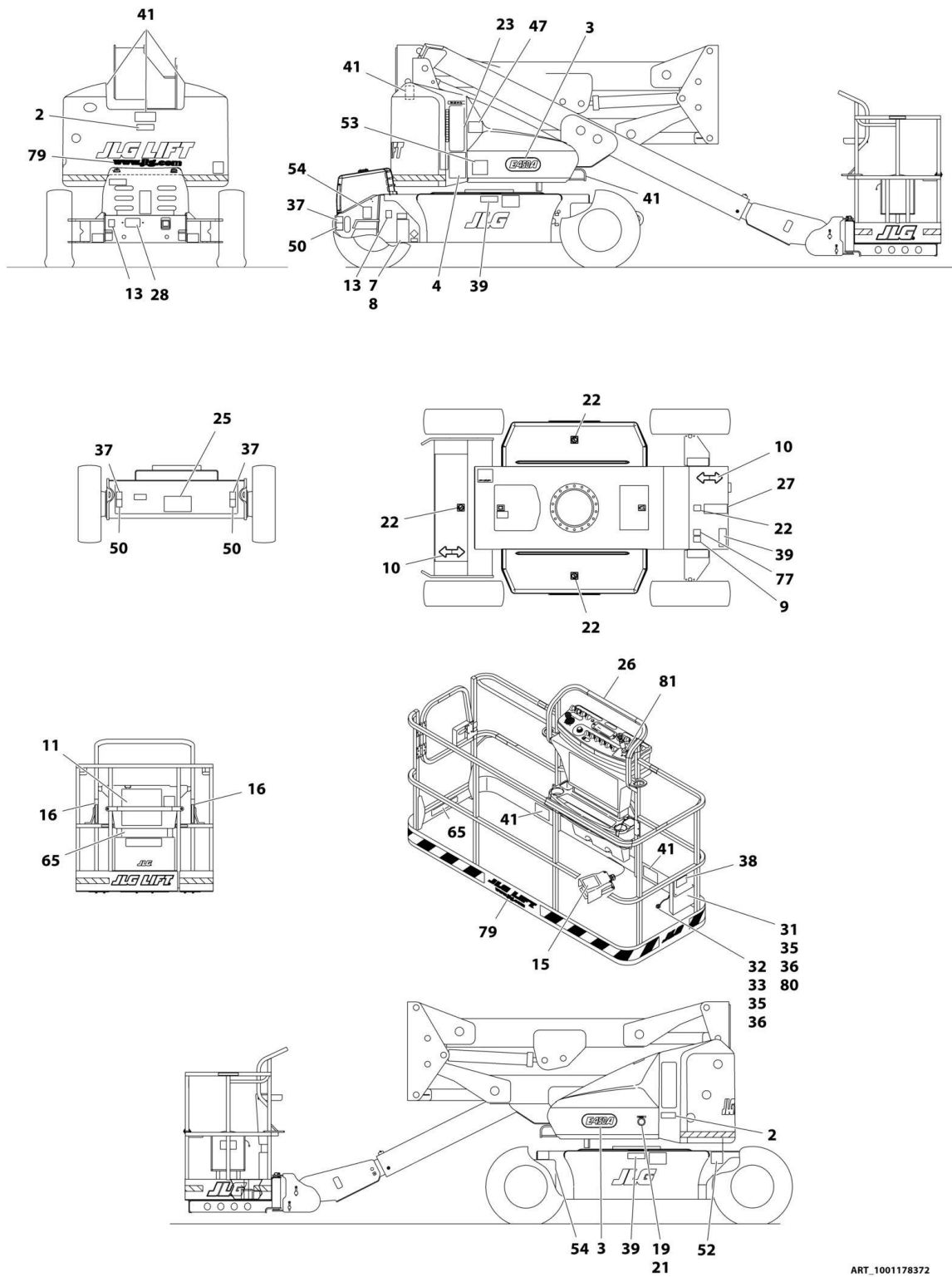
SECTION 9 - DECALS

FIGURE 9-6. DECAL INSTALLATION - JAPANESE SPEC - M450AJ

ITEM	PART NUMBER	QTY	DESCRIPTION	REV
	1001178371	Ref	DECAL INSTALLATION - JAPANESE SPEC - M450AJ	A
2	1703938	2	Decal - Electrocution	
3	1704790	2	Decal - Model Designation	
4	1703932	1	Decal - Danger/Caution	
7	See Note	1	Nameplate - Serial Number (Note: Not Available for Purchase)	
8	3820001	2	Rivet	
9	1701504	1	Decal - Hydraulic Oil	
10	1701642	2	Decal - Arrow	
11	1703926	1	Decal - Caution/Danger	
13	1701644	2	Decal - Charger	
15	1703980	1	Decal - Footswitch	
16	1704277	2	Decal - Attach Lanyard	
19	0961127	1	Bushing, Snap	
21	0100010	AR	Adhesive	
22	1701691	4	Decal - No Step	
23	1001104864	1	Decal - Manual Descent	
25	1001173577	1	Decal - Cable Routing	
27	1704417	1	Decal - Charger	
28	1704431	1	Decal - Battery Charger LED Indicator	
31	0860520	1	Box, Manual Storage	
32	1060279	1	Lanyard	
33	0641408	1	Bolt 1/4-20 x 1	
35	4751400	6	Washer, 1/4	
36	3311405	5	Nut, Lock, 1/4-20	
37	1701500	4	Decal - Lift	
38	1701509	1	Decal - Manual	
39	1704342	3	Decal - Explosion Warning	
41	1703950	6	Decal - Crushing Hazard	
47	1702271	1	Decal	
50	1702300	4	Decal - Tie Down	
53	1001121821	1	Decal - 500 LBS. Max Capacity	
54	1704445	4	Decal - Tire Load	
65	1001121808	2	Decal - 500 LBS. Max Capacity	
70	1001093687	2	Decal - Generator Danger	
71	1701505	1	Decal - Fuel	
77	1704412	1	Decal - Oil Type	
78	1001121510	3	Decal - Hybrid	
79	1704885	2	Decal - Website	
80	0641406	4	Bolt 1/4-20 x 3/4	
81	1705426	1	Decal - Drive/Steer Instruction	

SECTION 9 - DECALS

FIGURE 9-7. DECAL INSTALLATION - JAPANESE SPEC - E450A/E450AJ



ART_1001178372

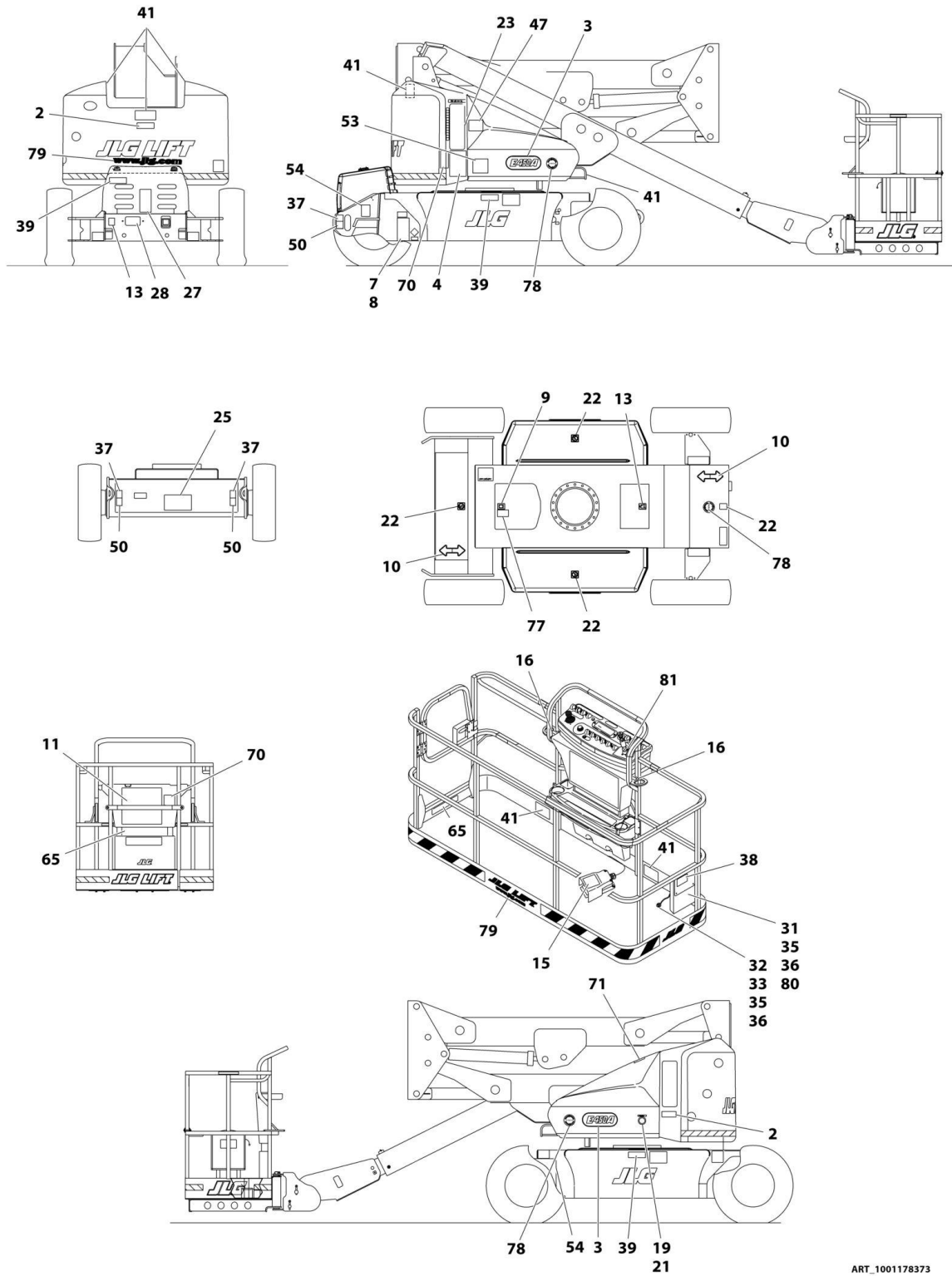
SECTION 9 - DECALS

FIGURE 9-7. DECAL INSTALLATION - JAPANESE SPEC - E450A/E450AJ

ITEM	PART NUMBER	QTY	DESCRIPTION	REV
	1001178372	Ref	DECAL INSTALLATION - JAPANESE SPEC - E450A/E450AJ	A
2	1703938	2	Decal - Electrocution	
3	1704787	2	Decal - Model Designation (E450A)	
3	1704789	2	Decal - Model Designation (E450AJ)	
4	1703932	1	Decal - Danger/Caution	
7	See Note	1	Nameplate - Serial Number (Note: Not Available for Purchase)	
8	3820001	2	Rivet	
9	1701504	1	Decal - Hydraulic Oil	
10	1701642	2	Decal - Arrow	
11	1703926	1	Decal - Caution/Danger	
13	1701644	2	Decal - Charger	
15	1703980	1	Decal - Footswitch	
16	1704277	2	Decal - Attach Lanyard	
19	0961127	1	Bushing, Snap	
21	0100010	AR	Adhesive	
22	1701691	4	Decal - No Step	
23	1001104864	1	Decal - Manual Descent	
25	1001173577	1	Decal - Cable Routing	
26	1704253	1	Decal - Key Platform	
27	1704417	1	Decal - Charger	
28	1704431	1	Decal - Battery Charger LED Indicator	
31	0860520	1	Box, Manual Storage	
32	1060279	1	Lanyard	
33	0641408	1	Bolt 1/4-20 x 1	
35	4751400	6	Washer, 1/4	
36	3311405	5	Nut, Lock, 1/4-20	
37	1701500	4	Decal - Lift	
38	1701509	1	Decal - Manual	
39	1704342	3	Decal - Explosion Warning	
41	1703950	6	Decal - Crushing Hazard	
47	1702271	1	Decal	
50	1702300	4	Decal - Tie Down	
52	See Note	1	Decal - Bar Code (Note: Not Available for Purchase)	
53	1001121821	1	Decal - 500 LBS. Max Capacity	
54	1703488	4	Decal - Tire Load (E450A)	
54	1704445	4	Decal - Tire Load (E450AJ)	
65	1001121808	2	Decal - 500 LBS. Max Capacity	
77	1704412	1	Decal - Oil Type	
79	1704885	2	Decal - Website	
80	0641406	4	Bolt 1/4-20 x 3/4	
81	1705426	1	Decal - Drive/Steer Instruction	

SECTION 9 - DECALS

FIGURE 9-8. DECAL INSTALLATION - KOREAN SPEC - M450AJ



ART_1001178373

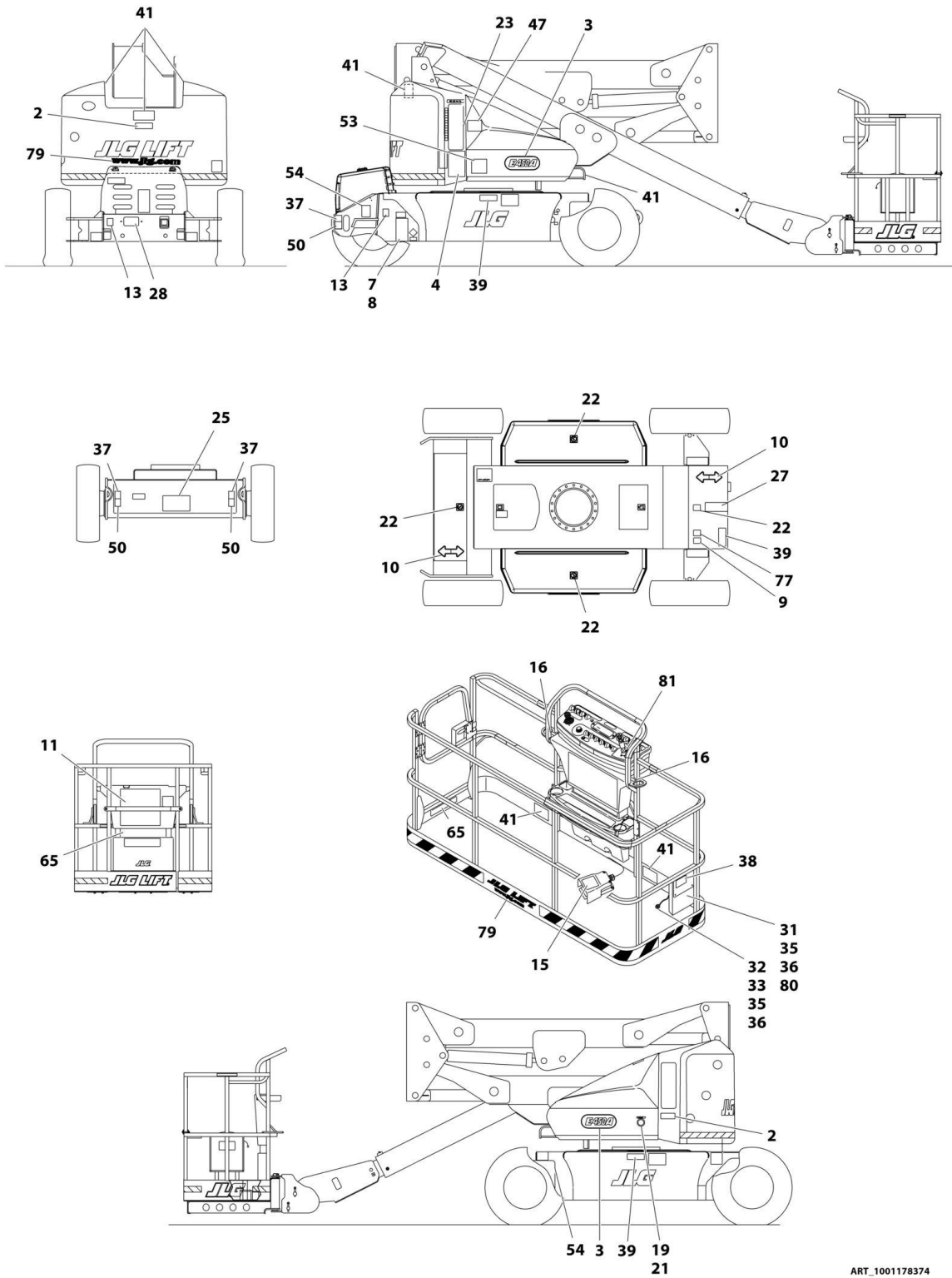
SECTION 9 - DECALS

FIGURE 9-8. DECAL INSTALLATION - KOREAN SPEC - M450AJ

ITEM	PART NUMBER	QTY	DESCRIPTION	REV
	1001178373	Ref	DECAL INSTALLATION - KOREAN SPEC - M450AJ	A
2	1703939	2	Decal - Electrocution	
3	1704790	2	Decal - Model Designation	
4	1703933	1	Decal - Danger/Caution	
7	See Note	1	Nameplate - Serial Number (Note: Not Available for Purchase)	
8	3820001	2	Rivet	
9	1701504	1	Decal - Hydraulic Oil	
10	1701642	2	Decal - Arrow	
11	1703927	1	Decal - Caution/Danger	
13	1701644	2	Decal - Charger	
15	1703981	1	Decal - Footswitch	
16	1704277	2	Decal - Attach Lanyard	
19	0961127	1	Bushing, Snap	
21	0100010	AR	Adhesive	
22	1701691	4	Decal - No Step	
23	1001104864	1	Decal - Manual Descent	
25	1001173577	1	Decal - Cable Routing	
27	1704418	1	Decal - Charger	
28	1704431	1	Decal - Battery Charger LED Indicator	
31	0860520	1	Box, Manual Storage	
32	1060279	1	Lanyard	
33	0641408	1	Bolt 1/4-20 x 1	
35	4751400	6	Washer, 1/4	
36	3311405	5	Nut, Lock, 1/4-20	
37	1701500	4	Decal - Lift	
38	1701509	1	Decal - Manual	
39	1704343	3	Decal - Explosion Warning	
41	1703951	6	Decal - Crushing Hazard	
47	1703987	1	Decal - Upright Level Override	
50	1702300	4	Decal - Tie Down	
53	1001121921	1	Decal - 500 LBS. Max Capacity	
54	1704445	4	Decal - Tire Load	
65	1001121918	2	Decal - 500 LBS. Max Capacity	
70	1001093687	2	Decal - Generator Danger	
71	1701505	1	Decal - Fuel	
77	1704412	1	Decal - Oil Type	
78	1001121510	3	Decal - Hybrid	
79	1704885	2	Decal - Website	
80	0641406	4	Bolt 1/4-20 x 3/4	
81	1705427	1	Decal - Drive/Steer Instruction	

SECTION 9 - DECALS

FIGURE 9-9. DECAL INSTALLATION - KOREAN SPEC - E450A/E450AJ



ART_1001178374

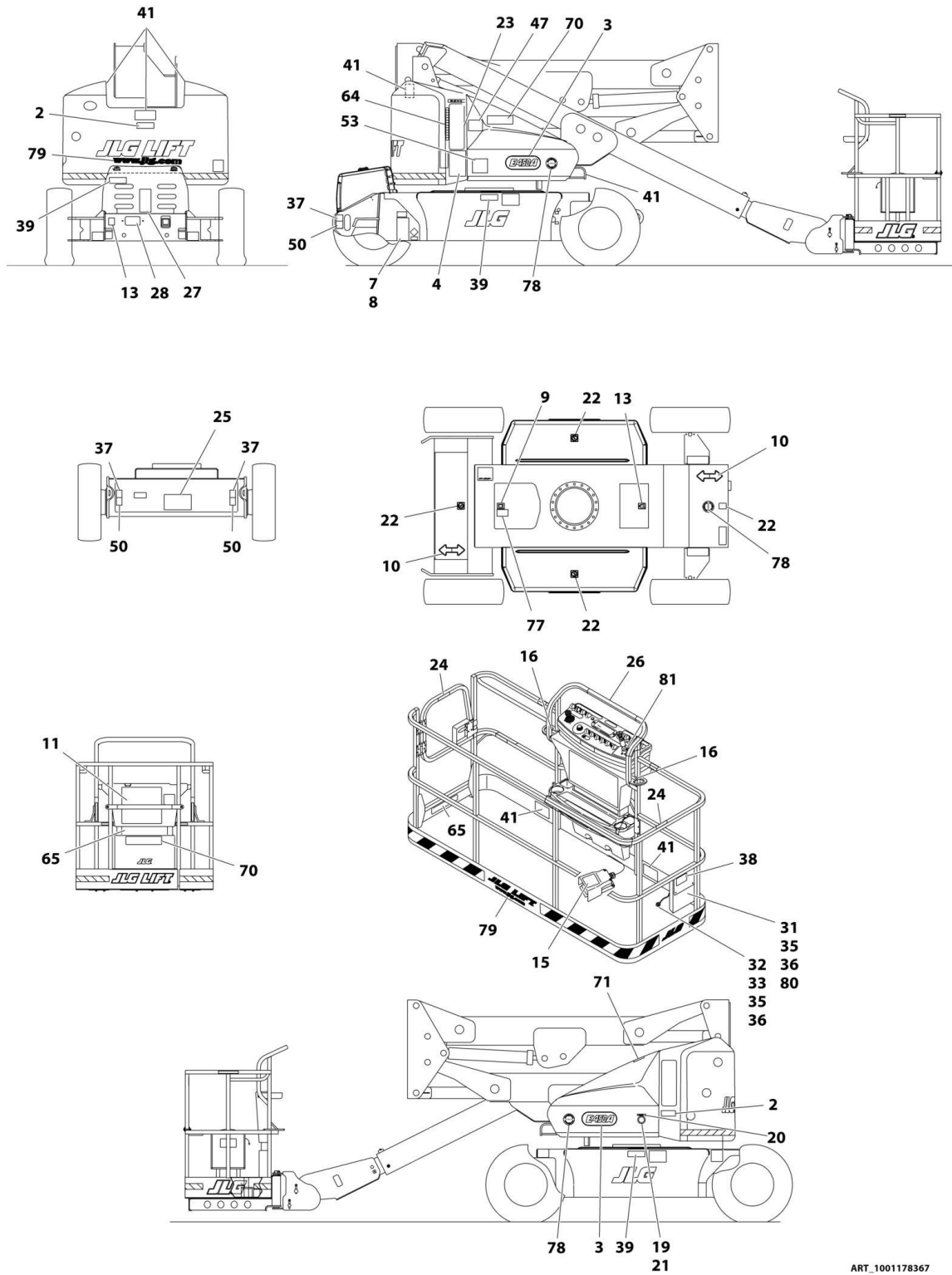
SECTION 9 - DECALS

FIGURE 9-9. DECAL INSTALLATION - KOREAN SPEC - E450A/E450AJ

ITEM	PART NUMBER	QTY	DESCRIPTION	REV
	1001178374	Ref	DECAL INSTALLATION - KOREAN SPEC - E450A/E450AJ	A
2	1703939	2	Decal - Electrocution	
3	1704787	2	Decal - Model Designation (E450A)	
3	1704789	2	Decal - Model Designation (E450AJ)	
4	1703933	1	Decal - Danger/Caution	
7	See Note	1	Nameplate - Serial Number (Note: Not Available for Purchase)	
8	3820001	2	Rivet	
9	1701504	1	Decal - Hydraulic Oil	
10	1701642	2	Decal - Arrow	
11	1703927	1	Decal - Caution/Danger	
13	1701644	2	Decal - Charger	
15	1703981	1	Decal - Footswitch	
16	1704277	2	Decal - Attach Lanyard	
19	0961127	1	Bushing, Snap	
21	0100010	AR	Adhesive	
22	1701691	4	Decal - No Step	
23	1001104864	1	Decal - Manual Descent	
25	1001173577	1	Decal - Cable Routing	
27	1704418	1	Decal - Charger	
28	1704431	1	Decal - Battery Charger LED Indicator	
31	0860520	1	Box, Manual Storage	
32	1060279	1	Lanyard	
33	0641408	1	Bolt 1/4-20 x 1	
35	4751400	6	Washer, 1/4	
36	3311405	5	Nut, Lock, 1/4-20	
37	1701500	4	Decal - Lift	
38	1701509	1	Decal - Manual	
39	1704343	3	Decal - Explosion Warning	
41	1703951	6	Decal - Crushing Hazard	
47	1703987	1	Decal - Upright Level Override	
50	1702300	4	Decal - Tie Down	
53	1001121921	1	Decal - 500 LBS. Max Capacity	
54	1703488	4	Decal - Tire Load (E450A)	
54	1704445	4	Decal - Tire Load (E450AJ)	
65	1001121918	2	Decal - 500 LBS. Max Capacity	
77	1704412	1	Decal - Oil Type	
79	1704885	2	Decal - Website	
80	0641406	4	Bolt 1/4-20 x 3/4	
81	1705427	1	Decal - Drive/Steer Instruction	

SECTION 9 - DECALS

FIGURE 9-10. DECAL INSTALLATION - SPANISH/ENGLISH SPECS - M450AJ



ART_1001178367

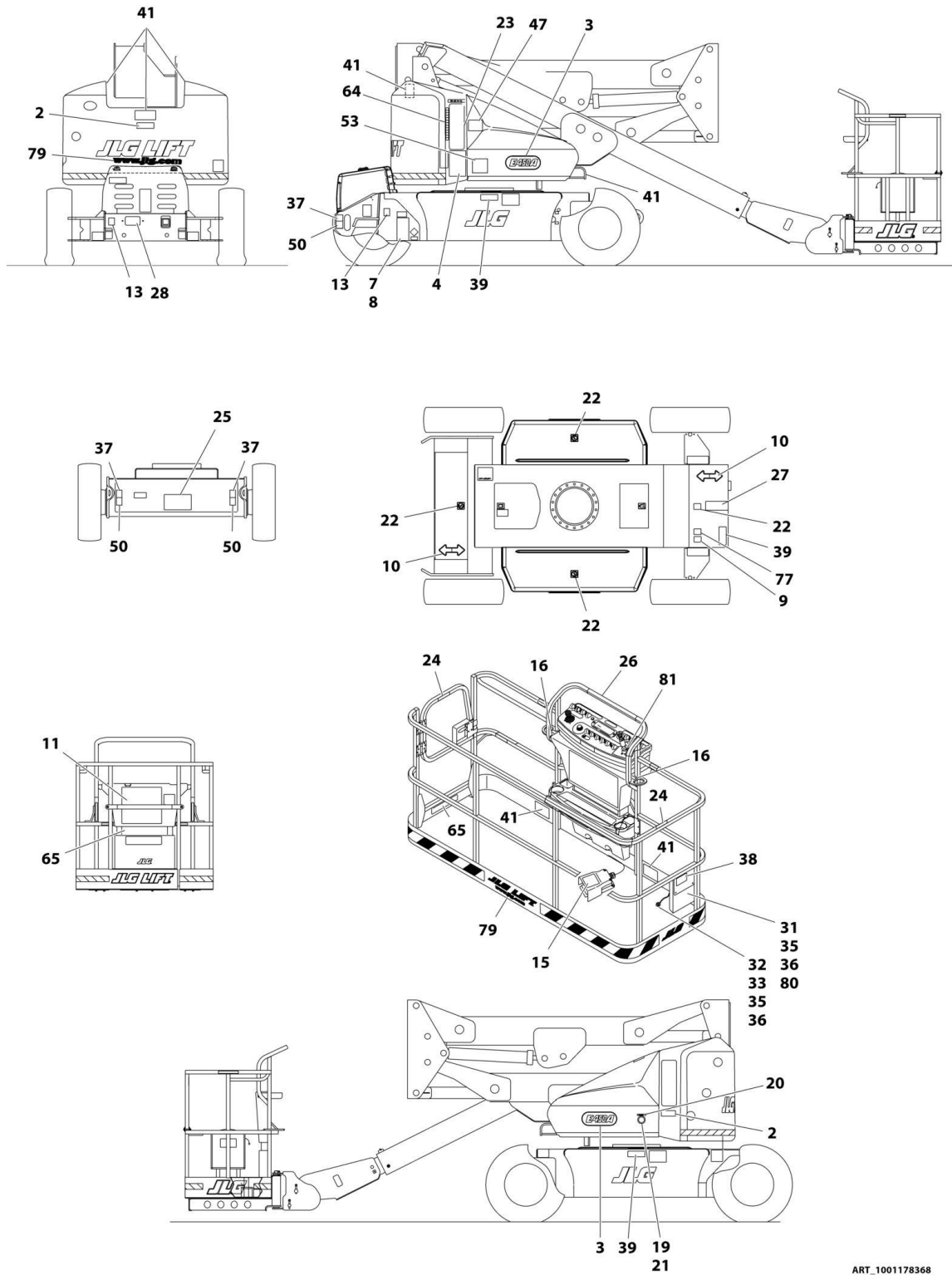
SECTION 9 - DECALS

FIGURE 9-10. DECAL INSTALLATION - SPANISH/ENGLISH SPECS - M450AJ

ITEM	PART NUMBER	QTY	DESCRIPTION	REV
	1001178367	Ref	DECAL INSTALLATION - SPANISH/ENGLISH SPECS - M450AJ	A
2	1703935	2	Decal - Electrocution	
3	1704790	2	Decal - Model Designation	
4	1703929	1	Decal - Danger/Caution	
7	See Note	1	Nameplate - Serial Number (Note: Not Available for Purchase)	
8	3820001	2	Rivet	
9	1701504	1	Decal - Hydraulic Oil	
10	1701642	2	Decal - Arrow	
11	1703923	1	Decal - Caution/Danger	
13	1701644	2	Decal - Charger	
15	1703983	1	Decal - Footswitch	
16	1704277	2	Decal - Attach Lanyard	
19	0961127	1	Bushing, Snap	
20	3251243	1	Nameplate - 120V/60HZ	
21	0100010	AR	Adhesive	
22	1701691	4	Decal - No Step	
23	1001104864	1	Decal - Manual Descent	
24	1704001	2	Decal - No Hands	
25	1001173577	1	Decal - Cable Routing	
26	1704253	1	Decal - Key Platform	
27	1704454	1	Decal - Charger	
28	1704431	1	Decal - Battery Charger LED Indicator	
31	0860520	1	Box, Manual Storage	
32	1060279	1	Lanyard	
33	0641408	1	Bolt 1/4-20 x 1	
35	4751400	6	Washer, 1/4	
36	3311405	5	Nut, Lock, 1/4-20	
37	1701500	4	Decal - Lift	
38	1701509	1	Decal - Manual	
39	1704339	3	Decal - Explosion Warning	
41	1703947	6	Decal - Crushing Hazard	
47	1702265	1	Decal - Boom Sequence	
50	1702300	4	Decal - Tie Down	
53	1001121818	1	Decal - 500 LBS. Max Capacity	
64	1706950	1	Decal - Key, Main Terminal Box	
65	1001121805	2	Decal - 500 LBS. Max Capacity	
70	1704371	2	Decal - Generator Danger	
71	1701505	1	Decal - Fuel	
77	1704412	1	Decal - Oil Type	
78	1001121510	3	Decal - Hybrid	
79	1704885	2	Decal - Website	
80	0641406	4	Bolt 1/4-20 x 3/4	
81	1705910	1	Decal - Drive/Steer Instruction	

SECTION 9 - DECALS

FIGURE 9-11. DECAL INSTALLATION - SPANISH/ENGLISH SPECS - E450A/E450AJ



ART_1001178368

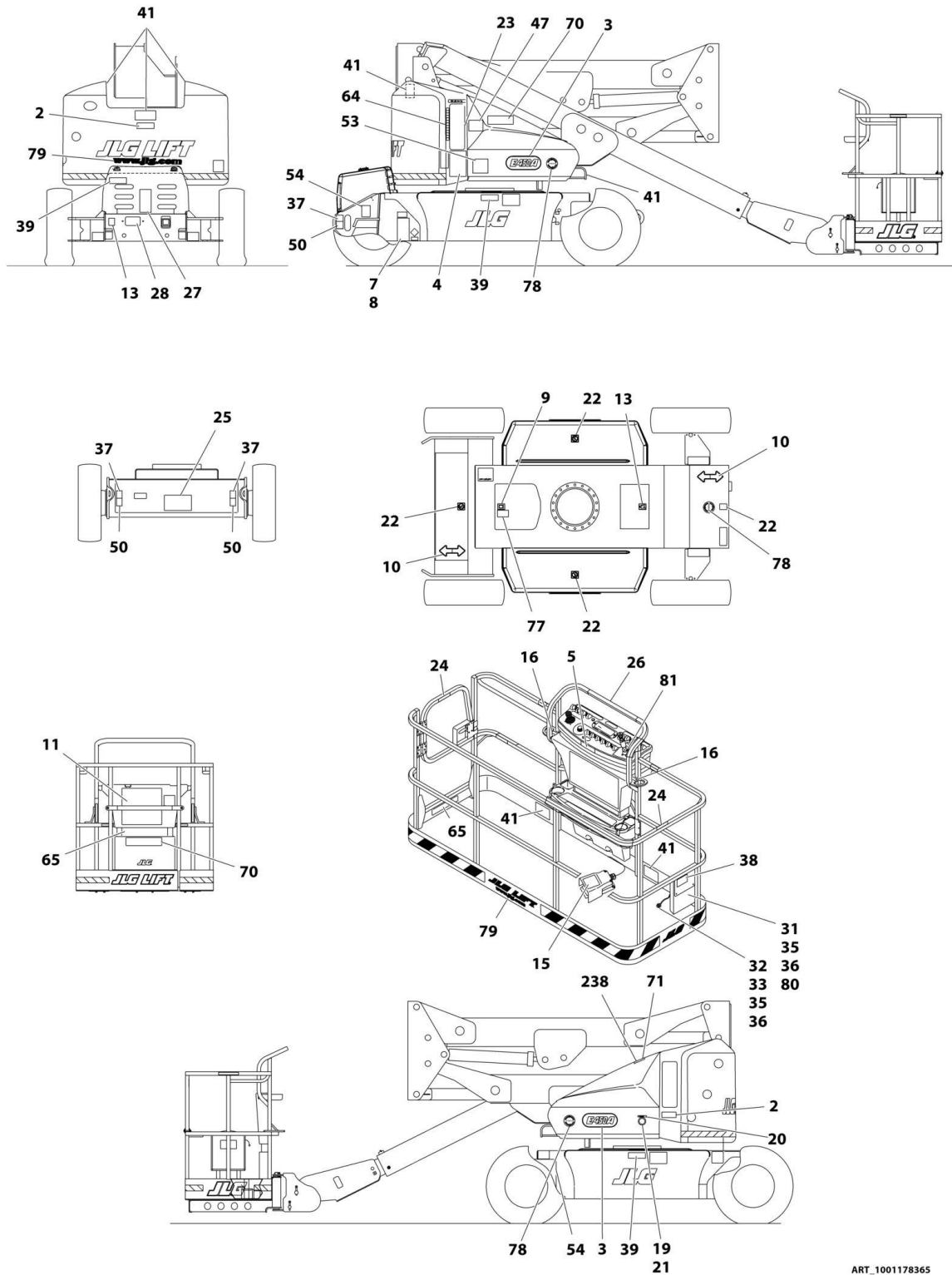
SECTION 9 - DECALS

FIGURE 9-11. DECAL INSTALLATION - SPANISH/ENGLISH SPECS - E450A/E450AJ

ITEM	PART NUMBER	QTY	DESCRIPTION	REV
	1001178368	Ref	DECAL INSTALLATION - SPANISH/ENGLISH SPECS - E450A/E450AJ	A
2	1703935	2	Decal - Electrocution	
3	1704787	2	Decal - Model Designation (E450A)	
3	1704789	2	Decal - Model Designation (E450AJ)	
4	1703929	1	Decal - Danger/Caution	
7	See Note	1	Nameplate - Serial Number (Note: Not Available for Purchase)	
8	3820001	2	Rivet	
9	1701504	1	Decal - Hydraulic Oil	
10	1701642	2	Decal - Arrow	
11	1703923	1	Decal - Caution/Danger	
13	1701644	2	Decal - Charger	
15	1703983	1	Decal - Footswitch	
16	1704277	2	Decal - Attach Lanyard	
19	0961127	1	Bushing, Snap	
20	3251243	1	Nameplate - 120V/60HZ	
21	0100010	AR	Adhesive	
22	1701691	4	Decal - No Step	
23	1001104864	1	Decal - Manual Descent	
24	1704001	2	Decal - No Hands	
25	1001173577	1	Decal - Cable Routing	
26	1704253	1	Decal - Key Platform	
27	1704454	1	Decal - Charger	
28	1704431	1	Decal - Battery Charger LED Indicator	
31	0860520	1	Box, Manual Storage	
32	1060279	1	Lanyard	
33	0641408	1	Bolt 1/4-20 x 1	
35	4751400	6	Washer, 1/4	
36	3311405	5	Nut, Lock, 1/4-20	
37	1701500	4	Decal - Lift	
38	1701509	1	Decal - Manual	
39	1704339	3	Decal - Explosion Warning	
41	1703947	6	Decal - Crushing Hazard	
47	1702265	1	Decal - Boom Sequence	
50	1702300	4	Decal - Tie Down	
53	1001121818	1	Decal - 500 LBS. Max Capacity	
64	1706950	1	Decal - Key, Main Terminal Box	
65	1001121805	2	Decal - 500 LBS. Max Capacity	
77	1704412	1	Decal - Oil Type	
79	1704885	2	Decal - Website	
80	0641406	4	Bolt 1/4-20 x 3/4	
81	1705910	1	Decal - Drive/Steer Instruction	

SECTION 9 - DECALS

FIGURE 9-12. DECAL INSTALLATION - FRENCH/ENGLISH SPECS - M450AJ



ART_1001178365

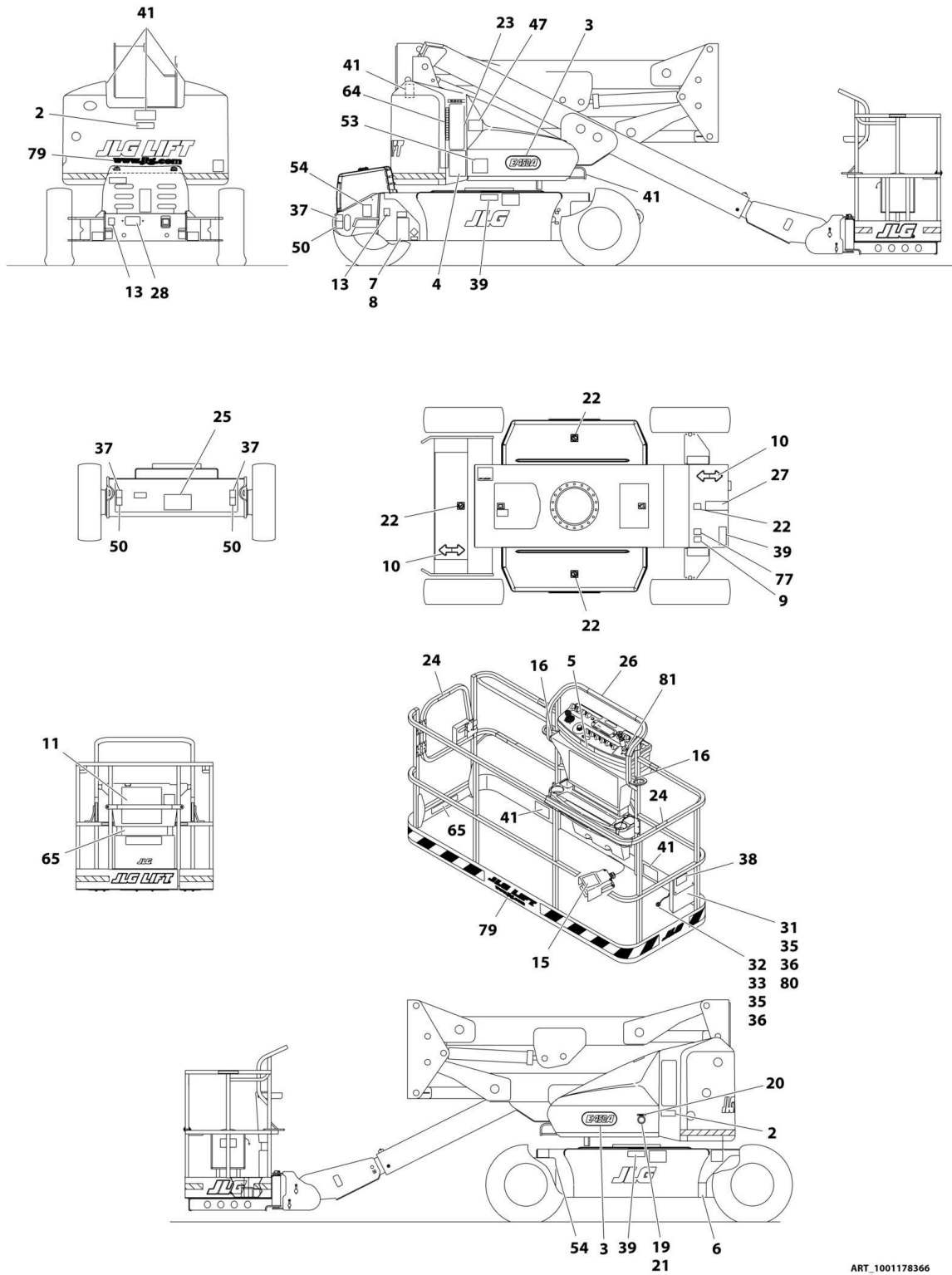
SECTION 9 - DECALS

FIGURE 9-12. DECAL INSTALLATION - FRENCH/ENGLISH SPECS - M450AJ

ITEM	PART NUMBER	QTY	DESCRIPTION	REV
	1001178365	Ref	DECAL INSTALLATION - FRENCH/ENGLISH SPECS - M450AJ	A
2	1703936	2	Decal - Electrocutation	
3	1704790	2	Decal - Model Designation	
4	1703930	1	Decal - Danger/Caution	
5	1705514	1	Decal - CSA	
7	See Note	1	Nameplate - Serial Number (Note: Not Available for Purchase)	
8	3820001	2	Rivet	
9	1701504	1	Decal - Hydraulic Oil	
10	1701642	2	Decal - Arrow	
11	1703924	1	Decal - Caution/Danger	
13	1701644	2	Decal - Charger	
15	1703984	1	Decal - Footswitch	
16	1704277	2	Decal - Attach Lanyard	
19	0961127	1	Bushing, Snap	
20	3251243	1	Nameplate - 120V/60HZ	
21	0100010	AR	Adhesive	
22	1701691	4	Decal - No Step	
23	1001104864	1	Decal - Manual Descent	
24	1704000	2	Decal - No Hands	
25	1001173577	1	Decal - Cable Routing	
26	1704253	1	Decal - Key Platform	
27	1704452	1	Decal - Charger	
28	1704431	1	Decal - Battery Charger LED Indicator	
31	0860520	1	Box, Manual Storage	
32	1060279	1	Lanyard	
33	0641408	1	Bolt 1/4-20 x 1	
35	4751400	6	Washer, 1/4	
36	3311405	5	Nut, Lock, 1/4-20	
37	1701500	4	Decal - Lift	
38	1701509	1	Decal - Manual	
39	1704340	3	Decal - Explosion Warning	
41	1703948	6	Decal - Crushing Hazard	
47	1702265	1	Decal - Boom Sequence	
50	1702300	4	Decal - Tie Down	
53	1001121816	1	Decal - 500 LBS. Max Capacity	
54	1704445	4	Decal - Tire Load	
64	1706950	1	Decal - Key, Main Terminal Box	
65	1001121803	2	Decal - 500 LBS. Max Capacity	
70	1001093687	2	Decal - Generator Danger	
71	1701505	1	Decal - Fuel	
77	1704412	1	Decal - Oil Type	
78	1001121510	3	Decal - Hybrid	
79	1704885	2	Decal - Website	
80	0641406	4	Bolt 1/4-20 x 3/4	
81	1705429	1	Decal - Drive/Steer Instruction	
238	1001108923	1	Decal - Ultra Low Sulfur Fuel	

SECTION 9 - DECALS

FIGURE 9-13. DECAL INSTALLATION - FRENCH/ENGLISH SPECS - E450A/E450AJ



ART_1001178366

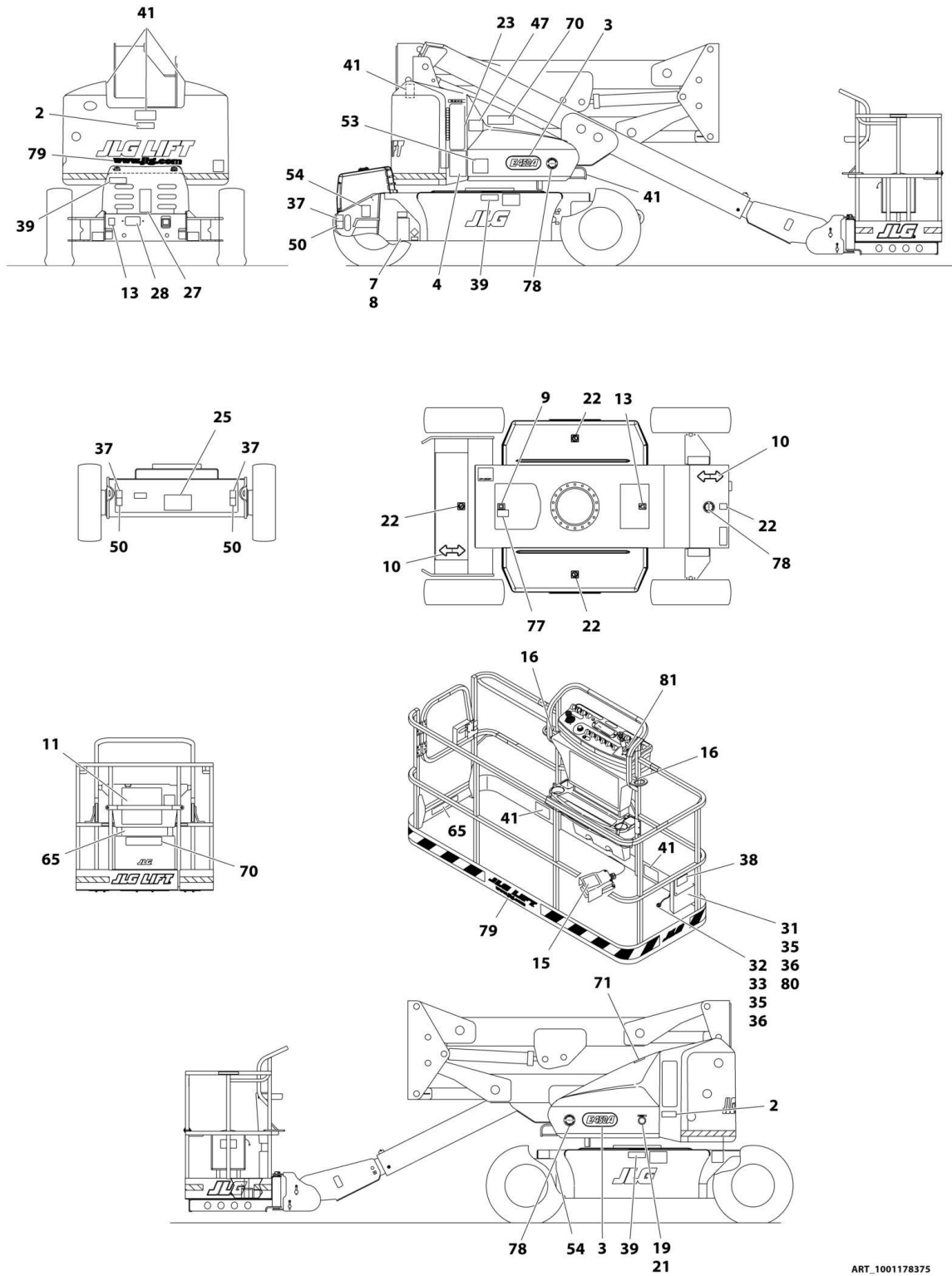
SECTION 9 - DECALS

FIGURE 9-13. DECAL INSTALLATION - FRENCH/ENGLISH SPECS - E450A/E450AJ

ITEM	PART NUMBER	QTY	DESCRIPTION	REV
	1001178366	Ref	DECAL INSTALLATION - FRENCH/ENGLISH SPECS - E450A/E450AJ,	A
2	1703936	2	Decal - Electrocutation	
3	1704787	2	Decal -Model Designation (E450A)	
3	1704789	2	Decal - Model Designation (E450AJ)	
4	1703930	1	Decal - Danger/Caution	
5	1705514	1	Decal - CSA	
6	1700584	1	Decal - Patent	
7	See Note	1	Nameplate - Serial Number (Note: Not Available for Purchase)	
8	3820001	2	Rivet	
9	1701504	1	Decal - Hydraulic Oil	
10	1701642	2	Decal - Arrow	
11	1703924	1	Decal - Caution/Danger	
13	1701644	2	Decal - Charger	
15	1703984	1	Decal - Footswitch	
16	1704277	2	Decal - Attach Lanyard	
19	0961127	1	Bushing, Snap	
20	3251243	1	Nameplate - 120V/60HZ	
21	0100010	AR	Adhesive	
22	1701691	4	Decal - No Step	
23	1001104864	1	Decal - Manual Descent	
24	1704000	2	Decal - No Hands	
25	1001173577	1	Decal - Cable Routing	
26	1704253	1	Decal - Key Platform	
27	1704452	1	Decal - Charger	
28	1704431	1	Decal - Battery Charger LED Indicator	
31	0860520	1	Box, Manual Storage	
32	1060279	1	Lanyard	
33	0641408	1	Bolt 1/4-20 x 1	
35	4751400	6	Washer, 1/4	
36	3311405	5	Nut, Lock, 1/4-20	
37	1701500	4	Decal - Lift	
38	1701509	1	Decal - Manual	
39	1704340	3	Decal - Explosion Warning	
41	1703948	6	Decal - Crushing Hazard	
47	1702265	1	Decal - Boom Sequence	
54	1703488	1	Decal - Tire Load (E450A)	
54	1704445	4	Decal - Tire Load (E450AJ)	
50	1702300	4	Decal - Tie Down	
53	1001121816	1	Decal - 500 LBS. Max Capacity	
64	1706950	1	Decal - Key, Main Terminal Box	
65	1001121803	2	Decal - 500 LBS. Max Capacity	
77	1704412	1	Decal - Oil Type	
79	1704885	2	Decal - Website	
80	0641406	4	Bolt 1/4-20 x 3/4	
81	1705429	1	Decal - Drive/Steer Instruction	

SECTION 9 - DECALS

FIGURE 9-14. DECAL INSTALLATION - CHINESE/ENGLISH - M450AJ



ART_1001178375

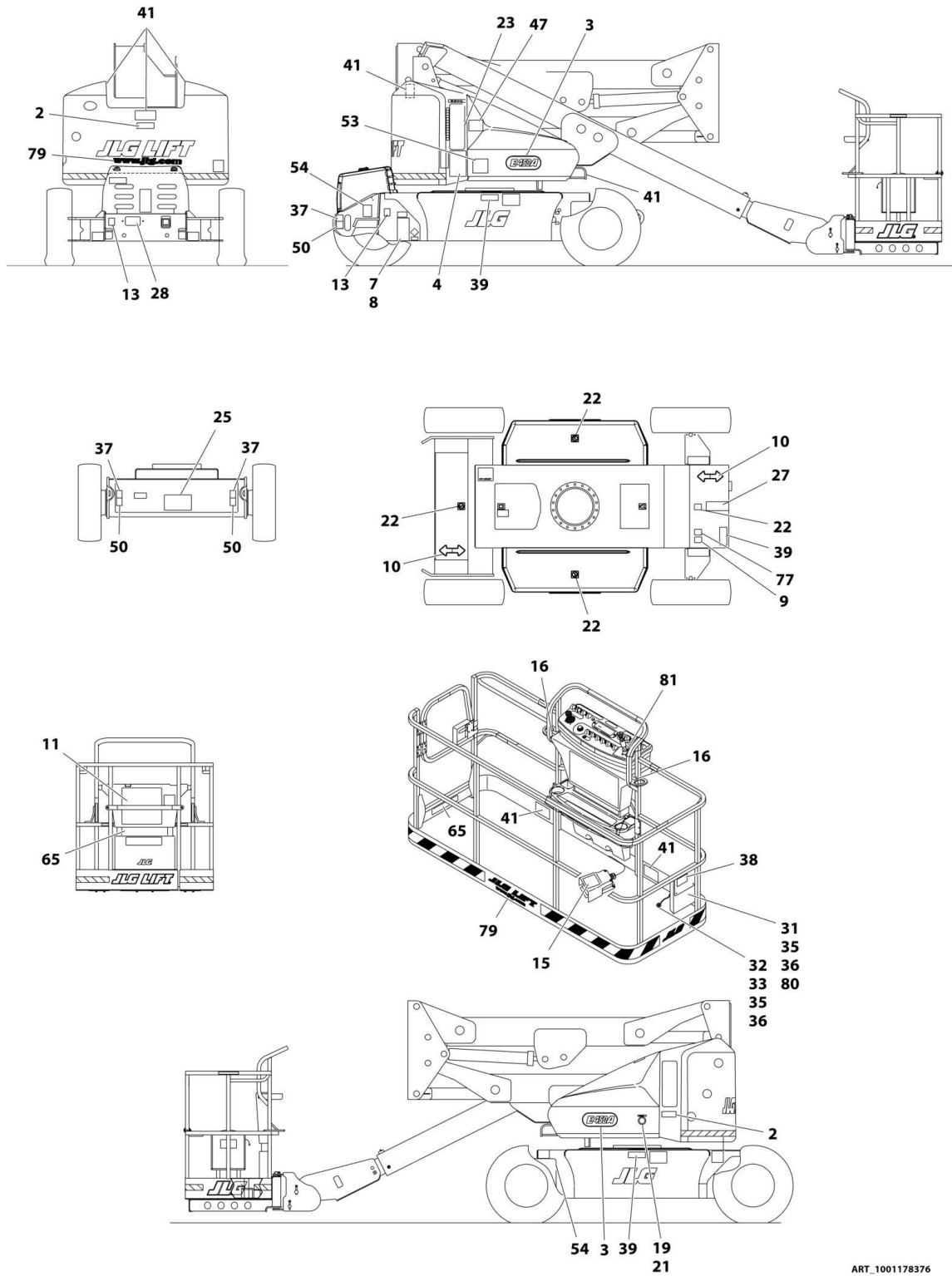
SECTION 9 - DECALS

FIGURE 9-14. DECAL INSTALLATION - CHINESE/ENGLISH - M450AJ

ITEM	PART NUMBER	QTY	DESCRIPTION	REV
	1001178375	Ref	DECAL INSTALLATION - CHINESE/ENGLISH - M450AJ	A
2	1703937	2	Decal - Electrocutation	
3	1704790	2	Decal - Model Designation	
4	1703931	1	Decal - Danger/Caution	
7	See Note	1	Nameplate - Serial Number (Note: Not Available for Purchase)	
8	3820001	2	Rivet	
9	1701504	1	Decal - Hydraulic Oil	
10	1701642	2	Decal - Arrow	
11	1703925	1	Decal - Caution/Danger	
13	1701644	2	Decal - Charger	
15	1703982	1	Decal - Footswitch	
16	1704277	2	Decal - Attach Lanyard	
19	0961127	1	Bushing, Snap	
21	0100010	AR	Adhesive	
22	1701691	4	Decal - No Step	
23	1001104864	1	Decal - Manual Descent	
25	1001173577	1	Decal - Cable Routing	
27	1704419	1	Decal - Charger	
28	1704431	1	Decal - Battery Charger LED Indicator	
31	0860520	1	Box, Manual Storage	
32	1060279	1	Lanyard	
33	0641408	1	Bolt 1/4-20 x 1	
35	4751400	6	Washer, 1/4	
36	3311405	5	Nut, Lock, 1/4-20	
37	1701500	4	Decal - Lift	
38	1701509	1	Decal - Manual	
39	1704344	3	Decal - Explosion Warning	
41	1703949	6	Decal - Crushing Hazard	
47	1703988	1	Decal - Upright Level Override	
50	1702300	4	Decal - Tie Down	
53	1001121823	1	Decal - 500 LBS. Max Capacity	
54	1704445	4	Decal - Tire Load	
65	1001121810	2	Decal - 500 LBS. Max Capacity	
70	1001093687	2	Decal - Generator Danger	
71	1701505	1	Decal - Fuel	
77	1704412	1	Decal - Oil Type	
78	1001121510	3	Decal - Hybrid	
79	1704885	2	Decal - Website	
80	0641406	4	Bolt 1/4-20 x 3/4	
81	1705430	1	Decal - Drive/Steer Instruction	

SECTION 9 - DECALS

FIGURE 9-15. DECAL INSTALLATION - CHINESE/ENGLISH - E450A/E450AJ



ART_1001178376

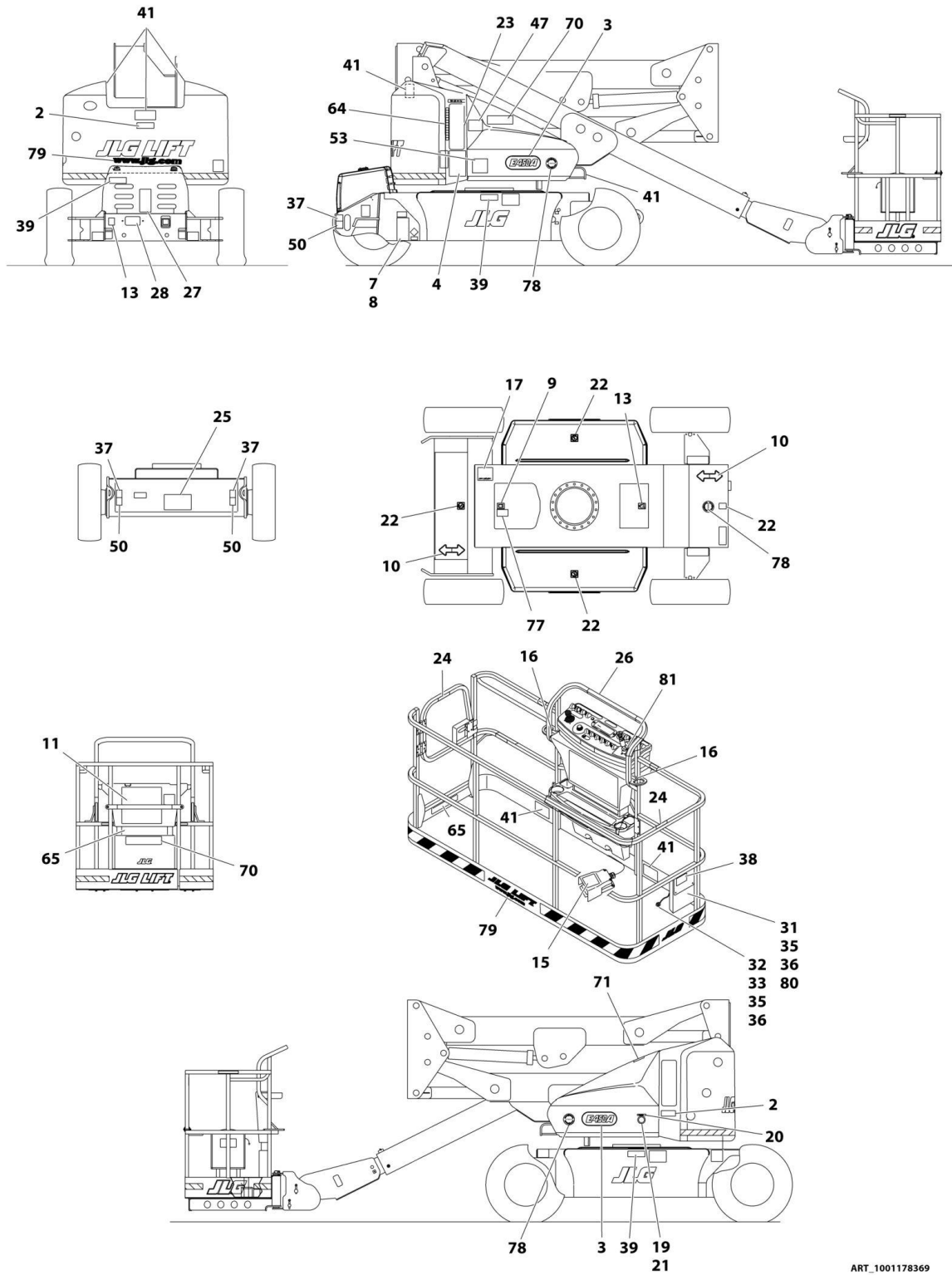
SECTION 9 - DECALS

FIGURE 9-15. DECAL INSTALLATION - CHINESE/ENGLISH - E450A/E450AJ

ITEM	PART NUMBER	QTY	DESCRIPTION	REV
	1001178376	Ref	DECAL INSTALLATION - CHINESE/ENGLISH - E450A/E450AJ	A
2	1703937	2	Decal - Electrocution	
3	1704787	2	Decal - Model Designation (E450A)	
3	1704789	2	Decal - Model Designation (E450AJ)	
4	1703931	1	Decal - Danger/Caution	
7	See Note	1	Nameplate - Serial Number (Note: Not Available for Purchase)	
8	3820001	2	Rivet	
9	1701504	1	Decal - Hydraulic Oil	
10	1701642	2	Decal - Arrow	
11	1703925	1	Decal - Caution/Danger	
13	1701644	2	Decal - Charger	
15	1703982	1	Decal - Footswitch	
16	1704277	2	Decal - Attach Lanyard	
19	0961127	1	Bushing, Snap	
21	0100010	AR	Adhesive	
22	1701691	4	Decal - No Step	
23	1001104864	1	Decal - Manual Descent	
25	1001173577	1	Decal - Cable Routing	
27	1704419	1	Decal - Charger	
28	1704431	1	Decal - Battery Charger LED Indicator	
31	0860520	1	Box, Manual Storage	
32	1060279	1	Lanyard	
33	0641408	1	Bolt 1/4-20 x 1	
35	4751400	6	Washer, 1/4	
36	3311405	5	Nut, Lock, 1/4-20	
37	1701500	4	Decal - Lift	
38	1701509	1	Decal - Manual	
39	1704344	3	Decal - Explosion Warning	
41	1703949	6	Decal - Crushing Hazard	
47	1703988	1	Decal - Upright Level Override	
50	1702300	4	Decal - Tie Down	
53	1001121823	1	Decal - 500 LBS. Max Capacity	
54	1703488	4	Decal - Tire Load (E450A)	
54	1704445	4	Decal - Tire Load (E450AJ)	
65	1001121810	2	Decal - 500 LBS. Max Capacity	
77	1704412	1	Decal - Oil Type	
79	1704885	2	Decal - Website	
80	0641406	4	Bolt 1/4-20 x 3/4	
81	1705430	1	Decal - Drive/Steer Instruction	

SECTION 9 - DECALS

FIGURE 9-16. DECAL INSTALLATION - SPANISH/PORTUGUESE SPECS - M450AJ



ART_1001178369

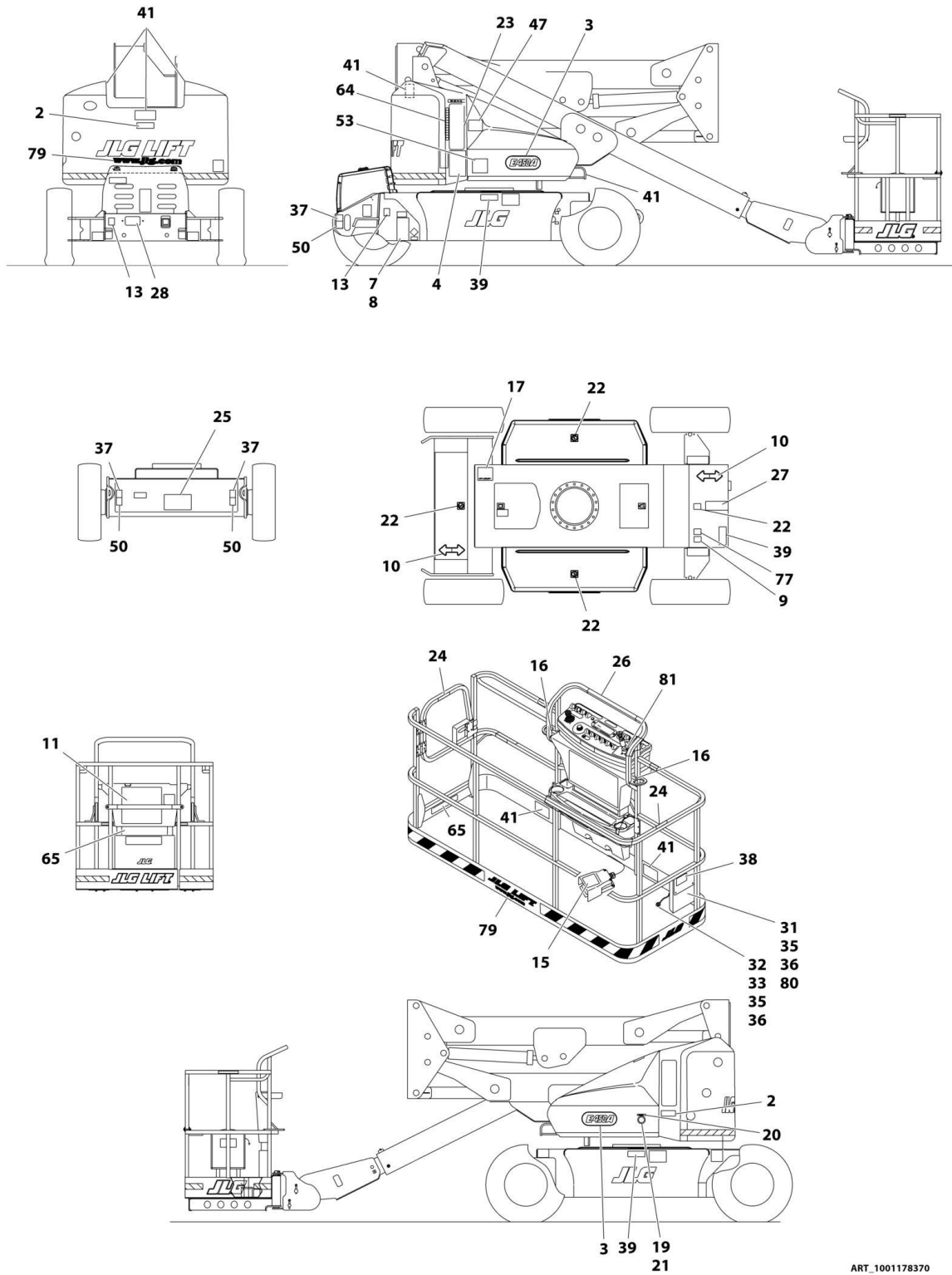
SECTION 9 - DECALS

FIGURE 9-16. DECAL INSTALLATION - SPANISH/PORTUGUESE SPECS - M450AJ

ITEM	PART NUMBER	QTY	DESCRIPTION	REV
	1001178369	Ref	DECAL INSTALLATION - SPANISH/PORTUGUESE SPECS - M450AJ	A
2	1703940	2	Decal - Electrocutation	
3	1704790	2	Decal - Model Designation	
4	1703934	1	Decal - Danger/Caution	
7	See Note	1	Nameplate - Serial Number (Note: Not Available for Purchase)	
8	3820001	2	Rivet	
9	1701504	1	Decal - Hydraulic Oil	
10	1701642	2	Decal - Arrow	
11	1703928	1	Decal - Caution/Danger	
13	1701644	2	Decal - Charger	
15	1703985	1	Decal - Footswitch	
16	1704277	2	Decal - Attach Lanyard	
17	1704008	1	Decal - Inspection	
19	0961127	1	Bushing, Snap	
20	3251243	1	Nameplate - 120V/60HZ	
21	0100010	AR	Adhesive	
22	1701691	4	Decal - No Step	
23	1001104864	1	Decal - Manual Descent	
24	1704002	2	Decal - No Hands	
25	1001173577	1	Decal - Cable Routing	
26	1704253	1	Decal - Key Platform	
27	1704453	1	Decal - Charger	
28	1704431	1	Decal - Battery Charger LED Indicator	
31	0860520	1	Box, Manual Storage	
32	1060279	1	Lanyard	
33	0641408	1	Bolt 1/4-20 x 1	
35	4751400	6	Washer, 1/4	
36	3311405	5	Nut, Lock, 1/4-20	
37	1701500	4	Decal - Lift	
38	1701509	1	Decal - Manual	
39	1704341	3	Decal - Explosion Warning	
41	1703952	6	Decal - Crushing Hazard	
47	1703991	1	Decal - Boon Sequence	
50	1702300	4	Decal - Tie Down	
53	1001121923	1	Decal - 500 LBS. Max Capacity	
64	1706950	1	Decal - Key, Main Terminal Box	
65	1001121920	2	Decal - 500 LBS. Max Capacity	
70	1001093687	2	Decal - Generator Danger	
71	1701505	1	Decal - Fuel	
77	1704412	1	Decal - Oil Type	
78	1001121510	3	Decal - Hybrid	
79	1704885	2	Decal - Website	
80	0641406	4	Bolt 1/4-20 x 3/4	
81	1001113680	1	Decal - Drive/Steer Instruction	

SECTION 9 - DECALS

FIGURE 9-17. DECAL INSTALLATION - SPANISH/PORTUGUESE SPECS - E450A/E450AJ



ART_1001178370

SECTION 9 - DECALS

FIGURE 9-17. DECAL INSTALLATION - SPANISH/PORTUGUESE SPECS - E450A/E450AJ

ITEM	PART NUMBER	QTY	DESCRIPTION	REV
	1001178370	Ref	DECAL INSTALLATION - SPANISH/PORTUGUESE SPECS - E450A/E450AJ	A
2	1703940	2	Decal - Electrocutation	
3	1704787	2	Decal - Model Designation (E450A)	
3	1704789	2	Decal - Model Designation (E450AJ)	
4	1703934	1	Decal - Danger/Caution	
7	See Note	1	Nameplate - Serial Number (Note: Not Available for Purchase)	
8	3820001	2	Rivet	
9	1701504	1	Decal - Hydraulic Oil	
10	1701642	1	Decal - Arrow	
11	1703928	1	Decal - Caution/Danger	
13	1701644	2	Decal - Charger	
15	1703985	1	Decal - Footswitch	
16	1704277	2	Decal - Footswitch	
17	1704008	1	Decal - Inspection	
19	0961127	1	Bushing, Snap	
20	3251243	1	Nameplate - 120V/60HZ	
21	0100010	AR	Adhesive	
22	1701691	4	Decal - No Step	
23	1001104864	1	Decal - Manual Descent	
24	1704002	2	Decal - No Hands	
25	1001173577	1	Decal - Cable Routing	
26	1704253	1	Decal - Key Platform	
27	1704453	1	Decal - Charger	
28	1704431	1	Decal - Battery Charger LED Indicator	
31	0860520	1	Box, Manual Storage	
32	1060279	1	Lanyard	
33	0641408	1	Bolt 1/4-20 x 1	
35	4751400	6	Washer, 1/4	
36	3311405	5	Nut, Lock, 1/4-20	
37	1701500	4	Decal - Lift	
38	1701509	1	Decal - Manual	
39	1704341	3	Decal - Explosion Warning	
41	1703952	6	Decal - Crushing Hazard	
47	1703991	1	Decal - Boom Sequence	
50	1702300	4	Decal - Tie Down	
53	1001121923	1	Decal - 500 LBS. Max Capacity	
64	1706950	1	Decal - Key, Main Terminal Box	
65	1001121920	2	Decal - 500 LBS. Max Capacity	
77	1704412	1	Decal - Oil Type	
79	1704885	2	Decal - Website	
80	0641406	4	Bolt, 1/4-20 x 3/4	
81	1001113680	1	Decal - Drive/Steer Instruction	

SECTION 10 - RECOMMENDED SERVICE PARTS STOCK

SECTION 10 - RECOMMENDED SERVICE PARTS STOCK

SECTION 10 - RECOMMENDED SERVICE PARTS STOCK

FIGURE 10-1. RECOMMENDED SERVICE PARTS STOCK

ITEM	PART NUMBER	QTY	DESCRIPTION	REV
	Note	Ref	Note: The following list will service one machine (built to current production per date on the front cover) with emergency repair parts which can be installed in the field. Parts from the list should be replaced when inventory is depleted to keep service parts stock supplied. For further information, contact your JLG dealer or the JLG Industries Parts Department.	
		Ref	STANDARD PARTS	
	4360070	1	Breaker, Circuit	
	4360448	1	Breaker, Circuit	
	7021618	1	Coil	
	7021609	1	Coil	
	7021610	1	Coil	
	1001178132	1	Controller (Drive and Steer)	
	1001178139	1	Controller (Lift and Swing)	
	4360476	1	Contact, Switch	
	3990001	2	Diode	
	7021616	4	Filter Cartridge	
	2860030	1	Key Replacement	
	2940074	1	Latch	
	4360328	1	Switch, Toggle	
	4360330	1	Switch, Toggle	
	4360475	1	Switch, Emergency	
	4360469	1	Switch, Key (ANSI Spec)	
	4360470	1	Switch, Key (CE Spec)	
	4360387	1	Switch, Push Button	
		Ref	VARIABLE PARTS	
	1001109475	1	Breaker 16Amp (CE Spec with 2 Breakers Box)	
	1001109482	1	Breaker 30mA (CE Spec with Breaker Box)	
	1001152479	1	Breaker 16Amp (CE Spec with 3 Breaker Box)	
	70000313	1	Element, Air Cleaner (M450AJ Only)	
	70000318	1	Element, Fuel Filter (M450AJ Only)	
	70000319	1	Element, Oil Filter (M450AJ Only)	
	2400062	1	Fuse - 300Amp (UL Listed)	
	2400068	1	Fuse, 10Amp (UL Listed)	
	70000329	1	Fuse 15Amp (M450AJ Only)	
	70000330	1	Fuse 20Amp (M450AJ Only)	
	1600292	1	Module (Frame Power)	
	1600293	1	Module (Posi-Trac)	
	1001109497	1	Module (Ground Control)	
	1001109498	1	Module (Platform Control)	
	70000326	1	Module (Engine Control)	
	7019698	1	Power Track - 1 Link	
	70001996	1	Power Track - 2ft. Section	
	70001998	1	Power Track - Bracket Kit	
	4360548	1	Switch, Limit	
	4360274	1	Switch, Push Button (M450AJ Only)	
	4360336	1	Switch, Toggle (M450AJ Only)	

SECTION 11 - SPECIAL OPTIONS

SECTION 11 - SPECIAL OPTIONS

FIGURE 11-1. SPECIAL OPTIONS

ITEM	PART NUMBER	QTY	DESCRIPTION	REV
	1001154231	Ref	Strobe Light Installation (Amber) Platform/Ground Mounted	
		Ref	MISCELLANEOUS SPECIAL OPTIONS	
		Ref	Note: This list is to accommodate machines ordered with special equipment. Options may not be applicable to all models. For more specific parts information contact JLG Parts Department.	
	0259877	Ref	Airline Installation - 1/2in (E450A Model)	
	0275650	Ref	Airline Installation - 1/2in (E/M450AJ Models)	
	0258703	Ref	Console Cover	
		Ref	Cylinder Bellows Installations	
	0259397	Ref	Cylinder Bellows Installations (E450A)	
	0271251	Ref	Cylinder Bellows Installations (E/M450AJ)	
	0460110	2	Bellows - Platform Level and Master Cylinders (E450A)	
	0460194	2	Bellows - Platform Level and Master Cylinders (E/M450AJ)	
	0460115	1	Bellows - Main Lift Cylinder	
	0460113	1	Bellows - Mid Lift Cylinder	
	0460114	1	Bellows - Tower Lift Cylinder	
	0460196	1	Bellows - Jib Cylinder (E/M450AJ)	
	1320037	6	Clamp	
		Ref	Decal Installations	
	1001155155	Ref	Decal - Boels Rentals	
	0274530	Ref	Decal - Head and Engquist Equipment Installation	
	1001128915	Ref	Decal - Hertz Rentals Installation	
	1703175	Ref	Decal - Lanyard Attach (GM K-1 Spec)	
	0274250	Ref	Decal - National Equipment Services (NES)	
	1702868	Ref	Decal - No Hands (English) (ANSI Spec) (Used with Platform Padding or Mesh to Top Rail)	
	1704000	Ref	Decal - No Hands (English & French) (CSA Spec) (Used with Platform Padding or Mesh to Top Rail)	
	1705968	Ref	Decal - No Hands (English/Simplified Chinese) (ANSI Export Spec) (Used with Platform Padding or Mesh to Top Rail)	
	1001116846	Ref	Decal - No Hands (English and Traditional Chinese) (ANSI Export Spec) (Used with Platform Padding or Mesh to Top Rail on Side Entry Platforms)	
	1001096553	Ref	Decal - RSC Equipment Rental	
	0271108	Ref	Decal - Sunbelt Rentals Installation	
	0270433	Ref	UL Listed Machines Decal Installation	
	0271898	Ref	Decal - United Rentals Installations	
	1001141474	Ref	Decal - Volvo Rents Installation	
	0259550	Ref	Decal - Warning Stripes Installation	
		Ref	Electrical Connector Kits	
	1001148902	Ref	Amp Connector Kit	
	1001148903	Ref	Deutsch DT Connector Kit	
	1001148904	Ref	Deutsch HD Connector Kit	
	1001148905	Ref	Packard Connector Kit	
	1001148906	Ref	Various Connector Kit	
	1001166284	Ref	Headlight and Tail Lights Installation	
		Ref	Hydraulic Fluids	
	2300028	Ref	Hydraulic Fluid - Mobil DTE 10 Excel 15	
	2300027	Ref	Hydraulic Fluid - Mobil EAL 224H - Biodegradable	
	0257728	Ref	Pipe Rack	

SECTION 11 - SPECIAL OPTIONS

ITEM	PART NUMBER	QTY	DESCRIPTION	REV
		Ref	Platform Mesh Installations	
	0273146	Ref	30in X 5ft (76cm x 1.52m)	
	0273147	Ref	30in X 4ft (76cm x 1.22m)	
		Ref	Platform Padding Installation	
	0273381	Ref	30 x 48 Platform	
	0273382	Ref	30 x 60 Platform	
	0275698	Ref	36 x 72 Platform	
		Ref	Platform Top Rail Extension Installation	
	1001103617	Ref	30 x 48 Platform	
	1001103558	Ref	30 x 60 Platform	
	0259338	Ref	Platform Worklights Installation	
	1001149561	Ref	SkyGuard Kit	
	0274323	Ref	Soft-Touch Installation	
		Ref	Strobe Light Installations (Amber)	
	1001152965	Ref	Strobe Light Installation (Amber) Platform Mounted	

PART NUMBER INDEX

PART NUMBER INDEX

0060044.....163, 167	0273683.....41	341, 343, 345, 347,	0801179.....157
0060052.....159, 165	0273684.....45	397, 399, 401, 403,	0801192.....161
0100001.....169	0273686.....47	405, 407, 409, 411,	0801197.....161
0100009....159, 197, 201,	0274250.....428	413, 415, 417, 419,	0801260.....161
209	0274323.....429	421, 423	0801261.....159
0100010....393, 395, 397,	0274530.....428	0641410.....171, 173	0801264.....155, 157
399, 401, 403, 405,	0275216.....341, 367	0641413.....97, 99, 101	0840031....19, 23, 27, 71,
407, 409, 411, 413,	0275217.....343, 369	0641414.....99, 101	73, 75
415, 417, 419, 421, 423	0275218.....345, 371	0641416...335, 337, 339,	0840032....19, 23, 27, 71,
0100011....13, 19, 23, 27,	0275219.....347, 373	341, 343, 345, 347	73, 75
49, 51, 53, 55, 63, 65,	0275452.....335, 361	0641418....185, 187, 189	0860038.....329, 333
67, 83, 85, 87, 89, 97,	0275453.....337, 363	0641430.....19, 24, 27	0860520....393, 395, 397,
99, 101, 119, 121, 123,	0275454.....339, 365	0641440.....55	399, 401, 403, 405,
141, 143, 147, 155,	0275650.....428	0641506.....155	407, 409, 411, 413,
157, 159, 161, 171,	0275663.....379	0641508..19, 23, 27, 141,	415, 417, 419, 421, 423
173, 183, 185, 187,	0275664.....381	143, 147	0861152....125, 127, 129,
189, 223, 225, 227,	0275665.....383	0641510.....117	131
229, 231, 233, 245, 247	0275666.....385	0641512.....245, 247	0861375.....24
0100019..19, 23, 27, 113,	0275667.....387	0641514...141, 143, 171,	0861537.....197, 201
171, 173	0275698.....429	173	0861731....361, 363, 365
0100020....123, 147, 215,	0340047.....23	0641516.....163, 171	0861781.....367, 369
254, 258, 262	0340048.....53	0641524.....19, 23, 27	0861880.....357
0100035....137, 139, 197,	0400055.....71, 75	0641542.....49	0901923.....141, 143
201, 223, 225, 227,	0400201.....123	0641560.....171, 173	0902406....125, 127, 129,
229, 231, 233	0440162.....13	0641604.....245	131
0100038....223, 225, 227,	0460110.....428	0641605...125, 127, 129,	0903484....335, 337, 339,
229, 231, 233, 245, 247	0460113.....428	131, 161	341, 343, 345, 347
0100081.....161	0460114.....428	0641606...13, 63, 65, 67,	0920113.....19, 23, 27
0140011.....197, 201	0460115.....428	97, 99, 101, 159, 161	0940048.....155, 157
0140028.....97, 99, 101	0460194.....428	0641607...157, 159, 161	0961127....393, 395, 397,
0140031.....111	0460196.....428	064160851, 53, 121, 155,	399, 401, 403, 405,
0257728.....428	0561076.....155, 157	157, 159, 161	407, 409, 411, 413,
0257735.....171	0561317.....171, 173	0641609.....19, 23, 27	415, 417, 419, 421, 423
0258688.....37	0561384.....171, 173	0641610...51, 53, 63, 65,	0961845....185, 187, 189
0258691.....155	0561385.....171, 173	155, 157, 169, 183,	0961947.....167, 243
0258703.....428	0561386.....171, 173	193, 195	0961948.....161
0258995.....37	0561424.....171	0641614....89, 141, 143,	0961950....155, 157, 159,
0258996.....39	0610131...77, 79, 81, 83,	149	161, 223, 225, 227,
0258997.....39	85, 87	0641616.....163	229, 231, 233
0259102.....207	0630399.....159	0641618.....147, 163	096195115, 17, 159, 163,
0259123.....329	0630401.....161	0641622.....123	237, 241, 243
0259125.....333	0630440.....91	0641806.....155, 157	0962140.....15, 17
0259127.....331	0630464.....197, 201	0641807.....63, 65	0962257.....167
0259302.....49	0630467.....171, 173	0641810.....155, 157	0962292.....163
0259338.....429	0630468.....141, 143	0641811.....71, 73, 75	0962356.....235, 239
0259367.....173	0630487.....159	0641812....117, 155, 157	1001001140.....235
0259397.....428	0630518...125, 127, 129,	0641818.....159, 161	1001093382....71, 73, 75
0259481.....147	131	0641826.....19, 23, 27	1001093687....397, 401,
0259550.....428	0630552.....123	0681608.....169	405, 413, 417, 421
0259877.....428	0630568.....197, 201	0681810.....13	1001094670.....163
0270037.....43	0641404.....159	0682012.....27	1001096553.....428
0270273.....391	0641405...77, 79, 81, 83,	0682014.....19, 23	1001097150....357, 359
0270400.....163	85, 87, 159	0682026.....113	1001097506....63, 65, 67,
0270433.....428	0641406...19, 23, 27, 89,	0682028.....113	69
0271108.....428	91, 93, 123, 147, 191,	0700408...335, 337, 339,	1001097507..97, 99, 101,
0271251.....428	193, 195, 393, 395,	341, 343, 345, 347	103
0271493.....175	397, 399, 401, 403,	072080497, 99, 101, 197,	1001097775.99, 101, 109
0271898.....428	405, 407, 409, 411,	201	1001097777..97, 99, 101,
0272111.....209	413, 415, 417, 419,	0721004.....91, 93	107
0272976.....169	421, 423	0721005...125, 127, 129,	1001099833.....161
0273089.....205	0641407...77, 79, 81, 83,	131	1001100341.....367
0273146.....429	85, 87, 141, 143, 335,	0721006.....24	1001100342.....369
0273147.....429	337, 339, 341, 343,	0750808...125, 127, 129,	1001100345.....361
0273381.....429	345, 347	131	1001100346.....365
0273382.....429	0641408...111, 149, 193,	0801154.....159	1001100347.....363
0273468.....45	195, 335, 337, 339,	0801169.....155, 159	

PART NUMBER INDEX

1001103105 ... 77, 79, 81, 83, 85, 87, 287	1001140429..... 185, 187, 189	1001166260.....343	1001173577 393, 395, 397, 399, 401, 403, 405, 407, 409, 411, 413, 415, 417, 419, 421, 423
1001103558 429	1001140597..... 155	1001166261345	1001175025 91, 93
1001103617 429	1001140598..... 159, 239	1001166262347	1001175597 198, 202
1001104850 113, 115	1001141474..... 428	1001166263341	1001175617 193, 197
1001104864 393, 395, 397, 399, 401, 403, 405, 407, 409, 411, 413, 415, 417, 419, 421, 423	1001141967..... 371, 373	1001166284..... 428	1001175619 195, 201
1001106757 161	1001141968..... 371	1001166296..... 91, 93	1001176309 23, 273
1001108923 393, 413	1001141969..... 373	1001166321..... 93	1001176310 20, 271
1001109475 357, 426	1001141970..... 373	1001166327..... 93	1001176311 28, 275
1001109482 357, 426	1001141971..... 371	1001166328..... 91	1001176417 141, 143
1001109497 125, 127, 129, 131, 426	1001144018..... 185	1001166341..... 119	1001176441 141, 143
1001109498 197, 201, 426	1001144019..... 187	1001166377..... 91	1001177483 157
1001109687 253, 257, 261	1001144020..... 189	1001166395..... 113	1001177666 253, 257
1001109860 319	1001144026..... 181	1001166414..... 13	1001178132 198, 202, 211, 426
1001110226 205	1001144027..... 179	1001166417..... 51	1001178139 198, 202, 213, 426
1001110435 197, 201	1001144629..... 179, 181, 183	1001166419..... 51, 53	1001178362 393
1001110775 43	1001144630..... 183	1001166420..... 63, 65	1001178364 395
1001110873 329	1001145800..... 195	1001166437..... 111	1001178365 413
1001113680 421, 423	1001146082..... 193	1001166438..... 63, 97	1001178366 415
1001114782 73	1001148902..... 428	1001166439..... 65, 99	1001178367 409
1001116232 121	1001148903..... 428	1001166440..... 121	1001178368 411
1001116368 327	1001148904..... 428	1001166444..... 81	1001178369 421
1001116522 121, 291	1001148905..... 428	1001166493..... 91, 93	1001178370 423
1001116810 281, 283	1001148906..... 428	1001166495..... 71, 73	1001178371 401
1001116811 287	1001149561..... 429	1001166496..... 71, 73, 75	1001178372 403
1001116846 428	1001149818..... 135, 137, 377	1001166497..... 71	1001178373 405
1001117172 215	1001149955..... 135	1001166498..... 73	1001178374 407
1001119228 161	1001149994..... 139	1001166738..... 141	1001178375 417
1001121510 393, 397, 401, 405, 409, 413, 417, 421	1001150406..... 135, 137, 139	1001166938..... 79	1001178376 419
1001121801 393, 395	1001151368..... 161, 247	1001166939..... 77	1001178377 397
1001121803 413, 415	1001151386..... 247	1001167014..... 89	1001178378 399
1001121805 409, 411	1001151393..... 125, 127, 129, 131	1001167024..... 89	1001178491 335, 337, 339, 341, 343, 345, 347
1001121808 401, 403	1001151413..... 245	1001167252..... 19	1060092 . 71, 73, 75, 271, 273, 275
1001121810 417, 419	1001151414..... 159, 245	1001167291..... 55	1060279 ... 397, 399, 401, 403, 405, 407, 409, 411, 413, 415, 417, 419, 421, 423
1001121814 393, 395	1001152230..... 245, 247	1001167303..... 83, 85, 87	1060330 215
1001121816 413, 415	1001152479..... 359, 426	1001167360..... 67, 101	1060341 313, 315
1001121818 409, 411	1001152482..... 359	1001167363..... 55	1060461 351, 355
1001121821 401, 403	1001152483..... 359	1001167419..... 87	1060494 289, 349, 353
1001121823 417, 419	1001152485..... 337, 347, 359	1001167420..... 83	1060584 ... 125, 127, 129, 131
1001121918 405, 407	1001152635..... 253, 257	1001167421..... 85	1060677 307, 309, 311
1001121920 421, 423	1001152965..... 429	1001167426..... 273	1060689 ... 77, 79, 81, 83, 85, 87
1001121921 405, 407	1001153017..... 113, 117	1001167431..... 273	1060717 271, 275
1001121923 421, 423	1001153021..... 13	1001167433..... 271	1060718 271, 275
1001125248 147	1001154231..... 428	1001167434..... 271	1060719 271, 275
1001128915 428	1001155044..... 197, 201	1001167487..... 53	1060721 271, 275
1001131269 393, 395	1001155045..... 197, 201	1001167645..... 23	1060722 271, 275
1001132175 197, 201	1001155155..... 428	1001167699..... 123, 133, 147, 217	1060723 271, 275
1001136881 254	1001157058..... 119	1001168004..... 123	1060724 271, 275
1001136889 197, 201, 215	1001158612..... 137	1001168005..... 123	1060728 275
1001138494 185, 187, 189	1001159256..... 197, 201	1001168670..... 75	1060754 147
1001138514 185, 187, 189	1001159355..... 149, 151	1001168673..... 157	1060755 147
1001140278 157, 237	1001159361..... 147, 149	1001168731..... 27	1060778 ... 77, 79, 81, 83, 85, 87, 285
1001140279 157, 241	1001165962..... 143	1001168800..... 75	1060779 285
1001140280 163, 243	1001165963..... 141	1001169635..... 253, 264	1060801 89
	1001165977..... 123	1001169637..... 257, 264	
	1001165980..... 141, 143	1001169639..... 261, 264	
	1001165981..... 141, 143	1001170991... 63, 65, 281	
	1001165985..... 141, 143	1001171115..... 67, 283	
	1001166250..... 143	1001171213..... 51, 53, 59	
	1001166251..... 335	1001171214..... 55, 61	
	1001166258..... 337	1001171289..... 271, 275	
	1001166259..... 339	1001171290..... 271, 275	
		1001171291..... 273	
		1001171292..... 273	
		1001171293..... 275	
		1001171298..... 121	

PART NUMBER INDEX

1060802.....89	1683947 233	1703925 417, 419	1704452.....413, 415
1060809.....271, 273, 275	1684055 223	1703926 401, 403	1704453.....421, 423
1060810.....271, 273, 275	1684056 227	1703927 405, 407	1704454.....409, 411
1060811.....271, 273, 275	1684059 231	1703928 421, 423	1704712.....24
1060835.....273	1684060 231	1703929 409, 411	1704787....395, 399, 403,
1060836.....273	1684061 155, 231	1703930 413, 415	407, 411, 415, 419, 423
1060837.....273	1684451 157, 225	1703931 417, 419	1704789....395, 399, 403,
1060839.....273	1684452 157, 229	1703932 401, 403	407, 411, 415, 419, 423
1060840.....273	1684492 155, 223	1703933 405, 407	1704790....393, 397, 401,
1060841.....273	1684493 155, 227	1703934 421, 423	405, 409, 413, 417, 421
1060842.....273	1700584 415	1703935 409, 411	1704885....393, 395, 397,
1060847.....273	1701500 ... 393, 395, 401,	1703936 413, 415	399, 401, 403, 405,
1060908.....357, 359	403, 405, 407, 409,	1703937 417, 419	407, 409, 411, 413,
10837580.....103	411, 413, 415, 417,	1703938 401, 403	415, 417, 419, 421, 423
1120093.....223	419, 421, 423	1703939 405, 407	1705325.....341
1120094.....225	1701504 ... 393, 395, 397,	1703940 421, 423	1705351.....393, 395
1120108.....231, 233	399, 401, 403, 405,	1703947 409, 411	1705364.....47
1120110.....245, 247	407, 409, 411, 413,	1703948 413, 415	1705426.....401, 403
1120305.....227, 229	415, 417, 419, 421, 423	1703949 417, 419	1705427.....405, 407
1120487.....123	1701505 ... 393, 401, 405,	1703950 401, 403	1705429.....413, 415
1120552.....47	409, 413, 417, 421	1703951 405, 407	1705430.....417, 419
1180302.....159	1701509 ... 393, 395, 397,	1703952 421, 423	1705514.....413, 415
1220038.....159	399, 401, 403, 405,	1703980 401, 403	1705670.....397, 399
1220039.....159	407, 409, 411, 413,	1703981 405, 407	1705822.....397, 399
1220040.....159	415, 417, 419, 421, 423	1703982 417, 419	1705828.....397, 399
1300019.....47	1701518 397, 399	1703983 409, 411	1705910.....409, 411
1320012.....147	1701642 ... 393, 395, 397,	1703984 413, 415	1705921.....397, 399
1320022.....123, 147	399, 401, 403, 405,	1703985 421, 423	1705968.....428
1320033.....261	407, 409, 411, 413,	1703987 405, 407	1705977.....397, 399
1320037.....428	415, 417, 419, 421, 423	1703988 417, 419	1705978.....397, 399
1320041.....123, 141, 143	1701644 ... 393, 395, 397,	1703991 421, 423	1706378.....397, 399
1320043.....171, 173	399, 401, 403, 405,	1704000 413, 415, 428	1706938....125, 127, 129,
1320135.....147	407, 409, 411, 413,	1704001 409, 411	131
1320136....77, 79, 81, 83,	415, 417, 419, 421, 423	1704002 421, 423	1706950....393, 395, 409,
85, 87	1701691 ... 393, 395, 397,	1704008 421, 423	411, 413, 415, 421, 423
1320172.....19, 24, 28	399, 401, 403, 405,	1704240 197, 201	1760160.....159
1320260.....171, 173	407, 409, 411, 413,	1704253 ... 393, 395, 403,	1810136.....125
1380136.....97, 99, 101	415, 417, 419, 421, 423	409, 411, 413, 415,	1810137.....127
1380138.....91, 93	1702124 254, 258, 262	421, 423	1810138.....129
1380164.....147	1702265 ... 393, 395, 409,	1704260 197, 201	1810139.....131
1580012.....191	411, 413, 415	1704277 ... 393, 395, 397,	2080040....179, 181, 183
1600292... 19, 23, 27, 426	1702271 401, 403	399, 401, 403, 405,	2160003.....117
1600293... 19, 23, 27, 426	1702300 ... 393, 395, 401,	407, 409, 411, 413,	2180348.....123
1600294.....19, 27, 277	403, 405, 407, 409,	415, 417, 419, 421, 423	2220237....254, 258, 262
1600300.....23, 279	411, 413, 415, 417,	1704286 393	2220371....253, 257, 261
1670679.....159, 161	419, 421, 423	1704339 409, 411	2220386....253, 257, 261
1670697.....171, 173	1702565 197, 201	1704340 413, 415	2220415....253, 254, 257,
1670698.....159	1702566 197, 201	1704341 421, 423	258, 261, 262
1670829.....197, 201	1702567 197, 201	1704342 401, 403	2220466....253, 257, 261
1670832.....175	1702740 37, 41, 47	1704343 405, 407	2220472....253, 257, 261
1670833.....175	1702773 391	1704344 417, 419	2220473....253, 257, 261
1670880.....91	1702774 391	1704371 409	2220498.....253, 257
1670887.....49	1702860 391	1704412 ... 393, 395, 397,	2220499.....258, 262
1670953.....89	1702868 393, 395, 428	399, 401, 403, 405,	2220501....253, 257, 261
1683584.....245, 247	1702962 393	407, 409, 411, 413,	2220502....253, 257, 261
1683591.....13, 221	1703175 428	415, 417, 419, 421, 423	2220504....253, 257, 261
1683706.....245	1703488 ... 395, 399, 403,	1704417 401, 403	2220507....253, 257, 261
1683709.....231, 233	407, 415, 419	1704418 405, 407	2220516.....245, 247
1683710.....223, 225	1703797 393, 395	1704419 417, 419	2220517.....245, 247
1683712.....227, 229	1703798 393, 395	1704431 ... 393, 395, 397,	2220582....254, 257, 258,
1683802.....247	1703804 393, 395	399, 401, 403, 405,	261, 262
1683940.....225	1703805 393, 395	407, 409, 411, 413,	2220593....253, 257, 261
1683941.....223, 225	1703811 397, 399	415, 417, 419, 421, 423	2220596.....245, 247
1683943.....229	1703813 393, 395	1704445 ... 393, 395, 397,	2220600....254, 257, 261
1683944.....227, 229	1703814 397, 399	399, 401, 403, 405,	2220605.....254
1683945.....157, 233	1703923 409, 411	407, 413, 415, 417, 419	2220609.....254
1683946.....233	1703924 413, 415	1704446 393, 395	2220628.....245, 247

PART NUMBER INDEX

2220654	258, 262	2752600	258, 262	3300315.....	231	3422692	13
2220677	253, 257, 261	2752611	257, 261	3300353.....	89	3422709	159
2220684	253	2752620	253	3300365....	125, 127, 129, 131	3422791	163
2220711	254, 257, 261	2752675	261	3300396....	125, 127, 129, 131	3422792	157
2220727	253	2752795	253, 257, 261	3300426....	13, 19, 23, 27	3422793	157
2220805	147	2752983	254	3300454....	19, 23, 27, 55, 83, 85, 87	3422794	163
2220873	258, 262	2753010	261	3310601..	19, 23, 27, 197, 201	3422804	161
2220883	245, 247	2753050	253, 257, 261	3310805..	97, 99, 101, 121	3422806	157
2220885 ...	223, 227, 231, 233, 253, 257, 261	2753301	257, 261	3311001.....	24, 183	3422901	159
2220899	253, 257, 261	2753302	257, 261	331100591,	93, 125, 127, 129, 131, 175	3450304.....	141, 143
2220909	254, 258, 262	2753303	257, 261	3311011....	125, 127, 129, 131	3450810	13
2220934	254, 258, 262	2753304	257, 261	3311401....	20, 24, 27, 91, 159, 161, 171, 173	3460457	147
2220999	253, 257, 261	2753305	257, 261	3311405....	77, 79, 81, 83, 85, 87, 89, 91, 93, 111, 123, 147, 149, 171, 173, 193, 195, 335, 337, 339, 341, 343, 345, 347, 393, 395, 397, 399, 401, 403, 405, 407, 409, 411, 413, 415, 417, 419, 421, 423	3470003	197, 201
2221033	253, 257, 261	2753326	253	3311501.....	24, 141, 143, 163	3480239	245, 247
2221046	123	2753973	253, 257	3311505..	19, 23, 27, 147, 155, 161, 171, 173	3480240	231, 233
2221047	123	2760105	197, 201	331160151,	53, 141, 143, 157, 197, 201	3480241	223, 225
2221054	254, 257, 261	2780241	13, 15	3311602.....	159	3480242	227, 229
2221086	254, 258, 262	2780242	13, 17	3311605..	63, 65, 89, 123, 147, 149, 155, 157, 159, 161, 163, 169, 183, 193, 195	3510844	183
2221147	253	2780282	19, 23, 27, 31	3311805..	71, 73, 75, 155, 157	3520026...	125, 127, 129, 131
2300027	428	2792505	264	3312008.....	13	3520028...	125, 127, 129, 131
2300028	428	2820035	89	3312602.....	139	3520030	197, 201
2400044	24	2820105	91	3322202.....	13	3520034	159
2400062	24, 426	2820106	90	3322205.....	245, 247	3520054	197, 201
2400067	201	2820111	147	3323003.....	13	3520072...	179, 181, 185, 187, 189
2400068	201, 426	2820112	147	3340663.....	159	3520173	209
2420106 ...	125, 127, 129, 131	2820116	147	3340679.....	245	3520198...	179, 181, 183, 185, 187, 189
2460037	89	2820117	147	3340682.....	159	3536999	171
2540037	24	2820218	147	3340820.....	159	3537045	155
2540045	71, 73, 75	2860030 ...	125, 127, 129, 131, 426	3340837.....	161	3571462	173
2560122	97, 99, 101	2900768	19, 23, 27	3340860.....	163	3571834 ...	77, 79, 81, 83, 85, 87
2560123	97, 99, 101	2900770 ...	165, 167, 223, 225, 227, 229, 231, 233, 249	3340881.....	161	3572413	183
2560136	197, 201	2900792	239, 241, 243	3340939.....	161	3572551	163
2600281	179, 181, 183	2901804	231, 233	3380434.....	193, 195	3575952	149
2700093	91, 93	2901805	227, 229	3380602.....	147	3575961	147
2720058	123	2901806	223, 225	3420156.....	141, 143	3600289....	51, 53, 55, 57
2720271	123	2902549 ...	335, 339, 341, 343, 345, 357	3422175.....	155, 157	3760115	159, 161
2720559	147	2920151	133	3422176.....	155, 157	3760308	91, 93
2750910	253, 257, 261	2920161	139, 375	3422177.....	155, 157	3790012...	197, 201, 207, 217
2750915	254, 257	2940071	141, 143	3422178.....	155, 157	3790113	249
2750916	253, 257	2940074 ...	179, 181, 183, 426	3422179.....	155	3820001 ...	393, 395, 397, 399, 401, 403, 405, 407, 409, 411, 413, 415, 417, 419, 421, 423
2750996	253, 257, 261	2940095	91, 93	3422180.....	155, 159	3820019	91, 93
2751009	257, 261	2940115	91	3422181.....	159	3820020	179, 181
2751126	253	3000003	71, 73, 75	3422182.....	159	3841143	155, 157, 159
2751127	253	3020008	13, 19, 23, 27	3422582.....	157	3841203	155, 157
2751414	258, 262	3020029	113	3422669.....	157	3841517	13
2751508	253, 257, 261	3020037	19, 23, 27			3900085	139
2752430	257, 261	3160237	19, 23, 27, 35			3900104	175
2752435	253	3251243 ...	393, 395, 409, 411, 413, 415, 421, 423			3900109	13
2752437	257, 261	3252347	393, 395			3900128	137
2752440	254	3252507 ...	333, 335, 337, 339, 343, 345, 347			3900142	233
2752453	253, 257	3290405 ...	335, 337, 339, 341, 343, 345, 347			3900170 ...	223, 225, 227, 229, 231, 233
2752459	253, 257, 261	3290606	185, 187, 189			3900174	91, 93
2752462	261	3300151 ...	171, 173, 185, 187, 189			3910610	329, 333
2752466	257, 261	3300188 ...	125, 127, 129, 131			3910624	19, 23, 27
2752467	253, 257	3300279	233			3910804...	125, 127, 129, 131
2752475	253	3300281 ...	223, 225, 227, 229			3910808	201
2752486	261						
2752519	261						
2752572	253						
2752573	253						
2752574	261						
2752580	253						
2752581	253						
2752585	253, 257, 261						
2752589	253, 257						

PART NUMBER INDEX

3911008.....183	4460007 ... 125, 127, 129, 131	4460635 319	4640807.....245, 247, 249
3930824.....121	4460042 215, 297, 319	4460662 335, 337, 339	4640861.....254, 258, 262
3931028.....175	4460071 215, 329, 333	4460685 111	4640932.....239, 241
3931832.....113	4460078 89	4460709 355	4640936.....231, 233
3951402.....231, 245	4460125 333	4460710 351	4641086.....241
3960389.....91, 147	4460134 289, 349	4460738 ... 269, 281, 283, 297	4641122.....39, 45
3960417.....91, 147	4460138 77, 85, 289	4460742 281, 283, 295	4641167.....37, 41, 47
3960418.....147	4460145 293, 297, 299	4460743 281, 283, 295	4641386.....223, 225, 227, 229
3960422.....329, 333	4460183 215, 293	4460744 281, 283	4711400.... 19, 23, 27, 55, 77, 79, 81, 83, 85, 87, 97, 99, 101, 111, 123, 147, 185, 187, 189, 335, 337, 339, 341, 343, 345, 347
3960433.....93	4460205 329, 353	4460745 281, 283	471150024, 49, 161, 197, 201
3960438.... 125, 127, 129, 131	4460225 ... 277, 279, 297, 305, 317, 327	4460746 281, 283	4711600.... 19, 23, 27, 63, 65, 67, 97, 99, 101, 121, 141, 143, 161, 169, 183
3960447.....91, 93	4460226 ... 215, 277, 279, 281, 283, 285, 293, 295, 321, 325	4460748 281, 283	4711800.....63, 65
3960453.....141, 143	4460227 ... 277, 279, 281, 283, 291, 293, 295, 297, 301, 303, 317, 319, 323, 325, 327	4460749 281, 283	4740120.... 125, 127, 129, 131
3990001.....299, 426	4460233 333	4460750 281, 283	4740156.....13
3990105.....19, 23, 27	4460234 197, 201	4460751 281, 283	4740171.....113
4010618.....185, 187, 189	4460259 ... 293, 297, 299, 321, 327	4460752 197, 201, 311	4740207.....227, 229
4060092.....333	4460260 ... 293, 297, 299, 321, 327	4460753 171, 173	4740362.....193, 195
4060802.... 125, 127, 129, 131	4460264 ... 125, 127, 129, 131	4460754 ... 171, 173, 307, 309	4740397.... 125, 127, 129, 131, 197, 201
4060804.....91, 161	4460265 293, 295, 319	4460761 281, 285, 325	4740413.....159
4060805.....89, 141, 143, 171, 173	4460267 ... 297, 301, 303, 305, 323, 377	4460805 79, 83	4750600.. 19, 23, 27, 197, 201
4060808.....171, 173	4460268 297, 299	4460807 305	475080097, 99, 101, 121, 197, 201
4060865.....137	4460315 297	4460808 305	4751000.24, 91, 139, 183
4061032.....262	4460320 291, 297, 377	4460809 305	4751400.. 89, 91, 93, 141, 143, 149, 159, 171, 173, 191, 193, 195, 335, 337, 339, 341, 343, 345, 347, 393, 395, 397, 399, 401, 403, 405, 407, 409, 411, 413, 415, 417, 419, 421, 423
4070897.....161	4460321 ... 277, 279, 285, 297, 301, 303, 323, 325	4460836 295	4751500.... 19, 23, 27, 71, 73, 75, 141, 143, 147, 155, 163, 171, 173
4070898.....161	4460326 277, 297	4460837 295	4751600..51, 53, 89, 123, 125, 127, 129, 131, 147, 149, 155, 157, 159, 193, 195
4070982.....161	4460343 297	4460884 291	4751800..71, 73, 75, 141, 143
4100025.....147	4460346 329	4460891 375	4760600.. 19, 23, 27, 329, 333
4100026.... 123, 254, 258, 262	4460418 293, 317, 321	4460897 377	4761000.....183
4100067.....173	4460419 293, 317, 321	4460930 287	4761400.... 159, 161, 191
4120035.....319	4460424 281, 283, 299	4460931 281, 283	4761600.... 125, 127, 129, 131, 149, 159
4130350.....17	4460425 ... 125, 127, 129, 131, 295, 297	4460956 357	4761800..... 159, 161
4130351.....15	4460426 89	4460957 357	4811400.... 335, 337, 339, 341, 343, 345, 347
4240032.... 197, 201, 207, 293, 295, 297, 299, 319, 321	4460428 ... 77, 79, 81, 83, 85, 87, 197, 201	4460968 ... 313, 315, 341, 343, 345, 347	4811700.... 185, 187, 189
4240033.... 123, 269, 293, 295, 297, 321	4460434 ... 281, 283, 293, 295, 321	4461196 367, 385	4844304..... 155
4240084..... 19, 23, 27	4460444 269	4461198 367	4844427..... 155, 157
4240099..... 171, 173	4460458 281, 283, 295	4461199 369, 387	4844467..... 155, 157
4240175.....121	4460464 ... 215, 217, 281, 283, 287, 311, 321, 323, 377	4461201 369	
4300140..... 171, 173	4460465 ... 291, 295, 297, 299, 303, 307, 309, 375	4461202 361, 371, 379	
4341072.....147	4460466 281, 283, 291	4461202 361, 371, 379	
4360070.... 125, 127, 129, 131, 426	4460488 197, 201	4461205 363, 373, 381	
4360274..... 133, 426	4460495 ... 125, 127, 129, 131	4461244 361	
4360328.... 125, 127, 129, 131, 207, 426	4460496 ... 125, 127, 129, 131, 197, 201	4461245 363	
4360330.... 125, 127, 129, 131, 426	4460497 ... 125, 127, 129, 131, 197, 201	4461246 365	
4360336.....217, 426	4460508 287	4461249 365, 383	
4360387..... 197, 201, 426	4460509 281, 283	4520209 37, 39	
4360448..... 197, 426	4460634 319	4520269 41, 45, 47	
4360462..... 197, 201		4520279 41	
4360469.... 125, 129, 426		4520282 47	
4360470.... 127, 131, 426		4566027 247	
4360475.... 125, 127, 129, 131, 197, 201, 426		4566188 253	
4360476.... 125, 127, 129, 131, 197, 201, 426		4566243 171, 173	
4360548.... 313, 315, 426		4566356 155, 157	
4400417..... 123		4566432 223, 225	
4420051.....397, 399		4566435 227, 229	
		4566623 253	
		4567177 231	
		4567704 245	
		4567908 233	
		4567946 257, 261	
		4568114 19, 23, 27	
		4640509 239, 243	
		4640634 ... 223, 225, 227, 229	
		4640709 249	
		4640771 249	

PART NUMBER INDEX

4844579	159	70000308	151	70002903.....	215	7012967	69
4845925	163	70000309	151	70002904.....	215	7012972	69
4846026	157	70000310	151	70002905.....	215	7012975	103
4846033	161	70000311	151	70003171.....	57	7012995	103
4846278	163	70000312	151	70003341.....	221	7012998	69, 103
4846307	155, 157	70000313	151, 426	70003557.....	151	7016177	71, 75
4846608	169	70000314	151	70003618.....	151	7016272	375
4860191 ...	37, 39, 41, 45, 47	70000315	151	70003619.....	151	7016319	375
4891500	117	70000316	151	70003819.....	237, 241	7017007	32
4891600	169	70000317	151	70003833.....	243	7017009	31
4891800	13	70000318	151, 426	70003836.....	243	7017022	31
4892000 ..	19, 23, 27, 113	70000319	151, 426	70003843.....	237	7017120	165, 167
4920385	147	70000320	151	70003844.....	237	7017121	165, 167
4922060	321	70000321	151	70003845.....	237, 241	7017122	165, 167
4922071	323	70000322	151	70003846.....	241	7017123	165, 167
4922073	297, 299	70000323	151	70003847.....	241	7017126	165, 167
4922103 ..	19, 23, 27, 269	70000324	151	70003863.....	243	7017127	165, 167
4922104	297	70000325	152	70003864.....	243	7017153	165
4922117	303	70000326	152, 426	70004019.....	103	7017172	165, 167
4922160	325	70000327	152	70004130.....	235	7017192	165, 167
4922178	171, 307	70000328	152	70004131.....	239	7017196	165, 167
4922179	171, 173, 311	70000329	152, 426	70004141.....	235, 239	7017246	221
4922222	217	70000330	152, 426	70004142.....	235, 239	7017247	221
4922223	217	70000341	165, 167	70004143.....	235, 239	7017248	221
4922263	301	70000381	104	70004144.....	235	7017249	221
4922294	207, 317	70000382	152	70004145.....	235	7017250	221
4922319	133, 305	70000739	235, 239	70004146.....	239	7017251	221
4922367	295	70000740	239	70004147.....	239	7017252	221
4922390	89, 289	70000865	117	70004159.....	117	7017402	69, 103, 109
4922552	173, 309	70000967	151	70004265.....	151	7017406	104
4922607	329, 333, 349	70001052	277	70004394.....	152	7017410	103
4922608	329, 333, 353	70001121	151	7001630.....	221	7017418	103
4922609 ...	331, 335, 337, 339, 341, 343, 345, 347, 351	70001144	151	70023094.....	235, 239	7017421	103
4922610 ...	331, 335, 337, 339, 341, 343, 345, 347, 355	70001366	31	70024262.....	239	7017433	69, 103
4922613	175, 315	70001367	31	7004035.....	115	7017452	103, 109
4922614	175, 313	70001368	31, 32	7004036.....	115	7017466	107
4923625	293	70001369	31	7004043.....	115	7017488	69
4933060	197, 266	70001370	31	7004044.....	115	7017496	103, 107
4933181	266	70001371	31	7004045.....	115	7019609	35
4933388 ...	125, 127, 129, 131, 266	70001372	31	7004047.....	115	7019698	159, 426
70000088	115	70001373	31	7004049.....	115	7019699	159
70000089	115	70001374	31	7007640.....	31	7020035	15, 17
70000289	152	70001375	31	7007900.....	19, 23, 27	7020036	15, 17
70000290	151	70001376	31	7007913.....	19, 23, 27	7020037	15, 17
70000291	151	70001377	31	7007933.....	19, 23, 27	7020038	15, 17
70000292	151	70001378	31	7007977.....	19, 23, 27	7020039	15, 17
70000293	151	70001379	31	7010542.....	69	7020040	15, 17
70000294	151	70001380	32	7010543.....	69, 103	7020041	15, 17
70000295	151	70001876	103	7011112.....	239, 241	7020042	15, 17
70000296	151	70001961	57	7011323.....	165, 167	7020054	15, 17
70000297	151	70001996	161, 426	7011376....	223, 225, 227, 229	7020055	15, 17
70000298	151	70001998	161, 426	7011609.....	103	7020137	15, 17
70000299	151	70002083	151	7011716.....	19, 23, 27	7020140	15, 17
70000300	151	70002206	115	7011757.....	19, 23, 27	7020149	35
70000301	151	70002207	115	7012518.....	69, 103	7020150	35
70000302	151	70002216	237, 241	7012540.....	104	7020151	35
70000303	151	70002217	237, 241	7012545.....	35	7020175	197, 201
70000304	151	70002220	243	7012548.....	35	7020176	197, 201
70000305	151	70002223	243	7012549.....	35	7020179	123
70000306	151	70002244	151	7012549.....	35	7020184	35
70000307	151	70002408	19, 23, 27	7012903.....	103	7020185	35
		70002543	152	7012914.....	103	7020189	35
		70002544	151	7012941.....	69	7021318	57
		70002806	103	7012947.....	103	7021319	57
		70002807	109	7012953.....	103, 107	7021361	57
		7000281	31	7012959.....	107	7021367	57
		70002902	215	7012961.....	103	7021377	57

PART NUMBER INDEX

7021603.....	103	7022004.....	277	7024390.....	115	7026092.....	243
7021604.....	103	7022005.....	277, 279	7024453.....	115	7027350.....	117
7021609.....	69, 103, 109, 426	7022007.....	279	7024738.....	31	7027351.....	117
7021610.....	103, 426	7022008.....	279	7024741.....	31	7027352.....	117
7021611.....	69, 103	7022009.....	279	7024832.....	69	7027353.....	117
7021616.....	69, 426	7022010.....	279	7024844.....	241, 243	7027354.....	117
7021618.....	69, 103, 426	7022011.....	277	7024891.....	107	7027356.....	117
7021619.....	69	7022012.....	277	7026042.....	117	7027358.....	117
7021653.....	103, 109	7022391.....	69	7026043.....	117	7027359.....	117
7021659.....	69	7022394.....	103	7026068.....	243	7027360.....	117
7022000.....	277	7023318.....	115	7026082.....	237, 241	7027361.....	117
7022001.....	277	7024379.....	115	7026084.....	237, 241	7027363.....	117
7022002.....	277	7024380.....	115	7026088.....	243	7027900.....	165, 167
7022003.....	277	7024381.....	115	7026090.....	243	7027901.....	165, 167
		7024389.....	115	7026091.....	243	88521205.....	71, 73, 75



3121649



An Oshkosh Corporation Company

Corporate Office
JLG Industries, Inc.
1 JLG Drive
McConnellsburg PA. 17233-9533
USA

☎ (717) 485-5161

☎ (717) 485-6417

JLG Worldwide Locations

JLG Industries (Australia)
P.O. Box 5119
11 Bolwarra Road
Port Macquarie
N.S.W. 2444
Australia
☎ +61 2 65 811111
☎ +61 2 65 813058

JLG Latino Americana Ltda.
Rua Eng. Carlos Stevenson,
80-Suite 71
13092-310 Campinas-SP
Brazil
☎ +55 19 3295 0407
☎ +55 19 3295 1025

JLG Industries (UK) Ltd
Bentley House
Bentley Avenue
Middleton
Greater Manchester
M24 2GP - England
☎ +44 (0)161 654 1000
☎ +44 (0)161 654 1001

JLG France SAS
Z.I. de Baulieu
47400 Fauillet
France
☎ +33 (0)5 53 88 31 70
☎ +33 (0)5 53 88 31 79

JLG Deutschland GmbH
Max-Planck-Str. 21
D - 27721 Ritterhude - Ihlpohl
Germany
☎ +49 (0)421 69 350 20
☎ +49 (0)421 69 350 45

JLG Equipment Services Ltd.
Rm 1107 Landmark North
39 Lung Sum Avenue
Sheung Shui N. T.
Hong Kong
☎ (852) 2639 5783
☎ (852) 2639 5797

JLG Industries (Italia) s.r.l.
Via Po. 22
20010 Pregnana Milanese - MI
Italy
☎ +39 029 359 5210
☎ +39 029 359 5845

Oshkosh-JLG Singapore
Technology Equipment Pte Ltd
29 Tuas Ave 4,
Jurong Industrial Estate
Singapore, 639379
☎ +65-6591 9030
☎ +65-6591 9031

Plataformas Elevadoras
JLG Iberica, S.L.
Trapadella, 2
P.I. Castellbisbal Sur
08755 Castellbisbal, Barcelona
Spain
☎ +34 93 772 4700
☎ +34 93 771 1762

JLG Sverige AB
Enkopingsvagen 150
Box 704
SE - 176 27 Jarfalla
Sweden
☎ +46 (0)850 659 500
☎ +46 (0)850 659 534

www.jlg.com